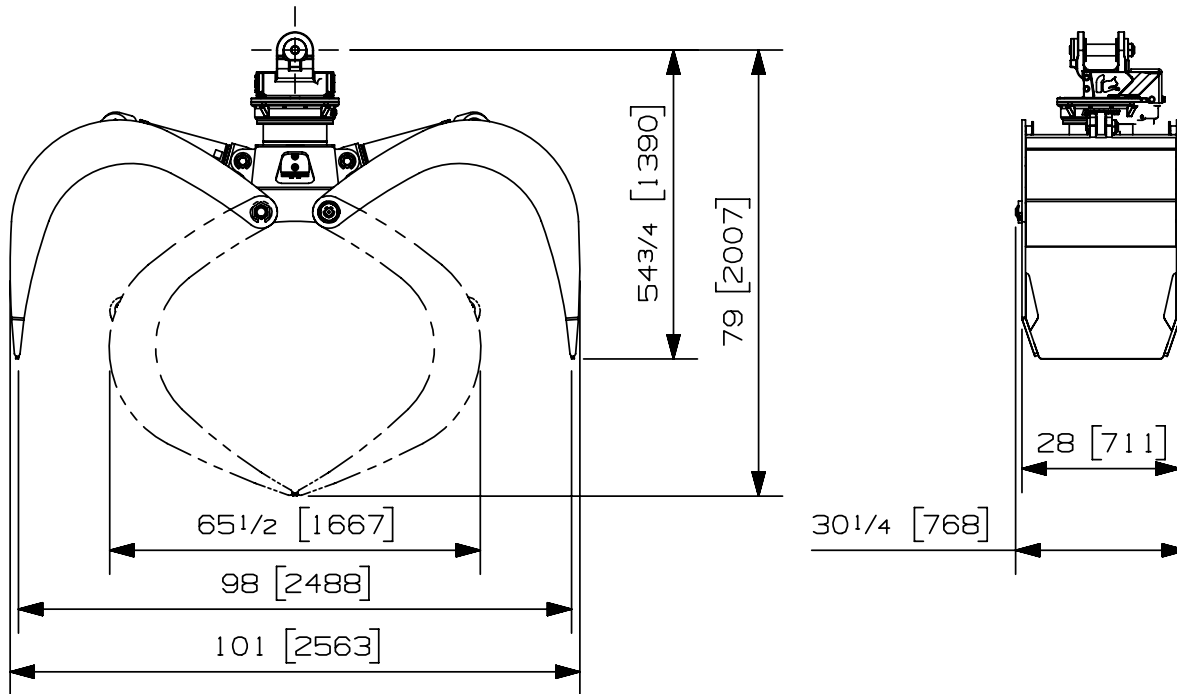


Max load:	n/a lb	n/a kg
Volume:	.67 Cord of 8'	2.43 m ³
Area tip to tip:	10.76 ft ²	1.00 m ²
Rotator lifting capacity:	50000 lb	22680 kg
Torque at relief pressure:	18630 lb-in	2105 Nm
	1450 psi	100 bars
Weight:	1905 lb	864 kg

Rotator	Maximum pressure: 5000 psi 345 bars	Recommended flow: 9 gpm 34 l/min
Rotator recommended flow will produce a speed of 25 rpm		

Cylinder	Diameter	Recommended pressure	Pressure range	Flow range	Lock valves
Standard	3 1/2 " (89 mm)	3800 psi (262 bars)	3100-4500 psi (214-310 bars)	15-22 gpm (57-83 l/min.)	no
Standard	4 1/2 " (114 mm)	2500 psi (173 bars)	2000-3000 psi (138-207 bars)	26-39 gpm (98-148 l/min.)	no

Grapple cylinder maximum flow will theoretically produce a complete grapple open/close cycle in 4 seconds.



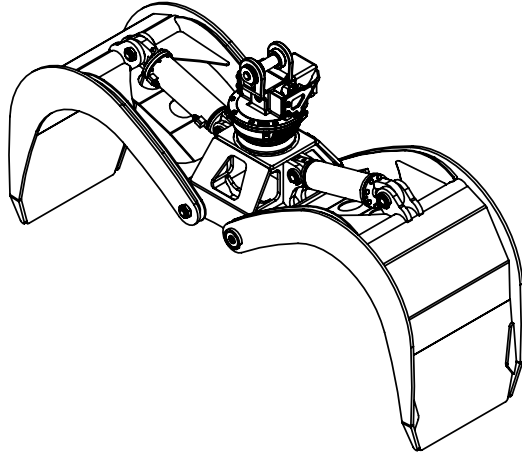
Options:

- Leveling plate (170 lbs / 75 kg)
- Optional holding chain (150 lbs / 68 kg)
- Synchro gear (156 lbs / 69 kg)
- Impact protection relief valve

web site: www.rotobec.com

email: rotobec@rotobec.com

Rotobec Inc.: Head office serving OEM's and Eastern Canada Ph: (418) 383-3002 Fax: (418) 383-5334
Rotobec West: Branch serving Western Canada and Western USA Ph: (250) 765-1161 Fax: (250) 765-0035
Rotobec USA: Branch serving Eastern and Central USA Ph: (603) 444-2103 Fax: (603) 444-0327

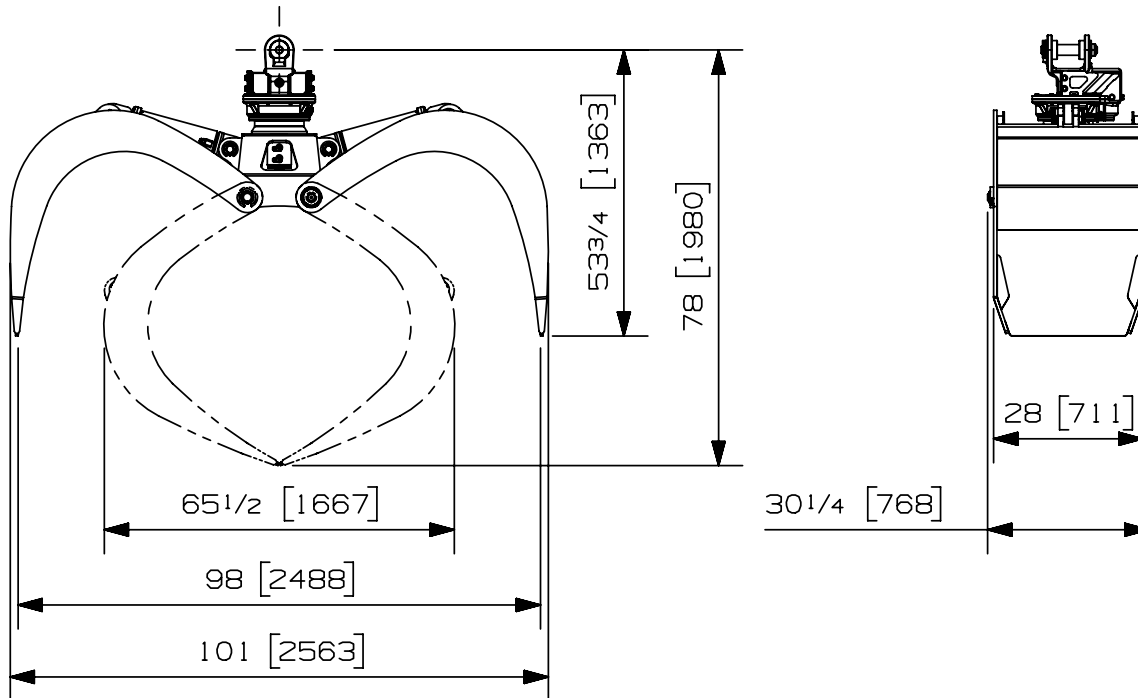


Max load:	n/a lb	n/a kg
Volume:	.67 cord of 8 ft	2.43 m ³
Area tip to tip:	10.76 ft ²	1.00 m ²
Rotator lifting capacity:	32000 lb	14515 kg
Torque at relief pressure:	16150 lb-in	1825 Nm
	1450 psi	100 bars
Weight:	1760 lb	798 kg

Rotator	Maximum pressure: 5000 psi 345 bars	Recommended flow: 9 gpm 34 l/min
Rotator recommended flow will produce a speed of 30 rpm		

Cylinder	Diameter	Recommended pressure	Pressure range	Flow range	Lock valves
Standard	3 1/2 " (89 mm)	3800 psi (262 bars)	3100-4500 psi (214-310 bars)	15-22 gpm (57-83 l/min.)	no
Standard	4 1/2 " (114 mm)	2500 psi (173 bars)	2000-3000 psi (138-207 bars)	26-39 gpm (98-148 l/min.)	no

Grapple cylinder maximum flow will theoretically produce a complete grapple open/close cycle in 4 seconds.



Options:

- Leveling plate (170 lbs / 75 kg)
- Optional holding chain (150 lbs / 68 kg)
- Synchro gear (156 lbs / 71 kg)
- Impact protection relief valve

web site: www.rotobec.com

email: rotobec@rotobec.com

Rotobec Inc.: Head office serving OEM's and Eastern Canada Ph: (418) 383-3002 Fax: (418) 383-5334
Rotobec West: Branch serving Western Canada and Western USA Ph: (250) 765-1161 Fax: (250) 765-0035
Rotobec USA: Branch serving Eastern and Central USA Ph: (603) 444-2103 Fax: (603) 444-0327