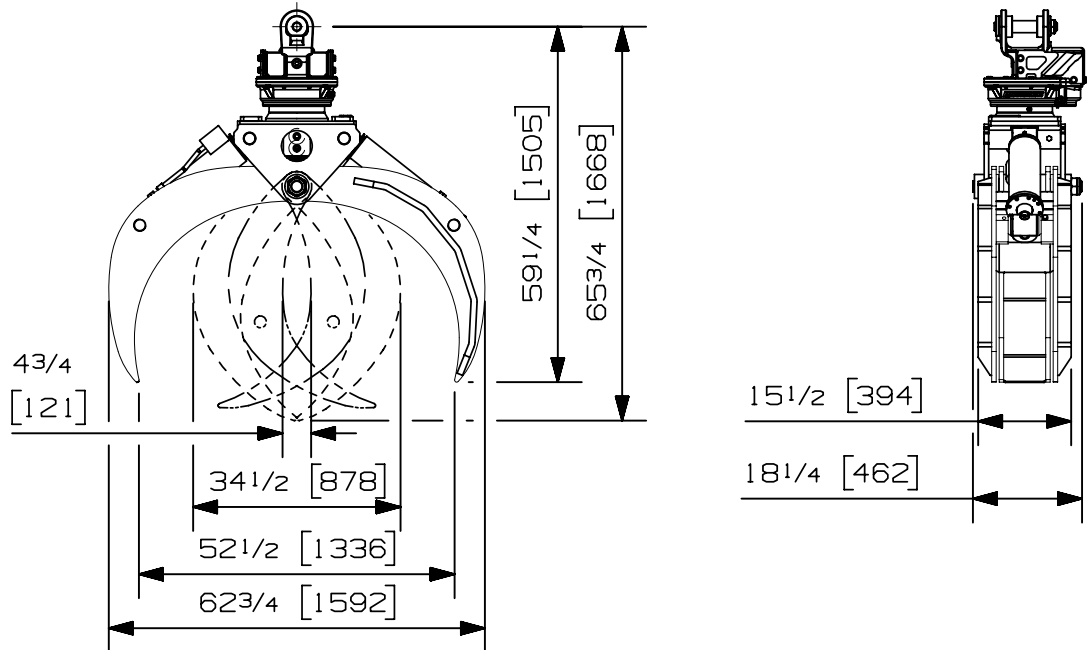


<b>Max load:</b>	n/a lb	n/a kg
<b>Volume:</b>	.19 cord of 8 ft.	.69 m <sup>3</sup>
<b>Area tip to tip:</b>	3.06 ft <sup>2</sup>	.28 m <sup>2</sup>
<b>Rotator lifting capacity:</b>	32000 lb	14515 kg
<b>Torque at relief pressure:</b>	12920 lb-in	1460 Nm
	1160 psi	80 bars
<b>Weight:</b>	1225 lb	556 kg

<b>Rotator</b>	<b>Maximum pressure:</b> 5000 psi    345 bars	<b>Recommended flow:</b> 9 gpm    34 l/min
Rotator recommended flow will produce a speed of 30 rpm		

Cylinder	Diameter	Recommended pressure	Pressure range	Flow range	Lock valves
Standard	4 1/2 " (114 mm)	2500 psi (172 bars)	2000-3000 psi (138-207 bars)	21-30 gpm (79-114 l/min.)	yes
Standard	3 1/2 " (89 mm)	3800 psi (262 bars)	3100-4500 psi (214-310 bars)	11-16 gpm (42-61 l/min.)	yes
Optional	4 1/2 " (114 mm)	2500 psi (172 bars)	2000-3000 psi (138-207 bars)	21-30 gpm (79-114 l/min.)	no
Optional	3 1/2 " (89 mm)	3800 psi (262 bars)	3100-4500 psi (214-310 bars)	11-16 gpm (42-61 l/min.)	no
Optional	4 " (102 mm)	2750 psi (190 bars)	2500-3000 psi (172-207 bars)	16-23 gpm (61-87 l/min.)	no

Grapple cylinder maximum flow will theoretically produce a complete grapple open/close cycle in 5 seconds.



- Options:
- Head protector ( n/a lb / n/a kg ).
  - Log protection package, including shaft on jaw tips and protection strips on jaw edges. (75 lb / 34 kg).
  - Shaft on jaw tips to prevent log damage.
  - Impact protection relief valve.

web site: [www.rotobec.com](http://www.rotobec.com)      email: [rotobec@rotobec.com](mailto:rotobec@rotobec.com)

**Rotobec Inc.:** Head office serving OEM's and Eastern Canada    Ph: (418) 383-3002 Fax: (418) 383-5334  
**Rotobec West:** Branch serving Western Canada and Western USA    Ph: (250) 765-1161 Fax: (250) 765-0035  
**Rotobec USA:** Branch serving Eastern and Central USA    Ph: (603) 444-2103 Fax: (603) 444-0327

We reserve the right to change specifications and to improve our products without notice or obligation.