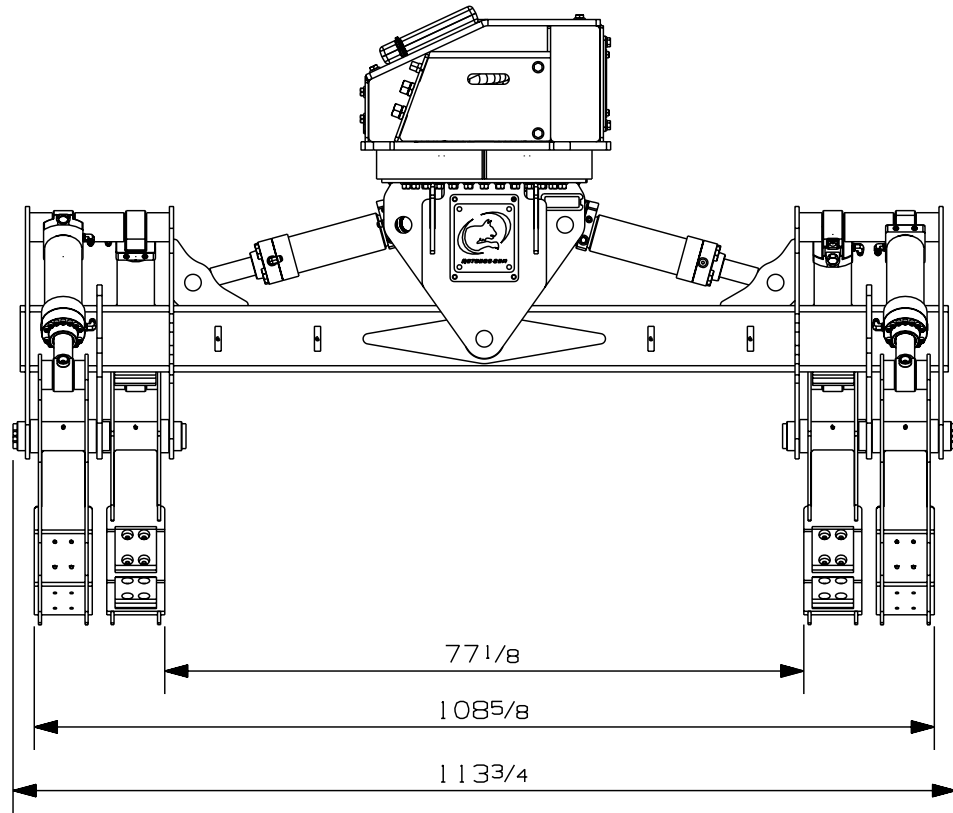
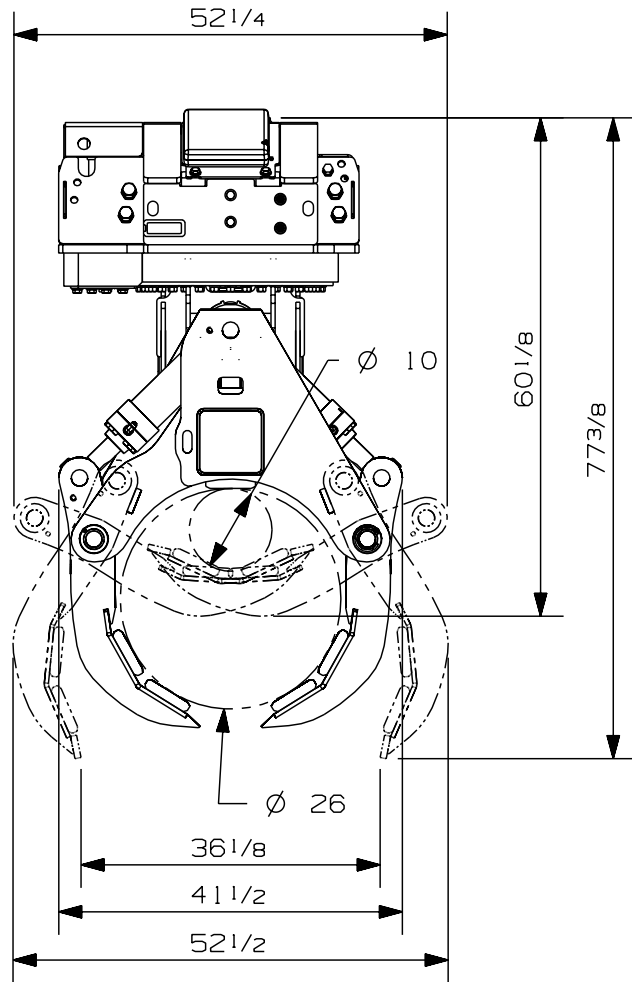


GRAPPIN A TUYAU PH2610-RGP904  
PIPE GRAPPLE



SPECIFICATION TECHNIQUE  
TECHNICAL DATA

DIAM. DE TUYAU:  
PIPE DIAM.:

DE /FROM Ø 10"  
A/TO Ø 26"

ANGLE DE BASCULEMENT DU GRAPPIN: 30° (15° HAUT/UP)  
GRAPPLE TILT ANGLE: (15° BAS/DOWN)

POIDS:  
WEIGHT:

3420 LBS

DIA. DU CYLINDRE:  
CYLINDER DIAMETER:

3.5 Po/in

PRESSION MAXIMUM:  
MAXIMUM PRESSURE:

5000 PSI

DEBIT MAXIMUM:  
MAXIMUM FLOW:

30 GPM

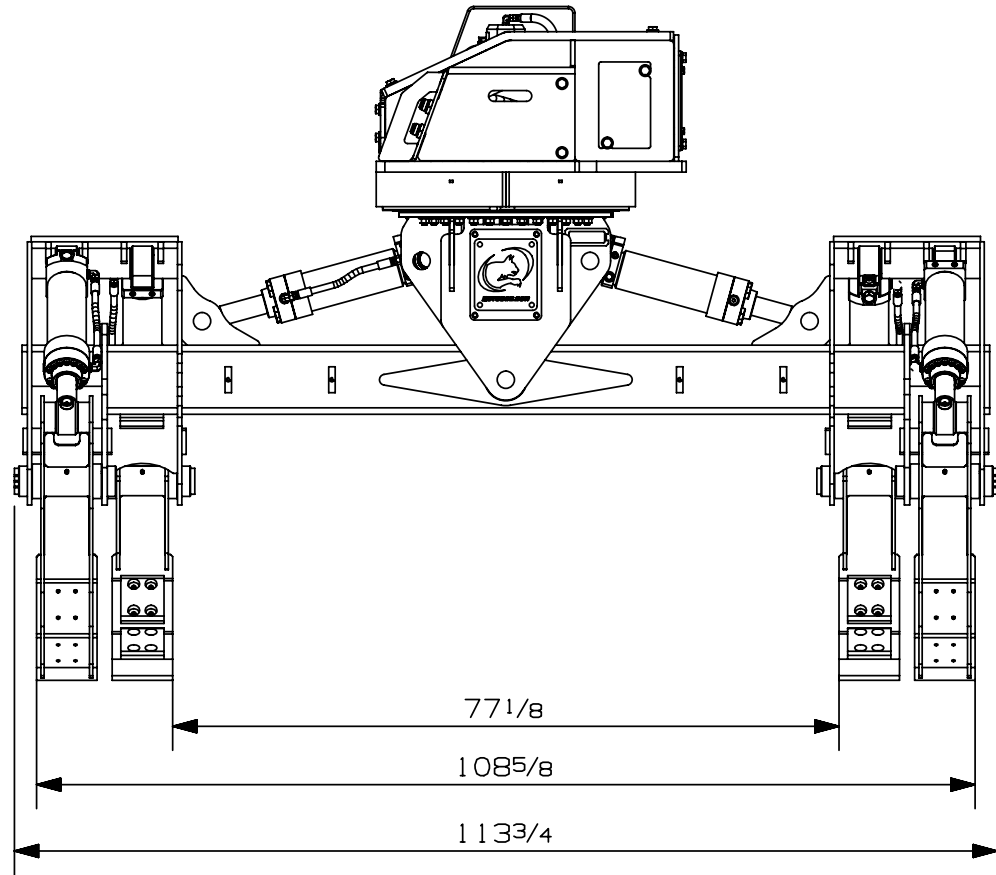
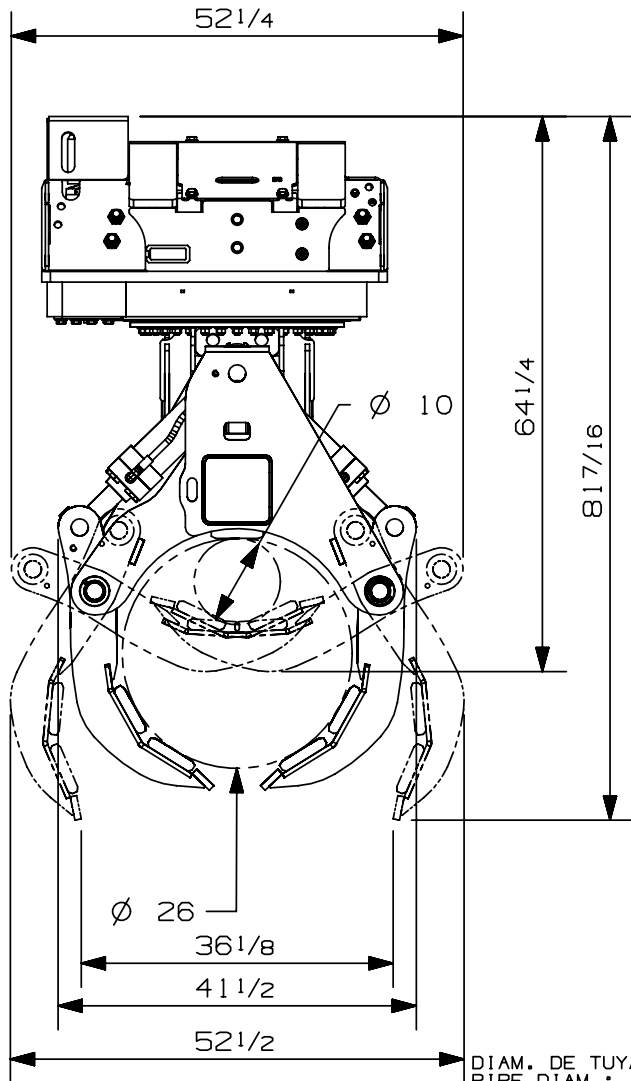
CAPACITE:  
CAPACITY:

20000 LBS



**ROTOBEC™**

# GRAPPIN A TUYAU PH2610-RGP1304A-3 PIPE GRAPPLE



DIAM. DE TUYAU:  
PIPE DIAM.:

DE /FROM Ø 10"  
A/TO Ø 26"

ANGLE DE BASCULEMENT DU GRAPPIN: 30° (15° HAUT/UP)  
GRAPPLE TILT ANGLE: (15° BAS/DOWN)

POIDS: 3821 LB  
WEIGHT:

DIA. DU CYLINDRE: 3.5 Po/in  
CYLINDER DIAMETER:

PRESSION MAXIMUM: 5000 PSI  
MAXIMUM PRESSURE:

DEBIT MAXIMUM: 30 GPM  
MAXIMUM FLOW:

CAPACITE DE LEVAGE MAXIMUM: 20000 LBS  
MAXIMUM LIFTING CAPACITY:

## SPECIFICATION TECHNIQUE TECHNICAL DATA



# ROTOBEC™