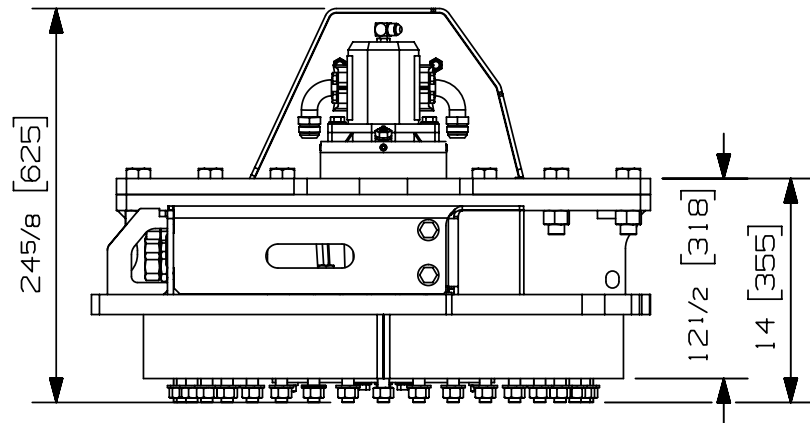
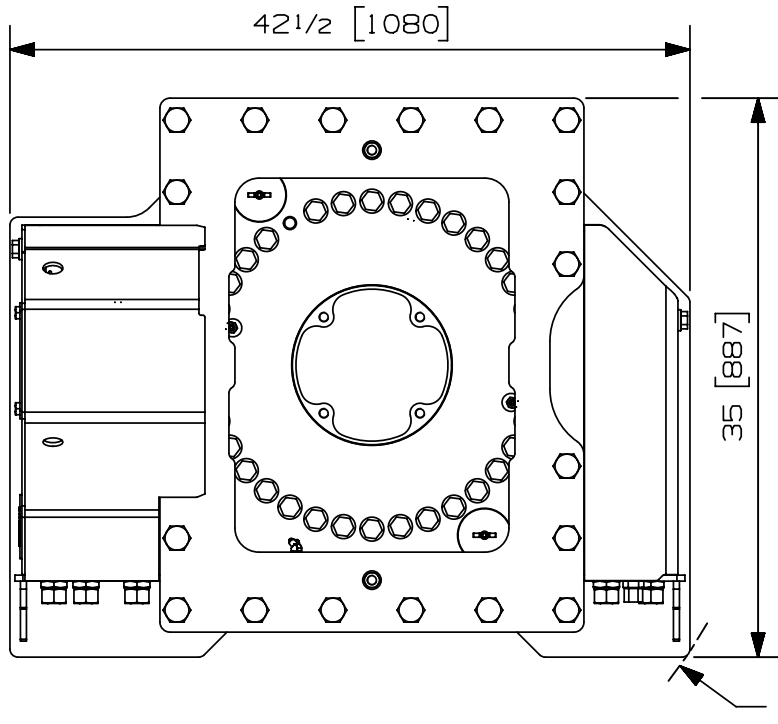


Rotator type:	Continuous	
Maximum lift capacity:	130000 lb	58967 kg
Torque at relief pressure:	176750 lb-in	19970 Nm
	2200 psi	152 bars
Speed at recommended flow:	15 rpm	
Recommended flow to motor:	33 gpm	125 l/min
Maximum pressure to motor:	5000 psi	345 bars
Maximum pressure to collector:	5000 psi	345 bars
Rotator motor inlet ports:	2 X 16 JIC	
Attachment inlet ports:	2 X 16 JIC	
Attachment outlet ports:	4 X ORB - 2 X 12 ORB	
Additional inlet ports:	1 X 10 JIC	
Weight:	1575 lb *	714 kg



\* WEIGHT INCLUDING LUGGING BASE PLATE AND WITHOUT VOS OPTION

Options:

- Custom bolt-on lugging (565 lbs/ 256 kg)
- Float on swing motor (9 lbs/ 4 kg)
- 2 functions valve on swivel (add 120 lbs/ 55 kg)
- 3 functions valve on swivel (add 90 lbs/ 41 kg)
- Positioning cylinder kit, including bracket (400 lbs/ 181 kg)
- Installation kit

web site: [www.rotobec.com](http://www.rotobec.com)

email: [rotobec@rotobec.com](mailto:rotobec@rotobec.com)

**Rotobec Inc.:** Head office serving OEM's and Eastern Canada Ph: (418) 383-3002 Fax: (418) 383-5334  
**Rotobec West:** Branch serving Western Canada and Western USA Ph: (250) 765-1161 Fax: (250) 765-0035  
**Rotobec USA:** Branch serving Eastern and Central USA Ph: (603) 444-2103 Fax: (603) 444-0327

We reserve the right to change specifications and to improve our products without notice or obligation.

07003-9209  
14/08/17 D.L.