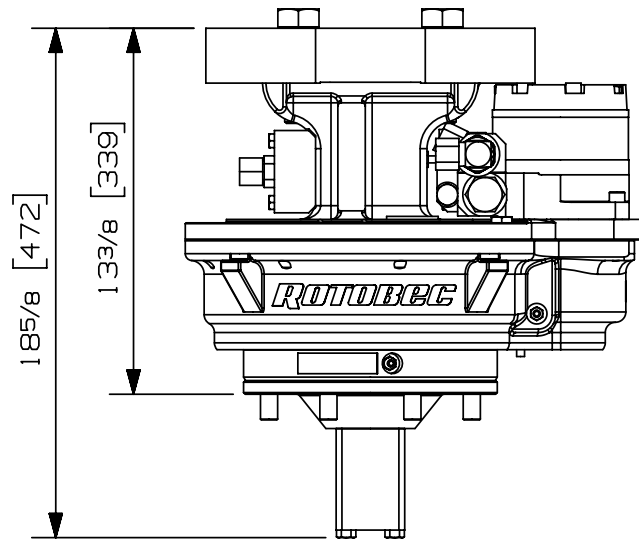
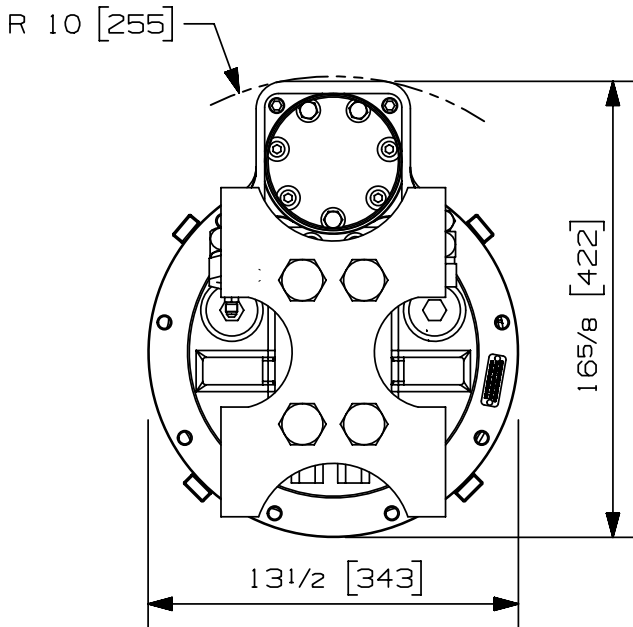


Rotator type:	Continuous	
Maximum lift capacity:	25000 lb	11340 kg
Torque at relief pressure:	15720 lb-in	1776 Nm
	913 psi	63 bars
Speed at recommended flow:	21 rpm	
Recommended flow to motor:	10 gpm	38 l/min
Maximum pressure to motor:	4200 psi	290 bars
Maximum pressure to collector:	4200 psi	290 bars
Rotator motor inlet ports:	2 X 10 JIC	
Attachment inlet ports:	2 X 10 JIC	
Attachment outlet ports:	4 X 08 JIC	
Additional inlet ports:	1 X 06 JIC	
Weight:	285 lb *	129 kg



* WEIGHT INCLUDING LUGGING BASE PLATE

Options:

- Custom bolt-on lugging (75 lbs/ 34 kg)
- Selector valve (20 lbs/ 9 kg)
- Valve option on boom base (95 lbs/ 43 kg)

web site: www.rotobec.com

email: rotobec@rotobec.com

Rotobec Inc.: Head office serving OEM's and Eastern Canada Ph: (418) 383-3002 Fax: (418) 383-5334
Rotobec West: Branch serving Western Canada and Western USA Ph: (250) 765-1161 Fax: (250) 765-0035
Rotobec USA: Branch serving Eastern and Central USA Ph: (603) 444-2103 Fax: (603) 444-0327

We reserve the right to change specifications and to improve our products without notice or obligation.

07000-5884
14/08/17 D.L.