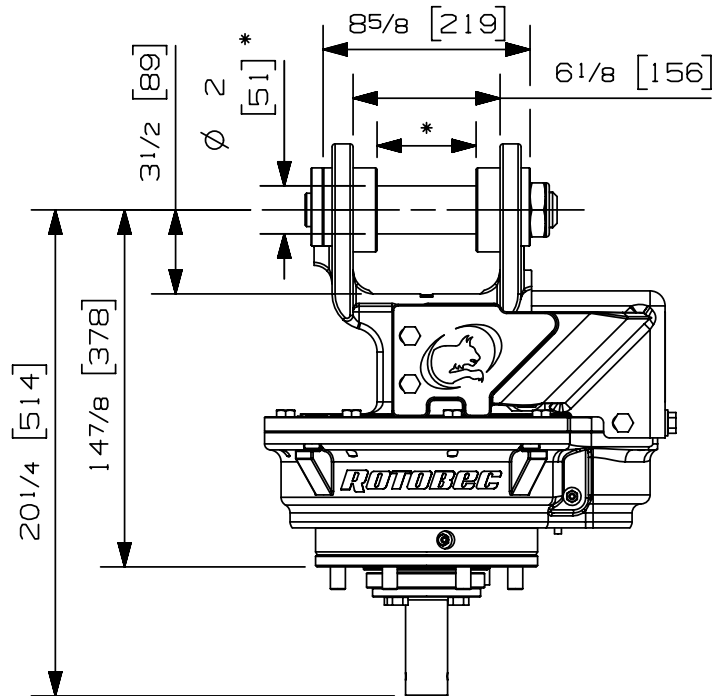
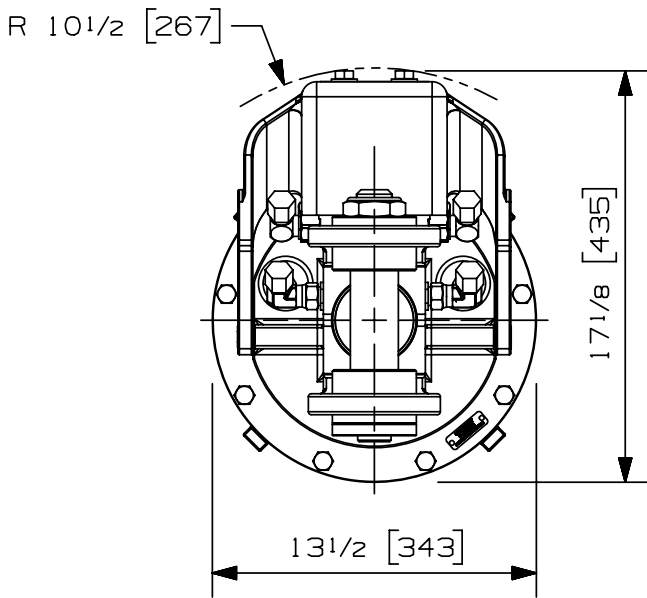


| | | |
|--------------------------------|-------------|----------|
| Rotator type: | Continuous | |
| Maximum lift capacity: | 25000 lb | 11340 kg |
| Torque at relief pressure: | 16150 lb-in | 1825 Nm |
| | 1450 psi | 100 bars |
| Speed at recommended flow: | 30 rpm | |
| Recommended flow to motor: | 9 gpm | 34 l/min |
| Maximum pressure to motor: | 5000 psi | 345 bars |
| Maximum pressure to collector: | 5000 psi | 345 bars |
| Rotator motor inlet ports: | 2 X 10 JIC | |
| Attachment inlet ports: | 2 X 10 JIC | |
| Attachment outlet ports: | 4 X 08 ORB | |
| Additional inlet ports: | N/A | |
| Weight: | 270 lb | 122 kg |



* SOME DIMENSIONS ARE AVAILABLE

Options:

-
-
-
-

web site: www.rotobec.com

email: rotobec@rotobec.com

Rotobec Inc.: Head office serving OEM's and Eastern Canada Ph: (418) 383-3002 Fax: (418) 383-5334
Rotobec West: Branch serving Western Canada and Western USA Ph: (250) 765-1161 Fax: (250) 765-0035
Rotobec USA: Branch serving Eastern and Central USA Ph: (603) 444-2103 Fax: (603) 444-0327