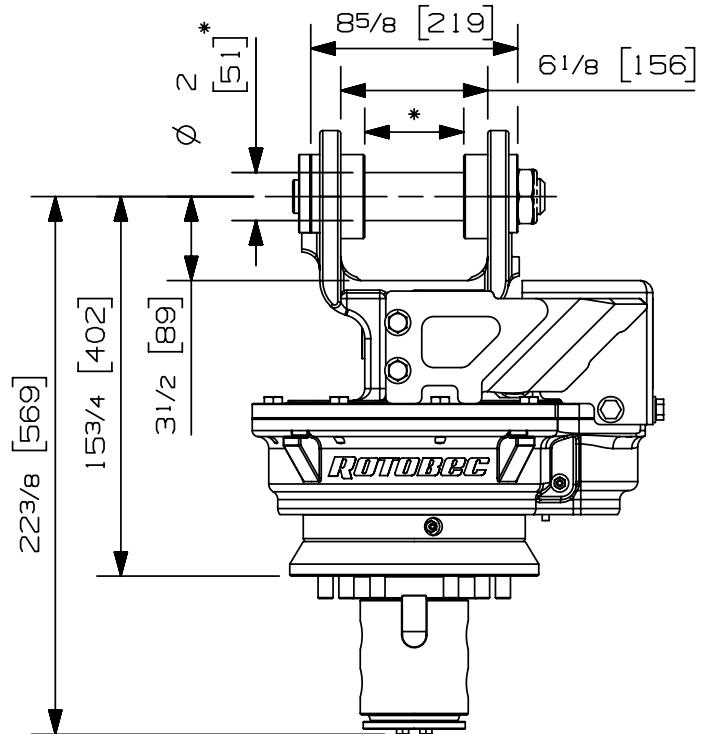
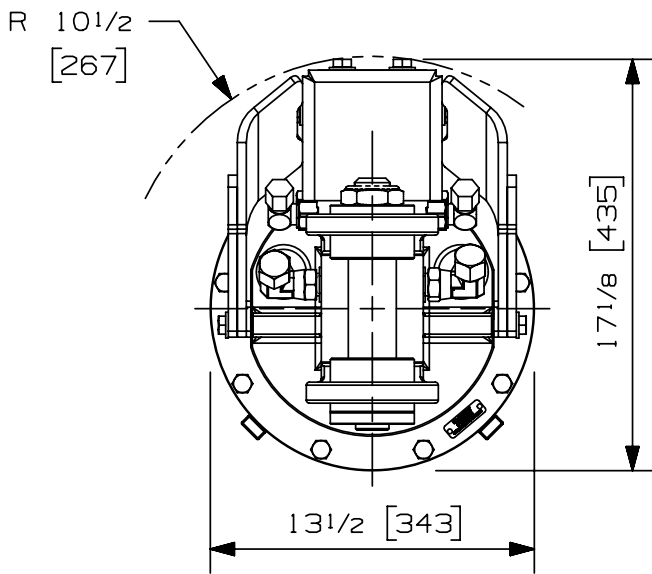


Rotator type:	Continuous	
Maximum lift capacity:	32000 lb	14515 kg
Torque at relief pressure:	12920 lb-in	1460 Nm
	1160 psi	80 bars
Speed at recommended flow:	30 rpm	
Recommended flow to motor:	9 gpm	34 l/min
Maximum pressure to motor:	5000 psi	345 bars
Maximum pressure to collector:	5000 psi	345 bars
Rotator motor inlet ports:	2 X 10 JIC	
Attachment inlet ports:	2 X 10 JIC	
Attachment outlet ports:	4 X 08 ORB	
Additional inlet ports:	N/A	
Weight:	315 lb	143 kg



\* SOME DIMENSIONS ARE AVAILABLE

Options:

- 
- 
- 
- 

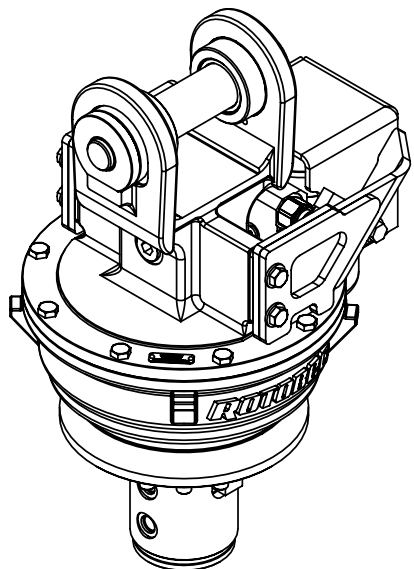
web site: [www.rotobec.com](http://www.rotobec.com)

email: [rotobec@rotobec.com](mailto:rotobec@rotobec.com)

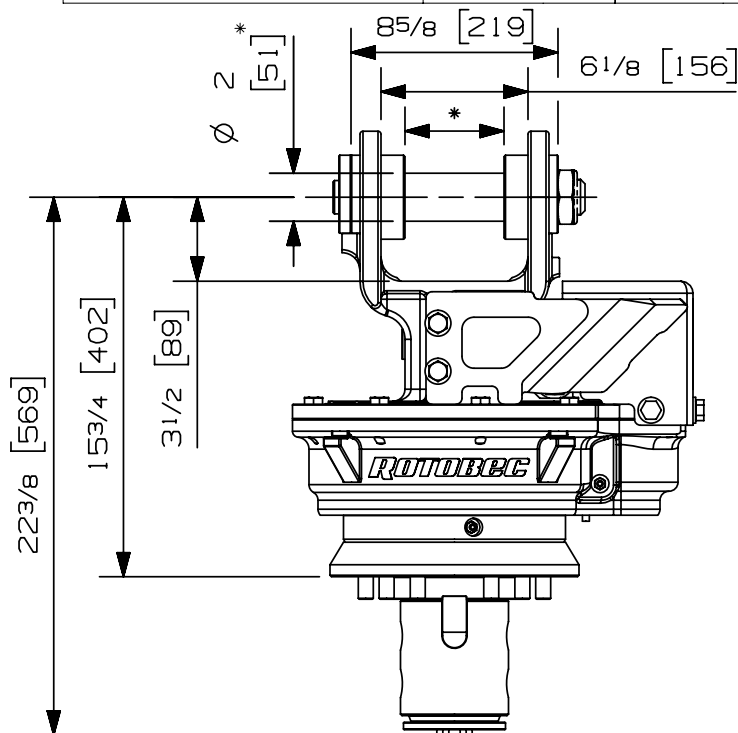
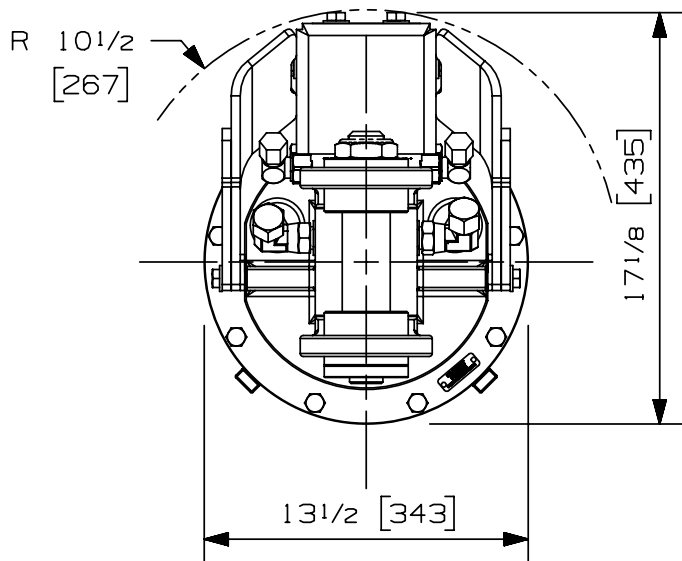
**Rotobec Inc.:** Head office serving OEM's and Eastern Canada Ph: (418) 383-3002 Fax: (418) 383-5334  
**Rotobec West:** Branch serving Western Canada and Western USA Ph: (250) 765-1161 Fax: (250) 765-0035  
**Rotobec USA:** Branch serving Eastern and Central USA Ph: (603) 444-2103 Fax: (603) 444-0327

We reserve the right to change specifications and to improve our products without notice or obligation.

07003-9294  
29/08/17 D.L.



Rotator type:	Continuous	
Maximum lift capacity:	32000 lb	14515 kg
Torque at relief pressure:	20160 lb-in	2278 Nm
	1810 psi	125 bars
Speed at recommended flow:	30 rpm	
Recommended flow to motor:	9 gpm	34 l/min
Maximum pressure to motor:	5000 psi	345 bars
Maximum pressure to collector:	5000 psi	345 bars
Rotator motor inlet ports:	2 X 10 JIC	
Attachment inlet ports:	2 X 10 JIC	
Attachment outlet ports:	4 X 08 ORB	
Additional inlet ports:	N/A	
Weight:	315 lb	143 kg



\* SOME DIMENSIONS ARE AVAILABLE

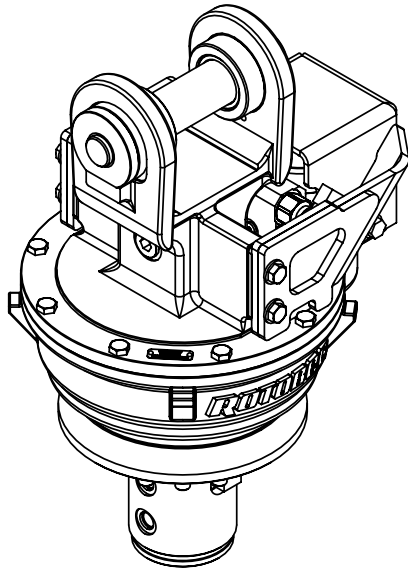
Options:

- 
- 
- 
- 

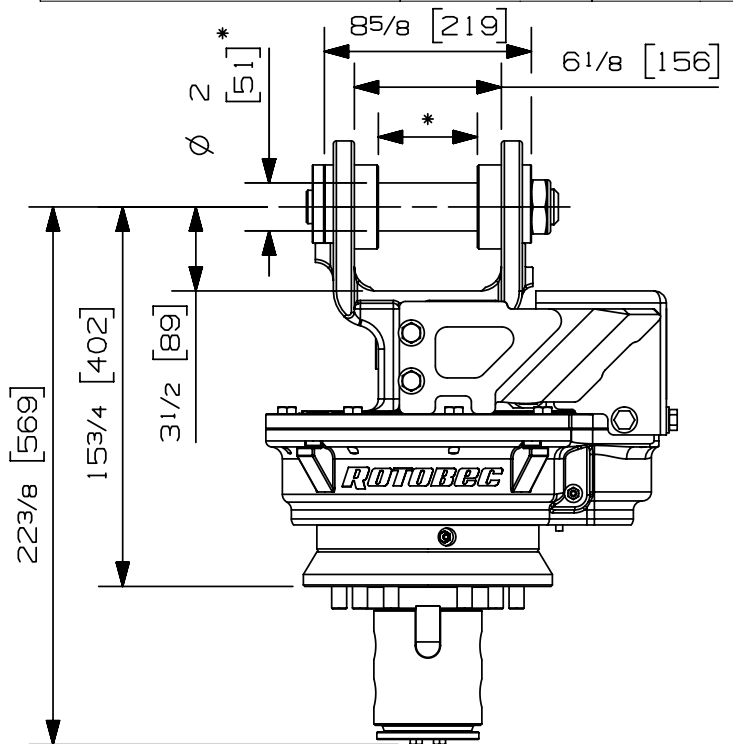
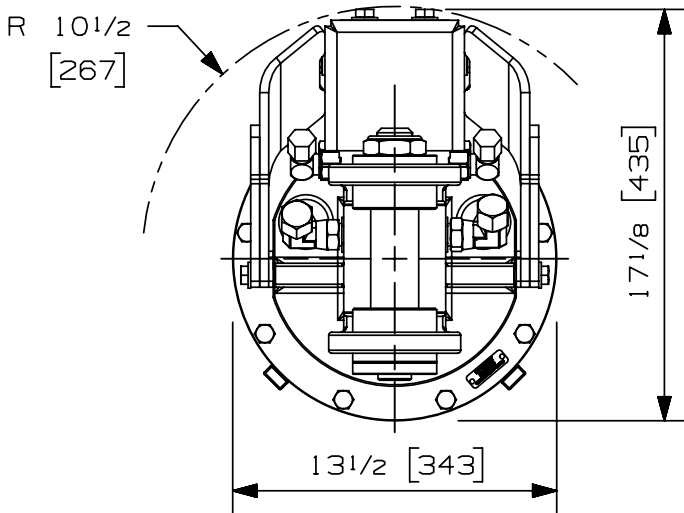
web site: [www.rotobec.com](http://www.rotobec.com)

email: [rotobec@rotobec.com](mailto:rotobec@rotobec.com)

**Rotobec Inc.:** Head office serving OEM's and Eastern Canada Ph: (418) 383-3002 Fax: (418) 383-5334  
**Rotobec West:** Branch serving Western Canada and Western USA Ph: (250) 765-1161 Fax: (250) 765-0035  
**Rotobec USA:** Branch serving Eastern and Central USA Ph: (603) 444-2103 Fax: (603) 444-0327



Rotator type:	Continuous	
Maximum lift capacity:	32000 lb	14515 kg
Torque at relief pressure:	16150 lb-in	1825 Nm
	1450 psi	100 bars
Speed at recommended flow:	30 rpm	
Recommended flow to motor:	9 gpm	34 l/min
Maximum pressure to motor:	5000 psi	345 bars
Maximum pressure to collector:	5000 psi	345 bars
Rotator motor inlet ports:	2 X 10 JIC	
Attachment inlet ports:	2 X 10 JIC	
Attachment outlet ports:	4 X 08 ORB	
Additional inlet ports:	N/A	
Weight:	315 lb	143 kg



\* SOME DIMENSIONS ARE AVAILABLE

Options:

- 
- 
- 
- 

web site: [www.rotobec.com](http://www.rotobec.com)

email: [rotobec@rotobec.com](mailto:rotobec@rotobec.com)

**Rotobec Inc.:** Head office serving OEM's and Eastern Canada Ph: (418) 383-3002 Fax: (418) 383-5334  
**Rotobec West:** Branch serving Western Canada and Western USA Ph: (250) 765-1161 Fax: (250) 765-0035  
**Rotobec USA:** Branch serving Eastern and Central USA Ph: (603) 444-2103 Fax: (603) 444-0327

We reserve the right to change specifications and to improve our products without notice or obligation.

07004-6346  
29/08/17 D.L.