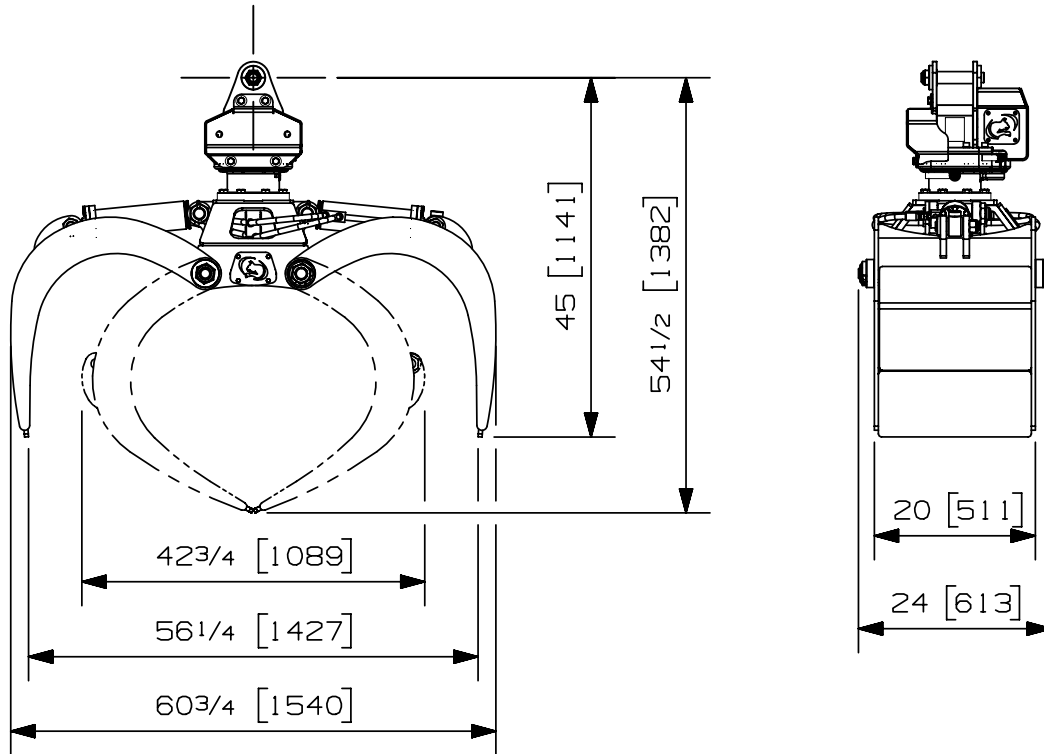


<b>Max load:</b>	- lb	- kg
<b>Volume:</b>	.27 cord of 8 ft	.98 m <sup>3</sup>
<b>Area tip to tip:</b>	4.31 ft <sup>2</sup>	.40 m <sup>2</sup>
<b>Rotator lifting capacity:</b>	14000 lb	6350 kg
<b>Torque at relief pressure:</b>	8450 lb-in	955 Nm
	913 psi	63 bars
<b>Weight:</b>	750 lb	340 kg

<b>Rotator</b>	<b>Maximum pressure:</b> 5000 psi    345 bars	<b>Recommended flow:</b> 8 gpm    30 l/min
Rotator recommended flow will produce a speed of 30 rpm		

Cylinder	Diameter	Recommended pressure	Pressure range	Flow range	Lock valves
Standard	3 " (76 mm)	3000 psi (207 bars)	2500-3500 psi (172-241 bars)	7-11 gpm (26-42 l/min.)	no

Grapple cylinder maximum flow will theoretically produce a complete grapple open/close cycle in 4 seconds.



Options:

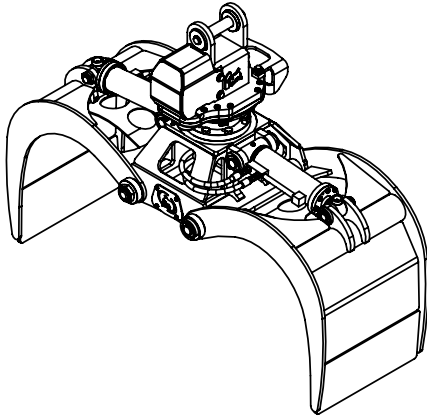
- Chaîne de retenue. (72 lb / 33 kg)
- Egalisateur (1 seul cote) (36 lb / 16 kg)
- 
- 

web site: [www.rotobec.com](http://www.rotobec.com)

email: [rotobec@rotobec.com](mailto:rotobec@rotobec.com)

**Rotobec Inc.:** Head office serving OEM's and Eastern Canada    Ph: (418) 383-3002 Fax: (418) 383-5334  
**Rotobec West:** Branch serving Western Canada and Western USA    Ph: (250) 765-1161 Fax: (250) 765-0035  
**Rotobec USA:** Branch serving Eastern and Central USA    Ph: (603) 444-2103 Fax: (603) 444-0327

We reserve the right to change specifications and to improve our products without notice or obligation.

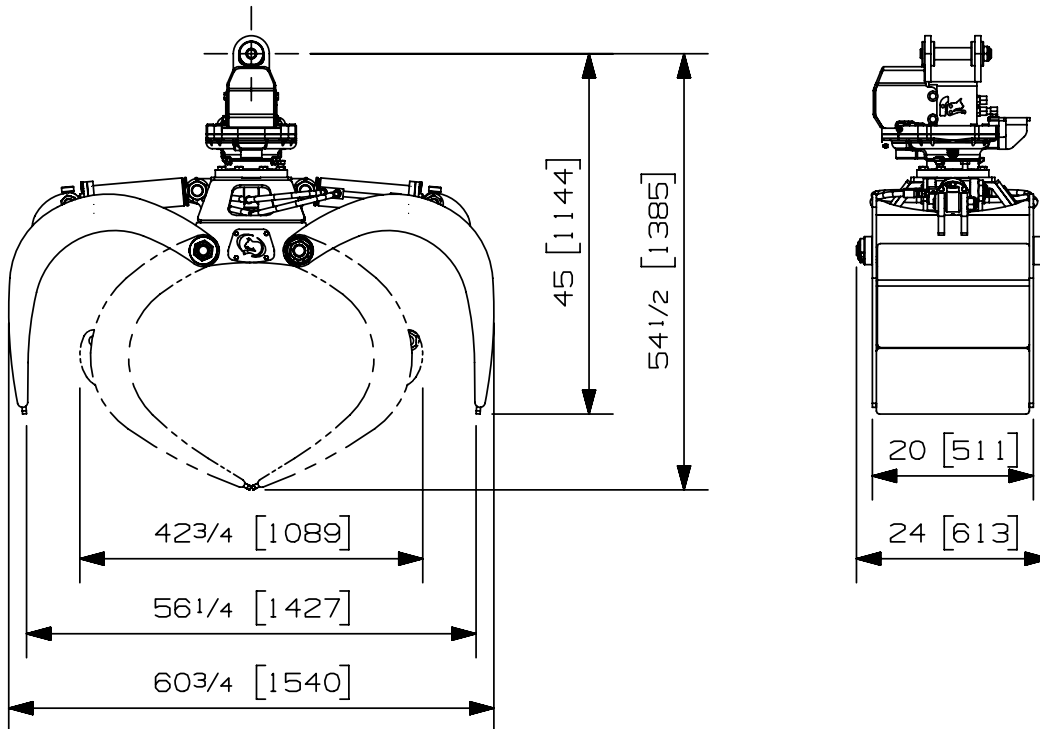


<b>Max load:</b>	n/a lb	n/a kg
<b>Volume:</b>	.27 cord of 8 ft	.98 m <sup>3</sup>
<b>Area tip to tip:</b>	4.31 ft <sup>2</sup>	.40 m <sup>2</sup>
<b>Rotator lifting capacity:</b>	22000 lb	9979 kg
<b>Torque at relief pressure:</b>	10700 lb-in	1209 Nm
	913 psi	63 bars
<b>Weight:</b>	770 lb	349 kg

<b>Rotator</b>	<b>Maximum pressure:</b> 5000 psi    345 bars	<b>Recommended flow:</b> 10 gpm    38 l/min
Rotator recommended flow will produce a speed of 30 rpm		

Cylinder	Diameter	Recommended pressure	Pressure range	Flow range	Lock valves
Standard	3 " (76 mm)	3000 psi (207 bars)	2500-3500 psi (172-241 bars)	7-11 gpm (26-42 l/min.)	no

Grapple cylinder maximum flow will theoretically produce a complete grapple open/close cycle in 4 seconds.



**Options:**

- Optional holding chain. (72 lb / 33 kg)
- Leveling plate (1 side only). (36 lb / 16 kg)

web site: [www.rotobec.com](http://www.rotobec.com)

email: [rotobec@rotobec.com](mailto:rotobec@rotobec.com)

**Rotobec Inc.:** Head office serving OEM's and Eastern Canada    Ph: (418) 383-3002 Fax: (418) 383-5334  
**Rotobec West:** Branch serving Western Canada and Western USA    Ph: (250) 765-1161 Fax: (250) 765-0035  
**Rotobec USA:** Branch serving Eastern and Central USA    Ph: (603) 444-2103 Fax: (603) 444-0327

We reserve the right to change specifications and to improve our products without notice or obligation.

07003-2676  
20/04/17 E.T.