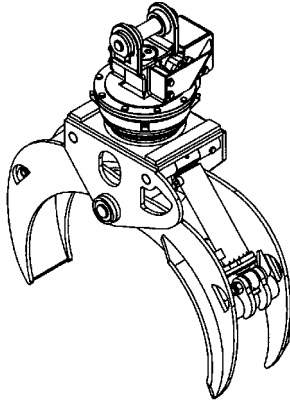




Log grapple

4535 with rotator RT-252



| | |
|----------------------------------|---|
| Opening | 35 1/8 in. (892 mm) |
| Closing | 4 3/8 in. (111 mm) |
| Volume | .108 cord of 8 ft. wood |
| Area tip to tip | 1.7 sq. ft. (.16 sq. meter) |
| Rotator lifting capacity | 25000 lb (11340 kg) |
| Torque at relief pressure | 15663 in.lb (1770 Nm) @ 1450 psi (100 bars) |
| Steel* thickness | 3/4" (19 mm) |
| Weight | 780 lb (354 kg) |

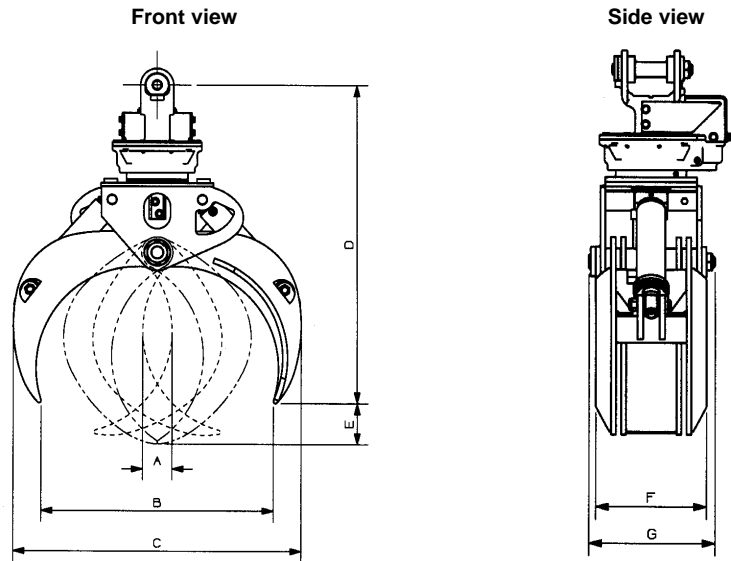
*High tensile strength steel: 165,000 psi (1138 MPa)
 ** Heavy-duty version.

| | | |
|--|--|--|
| Rotator | Maximum pressure: 5000 psi (345 bars) | Recommended flow: 9 gpm (34 l/min.) |
| Rotator recommended flow will produce a speed of 30 rpm. | | |

| Cylinder | Diameter | Recommended pressure | Pressure range | Flow range | Lock valves |
|----------|----------------|----------------------|----------------------------------|------------------------------|-------------|
| Standard | 3 1/2" (89 mm) | 2350 psi (162 bars) | 2000 - 2700 psi (138 - 186 bars) | 13 - 19 gpm (49 - 72 l/min.) | no |
| Standard | 3" (76 mm) | 3250 psi (224 bars) | 2800 - 3700 psi (193 - 255 bars) | 9 - 13 gpm (34 - 49 l/min.) | no |
| | | | | | |
| | | | | | |

Grapple cylinder maximum flow will theoretically produce a complete grapple open/close cycle in 4 seconds.

| Reference | Dimension |
|-----------|----------------------|
| A | 4 3/8 in. (111 mm) |
| B | 35 1/8 in. (892 mm) |
| C | 43 1/2 in. (1105 mm) |
| D | 48 1/8 in. (1222 mm) |
| E | 6 1/4 in. (159 mm) |
| F | 14 1/2 in. (368 mm) |
| G | 16 1/2 in. (419 mm) |
| H | |



OPTIONS: Head protector. Tie protection package, including shaft on jaw tips and protection strips on jaw edges. Jaw tip modification to prevent log damage. Impact protection relief valve available on certain models (check with factory).

web site: www.rotobec.com

e-mail: rotobec@rotobec.com

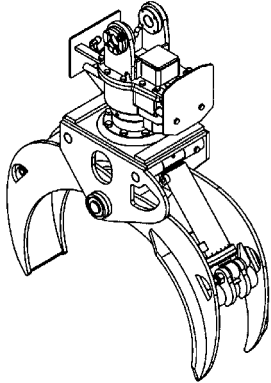
Rotobec Inc.: Head office serving OEM's and Eastern Canada
 Rotobec West: Branch serving Western Canada and Western USA
 Rotobec USA: Branch serving Eastern and Central USA

Ph: (418) 383-3002 Fax: (418) 383-5334
 Ph: (250) 548-0041 Fax: (250) 548-0043
 Ph: (603) 444-2103 Fax: (603) 444-0327



Log grapple

4535 with rotator R-9150



| | |
|----------------------------------|---|
| Opening | 35 1/8 in. (892 mm) |
| Closing | 4 3/8 in. (111 mm) |
| Volume | .108 cord of 8 ft. wood |
| Area tip to tip | 1.7 sq. ft. (.16 sq. meter) |
| Rotator lifting capacity | 18000 lb (8165 kg) |
| Torque at relief pressure | 8193 in.lb (926 Nm) @ 913 psi (63 bars) |
| Steel* thickness | 3/4" (19 mm) |
| Weight | 730 lb (331 kg) |

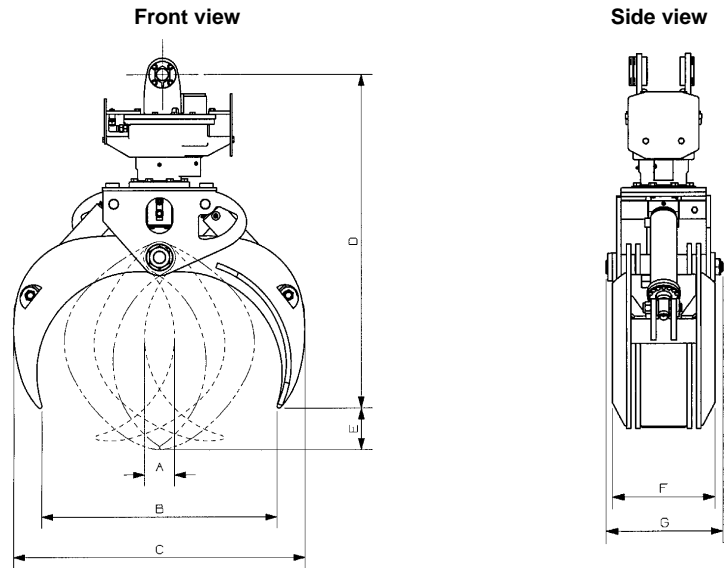
*High tensile strength steel: 165,000 psi (1138 MPa)
 ** Heavy-duty version.

| | | |
|--|--|--|
| Rotator | Maximum pressure: 4000 psi (276 bars) | Recommended flow: 8 gpm (30 l/min.) |
| Rotator recommended flow will produce a speed of 30 rpm. | | |

| Cylinder | Diameter | Recommended pressure | Pressure range | Flow range | Lock valves |
|----------|----------------|----------------------|----------------------------------|------------------------------|-------------|
| Standard | 3 1/2" (89 mm) | 2350 psi (162 bars) | 2000 - 2700 psi (138 - 186 bars) | 13 - 19 gpm (49 - 72 l/min.) | no |
| Standard | 3" (76 mm) | 3250 psi (224 bars) | 2800 - 3700 psi (193 - 255 bars) | 9 - 13 gpm (34 - 49 l/min.) | no |
| | | | | | |
| | | | | | |

Grapple cylinder maximum flow will theoretically produce a complete grapple open/close cycle in 4 seconds.

| Reference | Dimension |
|-----------|----------------------|
| A | 4 3/8 in. (111 mm) |
| B | 35 1/8 in. (892 mm) |
| C | 43 1/2 in. (1105 mm) |
| D | 50 3/8 in. (1280 mm) |
| E | 6 1/4 in. (159 mm) |
| F | 14 1/2 in. (368 mm) |
| G | 16 1/2 in. (419 mm) |
| H | |



OPTIONS: Head protector. Tie protection package, including shaft on jaw tips and protection strips on jaw edges. Jaw tip modification to prevent log damage. Impact protection relief valve available on certain models (check with factory).

web site: www.rotobec.com

e-mail: rotobec@rotobec.com

Rotobec Inc.: Head office serving OEM's and Eastern Canada
 Rotobec West: Branch serving Western Canada and Western USA
 Rotobec USA: Branch serving Eastern and Central USA

Ph: (418) 383-3002 Fax: (418) 383-5334
 Ph: (250) 548-0041 Fax: (250) 548-0043
 Ph: (603) 444-2103 Fax: (603) 444-0327