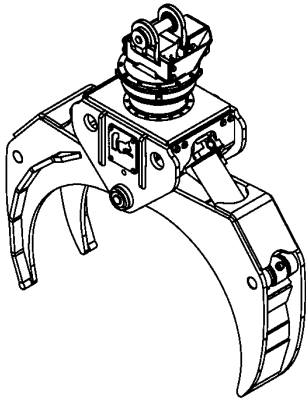




# Log grapple

## 4552SHD with rotator RT-504



<b>Opening</b>	53 in. (1346 mm)
<b>Closing</b>	4 1/2 in. (114 mm)
<b>Volume</b>	.260 cord of 8 ft. wood
<b>Area tip to tip</b>	4.2 sq. ft. (.39 sq. meter)
<b>Rotator lifting capacity</b>	50000 lb (22680 kg)
<b>Torque at relief pressure</b>	18630 in.lb (2105 Nm) @ 1450 psi (100 bars)
<b>Steel* thickness</b>	1" (25 mm)
<b>Weight</b>	2365 lb (1073 kg)

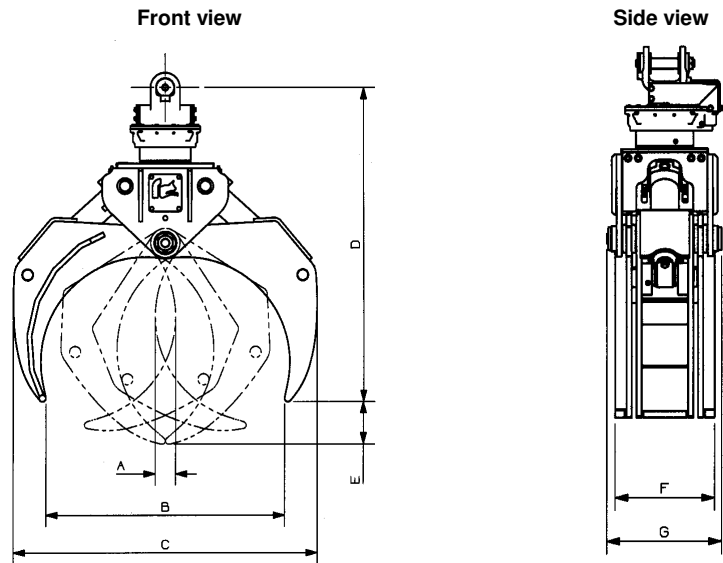
\*High tensile strength steel: 165,000 psi (1138 MPa)

<b>Rotator</b>	<b>Maximum pressure:</b> 5000 psi (345 bars)	<b>Recommended flow:</b> 9 gpm (34 l/min.)
Rotator recommended flow will produce a speed of 25 rpm.		

Cylinder	Diameter	Recommended pressure	Pressure range	Flow range	Lock valves
Standard	4 1/2" (114 mm)	3000 psi (207 bars)	2500 - 5000 psi (172 - 345 bars)	29 - 41 gpm (110 - 155 l/min.)	yes

Grapple cylinder maximum flow will theoretically produce a complete grapple open/close cycle in 5 seconds.

Reference	Dimension
A	4 1/2 in. (114 mm)
B	53 in. (1346 mm)
C	67 1/2 in. (1715 mm)
D	69 5/8 in. (1768 mm)
E	9 1/2 in. (241 mm)
F	19 1/2 in. (495 mm)
G	22 1/2 in. (572 mm)
H	



OPTIONS: RotoCut saw unit. Log protection strips on jaw edges. Shafts on jaw tips to prevent log damage are standard on super-heavy-duty (SHD) models. Impact protection relief valve.

web site: [www.rotobec.com](http://www.rotobec.com)

e-mail: [rotobec@rotobec.com](mailto:rotobec@rotobec.com)

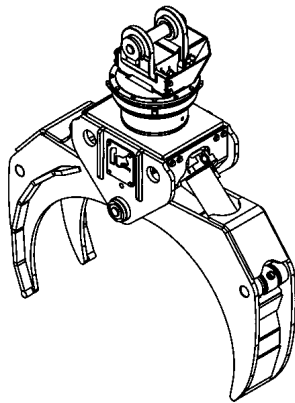
Rotobec Inc.: Head office serving OEM's and Eastern Canada  
 Rotobec West: Branch serving Western Canada and Western USA  
 Rotobec USA: Branch serving Eastern and Central USA

Ph: (418) 383-3002 Fax: (418) 383-5334  
 Ph: (250) 765-1161 Fax: (250) 765-0035  
 Ph: (603) 444-2103 Fax: (603) 444-0327



# Log grapple

## 4552SHD with rotator RT-1004



<b>Opening</b>	53 in. (1346 mm)
<b>Closing</b>	4 1/2 in. (114 mm)
<b>Volume</b>	.260 cord of 8 ft. wood
<b>Area tip to tip</b>	4.2 sq. ft. (.39 sq. meter)
<b>Rotator lifting capacity</b>	100000 lb (45360 kg)
<b>Torque at relief pressure</b>	22360 in.lb (2527 Nm) @ 1450 psi (100 bars)
<b>Steel* thickness</b>	1" (25 mm)
<b>Weight</b>	2605 lb (1182 kg)

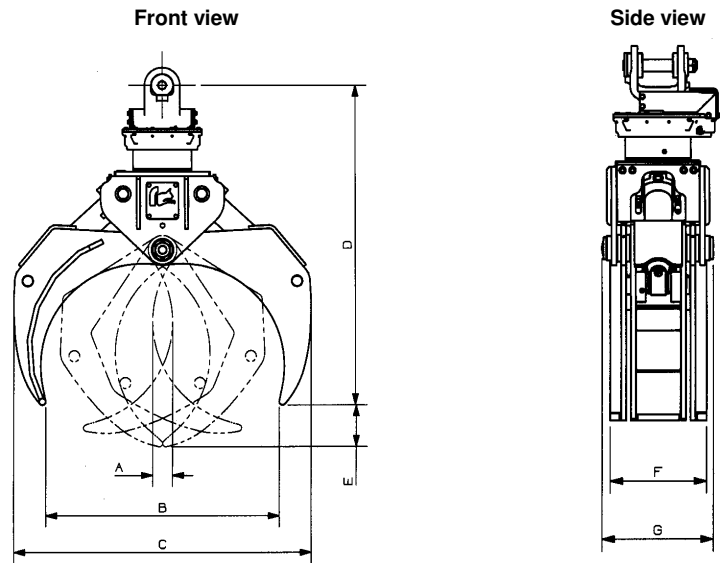
\*High tensile strength steel: 165,000 psi (1138 MPa)

<b>Rotator</b>	<b>Maximum pressure:</b> 5000 psi (345 bars)	<b>Recommended flow:</b> 8 gpm (30 l/min.)
Rotator recommended flow will produce a speed of 20 rpm.		

Cylinder	Diameter	Recommended pressure	Pressure range	Flow range	Lock valves
Standard	4 1/2" (114 mm)	3000 psi (207 bars)	2500 - 5000 psi (172 - 345 bars)	29 - 41 gpm (110 - 155 l/min.)	yes

Grapple cylinder maximum flow will theoretically produce a complete grapple open/close cycle in 5 seconds.

Reference	Dimension
A	4 1/2 in. (114 mm)
B	53 in. (1346 mm)
C	67 1/2 in. (1715 mm)
D	72 1/2 in. (1842 mm)
E	9 1/2 in. (241 mm)
F	19 1/2 in. (495 mm)
G	22 1/2 in. (572 mm)
H	



OPTIONS: RotoCut saw unit. Log protection strips on jaw edges. Shafts on jaw tips to prevent log damage are standard on super-heavy-duty (SHD) models. Impact protection relief valve.

web site: [www.rotobec.com](http://www.rotobec.com)

e-mail: [rotobec@rotobec.com](mailto:rotobec@rotobec.com)

Rotobec Inc.: Head office serving OEM's and Eastern Canada  
 Rotobec West: Branch serving Western Canada and Western USA  
 Rotobec USA: Branch serving Eastern and Central USA

Ph: (418) 383-3002      Fax: (418) 383-5334  
 Ph: (250) 765-1161      Fax: (250) 765-0035  
 Ph: (603) 444-2103      Fax: (603) 444-0327