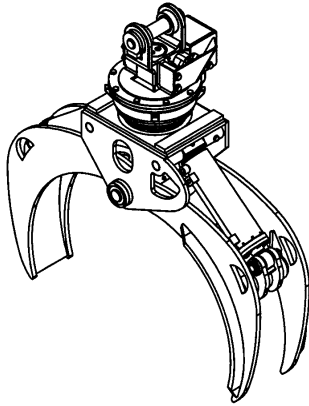




Log grapple

4642 with rotator RT-222



Opening	41 7/8 in. (1064 mm)
Closing	4 5/8 in. (117 mm)
Volume	.170 cord of 8 ft. wood
Area tip to tip	2.7 sq. ft. (.25 sq. meter)
Rotator lifting capacity	22000 lb (9979 kg)
Torque at relief pressure	16150 in.lb (1825 Nm) @ 1450 psi (100 bars)
Steel* thickness	3/4" (19 mm)
Weight	855 lb (388 kg)

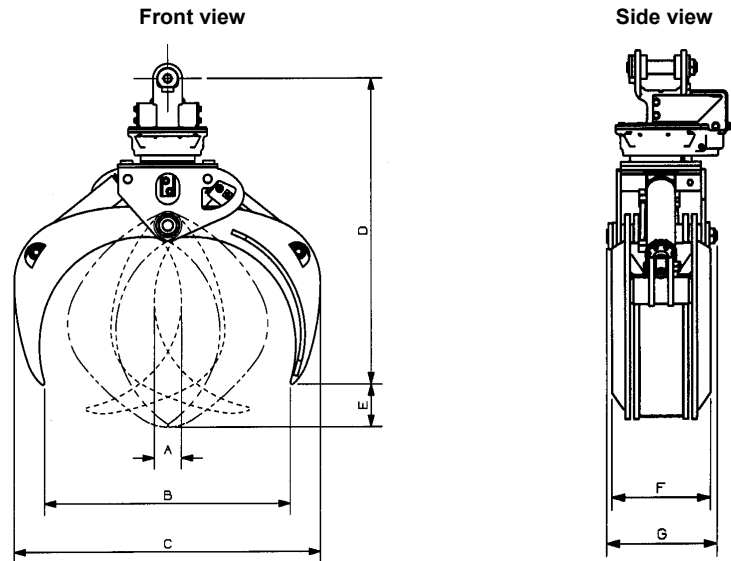
*High tensile strength steel: 165,000 psi (1138 MPa)

Rotator	Maximum pressure: 3800 psi (262 bars)	Recommended flow: 9 gpm (34 l/min.)
Rotator recommended flow will produce a speed of 30 rpm.		

Cylinder	Diameter	Recommended pressure	Pressure range	Flow range	Lock valves
Standard	3 1/2" (89 mm)	2500 psi (172 bars)	2000 - 3000 psi (138 - 207 bars)	15 - 22 gpm (57 - 83 l/min.)	no
Standard	3" (76 mm)	3800 psi (262 bars)	3100 - 4500 psi (214 - 310 bars)	10 - 15 gpm (38 - 57 l/min.)	no
Option	4" (102 mm)	2250 psi (155 bars)	2000 - 2500 psi (138 - 172 bars)	20 - 30 gpm (76 - 114 l/min.)	no

Grapple cylinder maximum flow will theoretically produce a complete grapple open/close cycle in 4 seconds.

Reference	Dimension
A	4 5/8 in. (117 mm)
B	41 7/8 in. (1064 mm)
C	52 1/4 in. (1327 mm)
D	53 1/4 in. (1337 mm)
E	7 1/2 in. (187 mm)
F	14 3/4 in. (375 mm)
G	16 1/2 in. (419 mm)
H	



OPTIONS: Head protector. Tie protection package, including shaft on jaw tips and protection strips on jaw edges. Jaw tip modification to prevent log damage. Impact protection relief valve available on certain models (check with factory).

web site: www.rotobec.com

e-mail: rotobec@rotobec.com

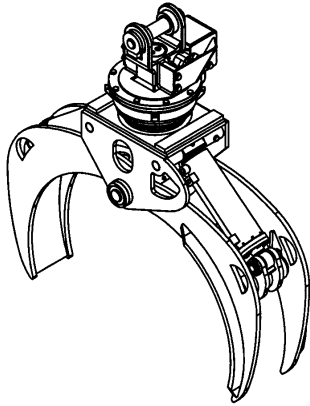
Rotobec Inc.: Head office serving OEM's and Eastern Canada
 Rotobec West: Branch serving Western Canada and Western USA
 Rotobec USA: Branch serving Eastern and Central USA

Ph: (418) 383-3002 Fax: (418) 383-5334
 Ph: (250) 548-0041 Fax: (250) 548-0043
 Ph: (603) 444-2103 Fax: (603) 444-0327



Log grapple

4642 with rotator RT-252



Opening	41 7/8 in. (1064 mm)
Closing	4 5/8 in. (117 mm)
Volume	.170 cord of 8 ft. wood
Area tip to tip	2.7 sq. ft. (.25 sq. meter)
Rotator lifting capacity	25000 lb (11340 kg)
Torque at relief pressure	16150 in.lb (1825 Nm) @ 1450 psi (100 bars)
Steel* thickness	3/4" (19 mm)
Weight	885 lb (401 kg)

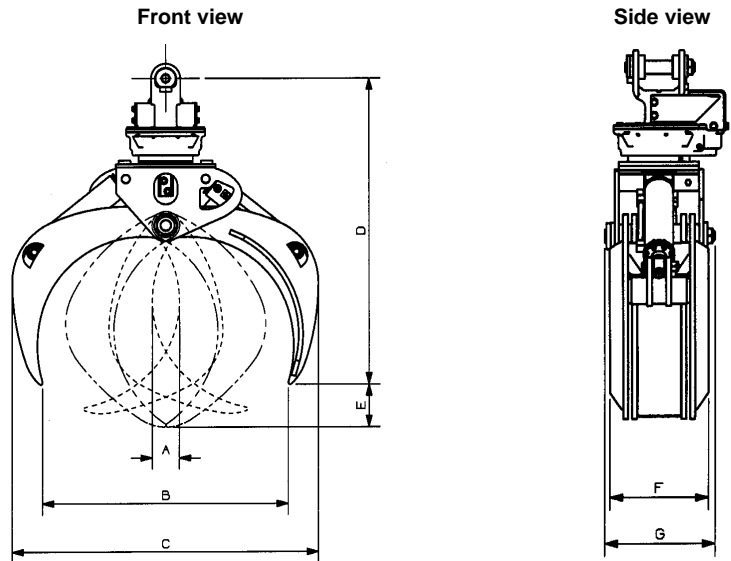
*High tensile strength steel: 165,000 psi (1138 MPa)

Rotator	Maximum pressure: 5000 psi (345 bars)	Recommended flow: 9 gpm (34 l/min.)
Rotator recommended flow will produce a speed of 30 rpm.		

Cylinder	Diameter	Recommended pressure	Pressure range	Flow range	Lock valves
Standard	3 1/2" (89 mm)	2500 psi (172 bars)	2000 - 3000 psi (138 - 207 bars)	15 - 22 gpm (57 - 83 l/min.)	no
Standard	3" (76 mm)	3800 psi (262 bars)	3100 - 4500 psi (214 - 310 bars)	10 - 15 gpm (38 - 57 l/min.)	no
Option	4" (102 mm)	2250 psi (155 bars)	2000 - 2500 psi (138 - 172 bars)	20 - 30 gpm (76 - 114 l/min.)	no

Grapple cylinder maximum flow will theoretically produce a complete grapple open/close cycle in 4 seconds.

Reference	Dimension
A	4 5/8 in. (117 mm)
B	41 7/8 in. (1064 mm)
C	52 1/4 in. (1327 mm)
D	52 5/8 in. (1337 mm)
E	7 3/8 in. (187 mm)
F	14 3/4 in. (375 mm)
G	16 1/2 in. (419 mm)
H	



OPTIONS: Head protector. Tie protection package, including shaft on jaw tips and protection strips on jaw edges. Jaw tip modification to prevent log damage. Impact protection relief valve available on certain models (check with factory).

web site: www.rotobec.com

e-mail: rotobec@rotobec.com

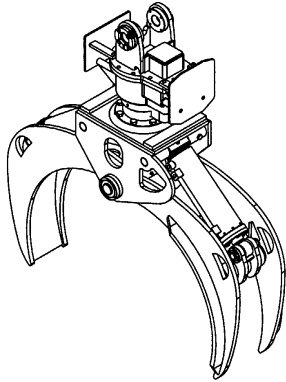
Rotobec Inc.: Head office serving OEM's and Eastern Canada
 Rotobec West: Branch serving Western Canada and Western USA
 Rotobec USA: Branch serving Eastern and Central USA

Ph: (418) 383-3002 Fax: (418) 383-5334
 Ph: (250) 548-0041 Fax: (250) 548-0043
 Ph: (603) 444-2103 Fax: (603) 444-0327



Log grapple

4642 with rotator R-9150



Opening	41 7/8 in. (1064 mm)
Closing	4 5/8 in. (117 mm)
Volume	.170 cord of 8 ft. wood
Area tip to tip	2.7 sq. ft. (.25 sq. meter)
Rotator lifting capacity	18000 lb (8165 kg)
Torque at relief pressure	8450 in.lb (955 Nm) @ 913 psi (63 bars)
Steel* thickness	3/4" (19 mm)
Weight	835 lb (379 kg)

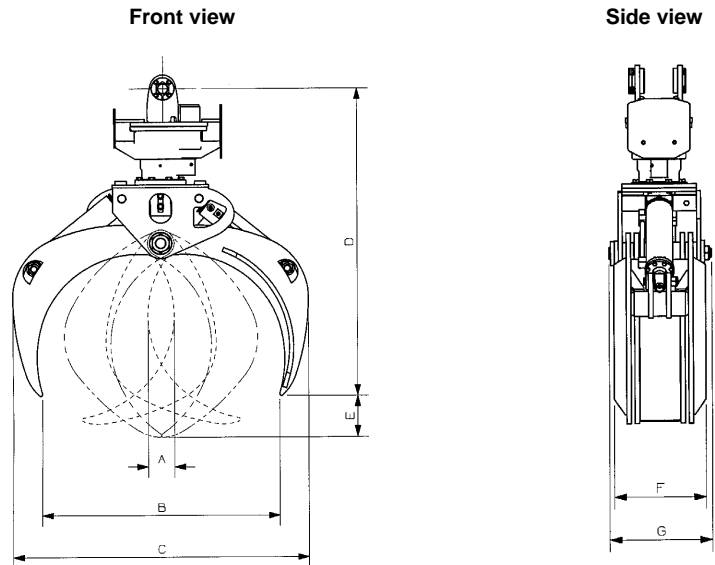
*High tensile strength steel: 165,000 psi (1138 MPa)

Rotator	Maximum pressure: 4000 psi (276 bars)	Recommended flow: 8 gpm (30 l/min.)
Rotator recommended flow will produce a speed of 30 rpm.		

Cylinder	Diameter	Recommended pressure	Pressure range	Flow range	Lock valves
Standard	3 1/2" (89 mm)	2500 psi (172 bars)	2000 - 3000 psi (138 - 207 bars)	15 - 22 gpm (57 - 83 l/min.)	no
Standard	3" (76 mm)	3800 psi (262 bars)	3100 - 4500 psi (214 - 310 bars)	10 - 15 gpm (38 - 57 l/min.)	no
Option	4" (102 mm)	2250 psi (155 bars)	2000 - 2500 psi (138 - 172 bars)	20 - 30 gpm (76 - 114 l/min.)	no

Grapple cylinder maximum flow will theoretically produce a complete grapple open/close cycle in 4 seconds.

Reference	Dimension
A	4 5/8 in. (117 mm)
B	41 7/8 in. (1064 mm)
C	52 1/4 in. (1327 mm)
D	54 7/8 in. (1394 mm)
E	7 3/8 in. (187 mm)
F	14 3/4 in. (375 mm)
G	16 1/2 in. (419 mm)
H	



OPTIONS: Head protector. Tie protection package, including shaft on jaw tips and protection strips on jaw edges. Jaw tip modification to prevent log damage. Impact protection relief valve available on certain models (check with factory).

web site: www.rotobec.com

e-mail: rotobec@rotobec.com

Rotobec Inc.: Head office serving OEM's and Eastern Canada
 Rotobec West: Branch serving Western Canada and Western USA
 Rotobec USA: Branch serving Eastern and Central USA

Ph: (418) 383-3002 Fax: (418) 383-5334
 Ph: (250) 548-0041 Fax: (250) 548-0043
 Ph: (603) 444-2103 Fax: (603) 444-0327