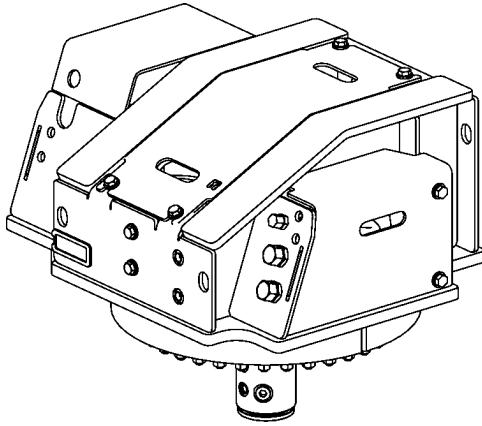




ROTOBEC™

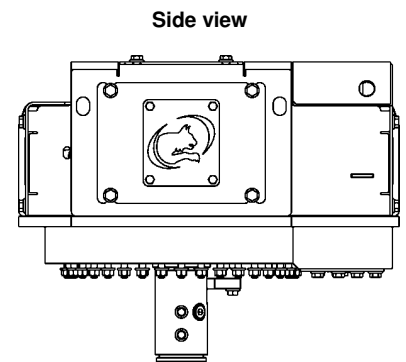
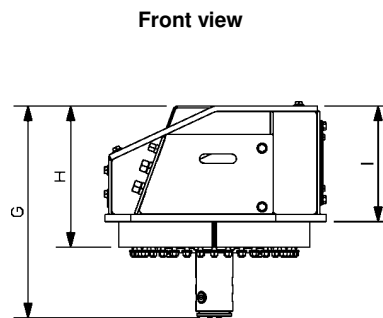
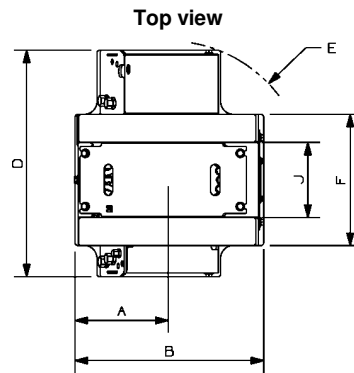
Rotator

RGP-902-1



Rotator type	Continuous, open gears
Maximum lift capacity	90000 lb (40823 kg)
Torque at relief pressure	148710 in. lb (16803 Nm) @ 2200 psi (152 bars)
Speed at recommended flow	15 rpm
Recommended flow	28 gpm (106 l/min.)
Maximum pressure to motor	5000 psi (345 bars)
Maximum pressure to cylinders	5000 psi (345 bars)
Rotator motor ports	2 x 16 JIC + 1 x 10 JIC
Collector upper ports	2 x 16 JIC
Collector lower ports	2 x 12 ORB + 4 x 08 ORB
Weight	1200 lb (544 kg)

Reference	Dimension
A	14 7/8 in. (378 mm)
B	30 1/8 in. (765 mm)
C	
D	36 1/4 in. (921 mm)
E	22 1/4 in. (565 mm)
F	21 in. (533 mm)
G	28 7/8 in. (733 mm)
H	19 1/4 in. (489 mm)
I	15 3/4 in. (400 mm)
J	12 in. (305 mm)
K	
L	



* Dimensions may vary.

OPTIONS: Pin-on or quick attach lugging. 2 section valve on swivel. Float.
Weight is without options.

web site: www.rotobec.com

e-mail: rotobec@rotobec.com

Rotobec Inc.: Head office serving OEM's and Eastern Canada
Rotobec West: Branch serving Western Canada and Western USA
Rotobec USA: Branch serving Eastern and Central USA

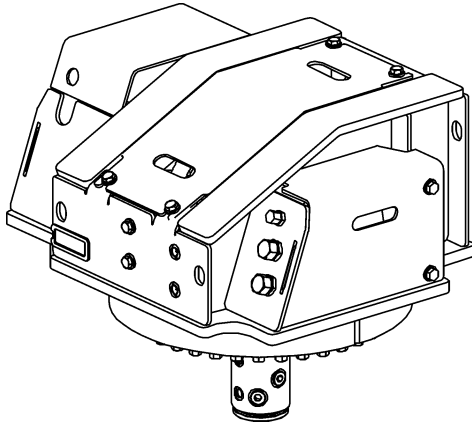
Ph: (418) 383-3002 Fax: (418) 383-5334
Ph: (250) 765-1161 Fax: (250) 765-0035
Ph: (603) 444-2103 Fax: (603) 444-0327



ROTOBEC™

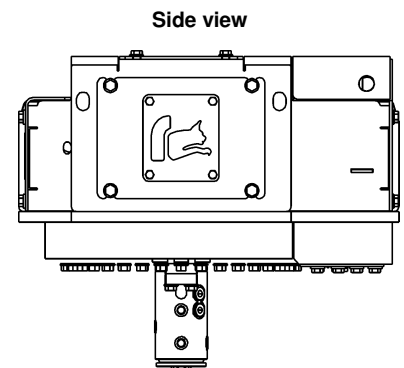
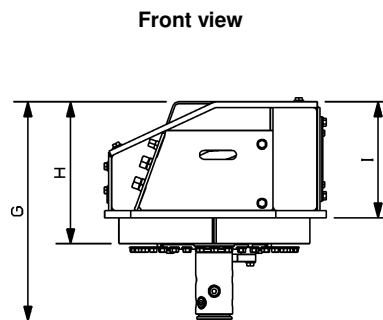
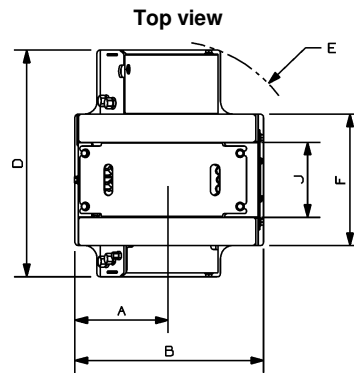
Rotator

RGP-904-1



Rotator type	Continuous, open gears
Maximum lift capacity	90000 lb (40823 kg)
Torque at relief pressure	148710 in. lb (16803 Nm) @ 2200 psi (152 bars)
Speed at recommended flow	18 rpm
Recommended flow	33 gpm (125 l/min.)
Maximum pressure to motor	5000 psi (345 bars)
Maximum pressure to cylinders	5000 psi (345 bars)
Rotator motor ports	2 x 16 JIC + 1 x 10 JIC
Collector upper ports	4 x 12 JIC
Collector lower ports	5 x 12 ORB + 4 x 08 ORB
Weight	1200 lb (544 kg)

Reference	Dimension
A	14 7/8 in. (378 mm)
B	30 1/8 in. (765 mm)
C	
D	36 1/4 in. (921 mm)
E	22 1/4 in. (565 mm)
F	21 in. (533 mm)
G	29 3/4 in. (756 mm)
H	19 1/4 in. (489 mm)
I	15 3/4 in. (400 mm)
J	12 in. (305 mm)
K	
L	



* Dimensions may vary.

OPTIONS: Pin-on or quick attach lugging. 3 section valve on swivel. Float.
Weight is without options.

web site: www.rotobec.com

e-mail: rotobec@rotobec.com

Rotobec Inc.: Head office serving OEM's and Eastern Canada
Rotobec West: Branch serving Western Canada and Western USA
Rotobec USA: Branch serving Eastern and Central USA

Ph: (418) 383-3002 Fax: (418) 383-5334
Ph: (250) 765-1161 Fax: (250) 765-0035
Ph: (603) 444-2103 Fax: (603) 444-0327