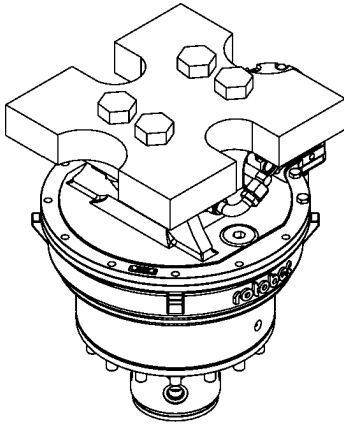




**ROTOBEC™**

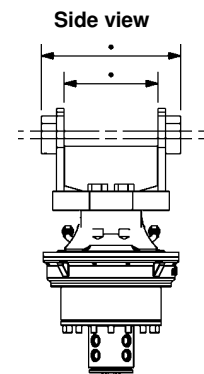
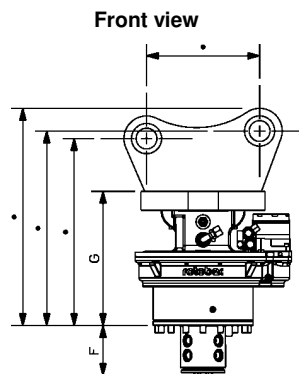
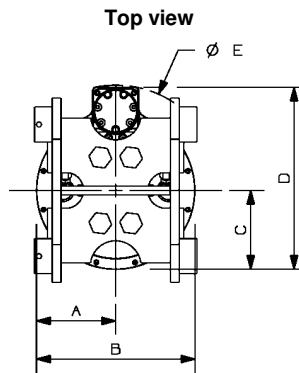
# Rotator

## RGP-1002-1



<b>Rotator type</b>	Continuous, sealed
<b>Maximum lift capacity</b>	100000 lb (45360 kg)
<b>Torque at relief pressure</b>	21770 in.lb (2460 Nm) @ 913 psi (63 bars)
<b>Speed at recommended flow</b>	10 rpm
<b>Recommended flow</b>	6 gpm (23 l/min.)
<b>Maximum pressure to motor</b>	4200 psi (290 bars)
<b>Maximum pressure to cylinders</b>	4200 psi (290 bars)
<b>Rotator motor ports</b>	2 x 10 JIC
<b>Collector upper ports</b>	2 x 16 JIC
<b>Collector lower ports</b>	4 x 08 ORB
<b>Weight</b>	730 lb (331 kg)

Reference	Dimension
A	9 in. (229 mm)
B	18 in. (457 mm)
C	9 in. (229 mm)
D	20 3/4 in. (527 mm)
E	24 in. (610 mm)
F	6 5/8 in. (168 mm)
G	17 3/4 in. (451 mm)
H	*
I	*
J	*
K	*
L	*



\* Dimensions may vary.

NOTE: Designed to be mounted positioned.  
OPTIONS: Direct pin-on or quick attach lugging. Weight is without options.

**web site: [www.rotobec.com](http://www.rotobec.com)**

**e-mail: [rotobec@rotobec.com](mailto:rotobec@rotobec.com)**

Rotobec Inc.: Head office serving OEM's and Eastern Canada  
Rotobec West: Branch serving Western Canada and Western USA  
Rotobec USA: Branch serving Eastern and Central USA

Ph: (418) 383-3002 Fax: (418) 383-5334  
Ph: (250) 765-1161 Fax: (250) 765-0035  
Ph: (603) 444-2103 Fax: (603) 444-0327