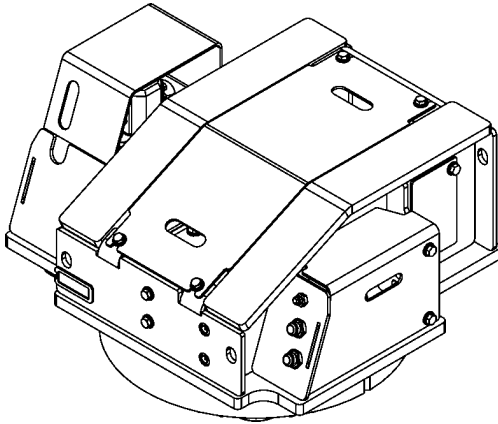




**ROTOBEC™**

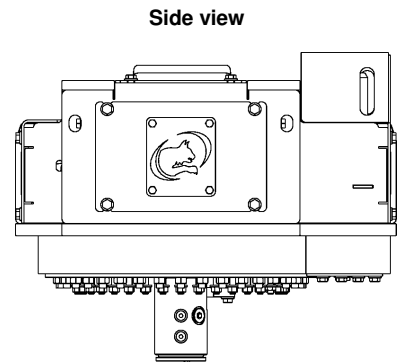
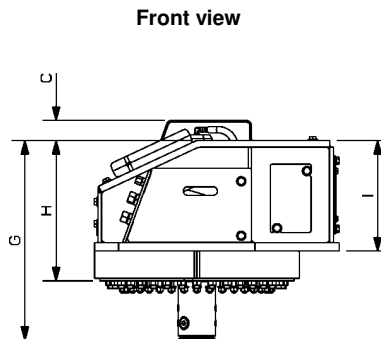
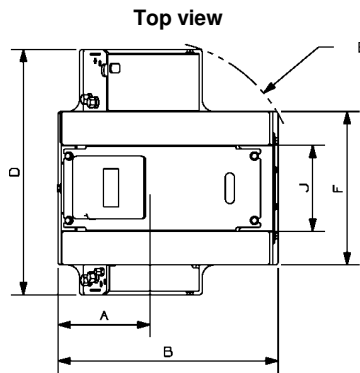
# Rotator

## RGP-1302-1



<b>Rotator type</b>	Continuous, open gears
<b>Maximum lift capacity</b>	130000 lb (58968 kg)
<b>Torque at relief pressure</b>	176750 in. lb (19972 Nm) @ 2200 psi (152 bars)
<b>Speed at recommended flow</b>	15 rpm
<b>Recommended flow</b>	33 gpm (125 l/min.)
<b>Maximum pressure to motor</b>	5000 psi (345 bars)
<b>Maximum pressure to cylinders</b>	5000 psi (345 bars)
<b>Rotator motor ports</b>	2 x 16 JIC + 1 x 10 JIC
<b>Collector upper ports</b>	2 x 16 JIC
<b>Collector lower ports</b>	2 x 16 ORB + 4 x 10 ORB
<b>Weight</b>	1595 lb (723 kg)

Reference	Dimension
A	15 in. (381 mm)
B	35 7/8 in. (911 mm)
C	2 7/8 in. (73 mm)
D	40 in. (1016 mm)
E	24 1/8 in. (613 mm)
F	25 in. (635 mm)
G	29 5/8 in. (752 mm)
H	20 1/4 in. (514 mm)
I	16 1/4 in. (413 mm)
J	14 in. (356 mm)
K	
L	



\* Dimensions may vary.

OPTIONS: Pin-on or quick attach lugging. 2 section valve on swivel. Float.  
Weight is without options.

**web site: [www.rotobec.com](http://www.rotobec.com)**

**e-mail: [rotobec@rotobec.com](mailto:rotobec@rotobec.com)**

Rotobec Inc.: Head office serving OEM's and Eastern Canada  
Rotobec West: Branch serving Western Canada and Western USA  
Rotobec USA: Branch serving Eastern and Central USA

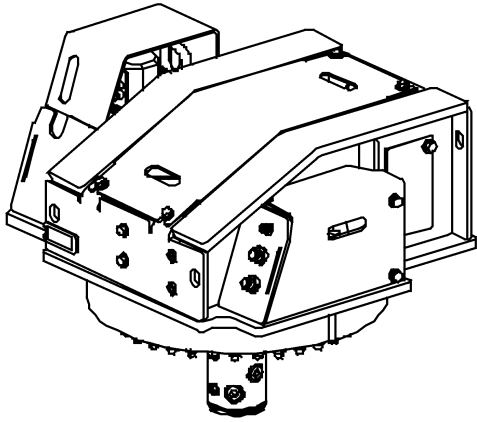
Ph: (418) 383-3002 Fax: (418) 383-5334  
Ph: (250) 765-1161 Fax: (250) 765-0035  
Ph: (603) 444-2103 Fax: (603) 444-0327



**ROTOBEC™**

# Rotator

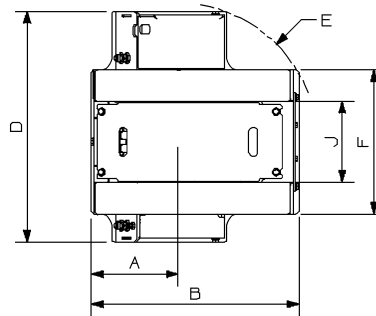
## RGP-1304-2



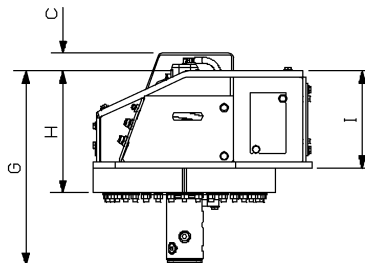
<b>Rotator type</b>	Continuous, open gears
<b>Maximum lift capacity</b>	130000 lb (58968 kg)
<b>Torque at relief pressure</b>	176750 in. lb (19972 Nm) @ 2200 psi (152 bars)
<b>Speed at recommended flow</b>	15 rpm
<b>Recommended flow</b>	33 gpm (125 l/min.)
<b>Maximum pressure to motor</b>	5000 psi (345 bars)
<b>Maximum pressure to cylinders</b>	5000 psi (345 bars)
<b>Rotator motor ports</b>	2 x 16 JIC + 1 x 10 JIC
<b>Collector upper ports</b>	2 x 16 JIC
<b>Collector lower ports</b>	5 x 16 ORB + 4 x 10 ORB
<b>Weight</b>	1525 lb (692 kg)

Reference	Dimension
A	15 in. (381 mm)
B	35 7/8 in. (911 mm)
C	3 in. (76 mm)
D	40 in. (1016 mm)
E	24 in. (610 mm)
F	25 in. (635 mm)
G	32 in. (813 mm)
H	20 in. (508 mm)
I	16 in. (406 mm)
J	14 in. (356 mm)
K	
L	

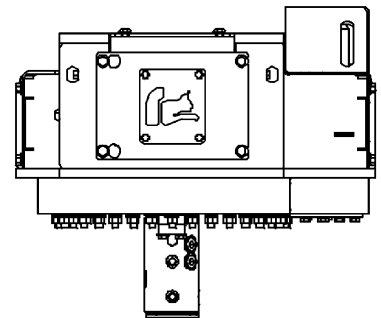
Top view



Front view



Side view



\* Dimensions may vary.

OPTIONS: Pin-on or quick attach lugging. 3 section valve in head. Float.  
Weight is without options.

web site: [www.rotobec.com](http://www.rotobec.com)

e-mail: [rotobec@rotobec.com](mailto:rotobec@rotobec.com)

Rotobec Inc.: Head office serving OEM's and Eastern Canada  
Rotobec West: Branch serving Western Canada and Western USA  
Rotobec USA: Branch serving Eastern and Central USA

Ph: (418) 383-3002 Fax: (418) 383-5334  
Ph: (250) 765-1161 Fax: (250) 765-0035  
Ph: (603) 444-2103 Fax: (603) 444-0327