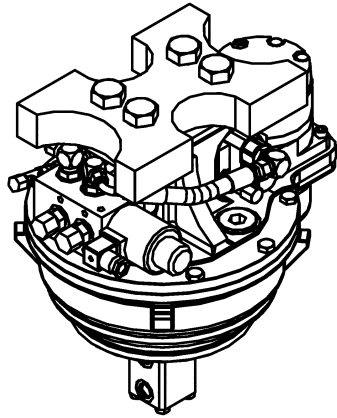




ROTOBEC™

Rotator

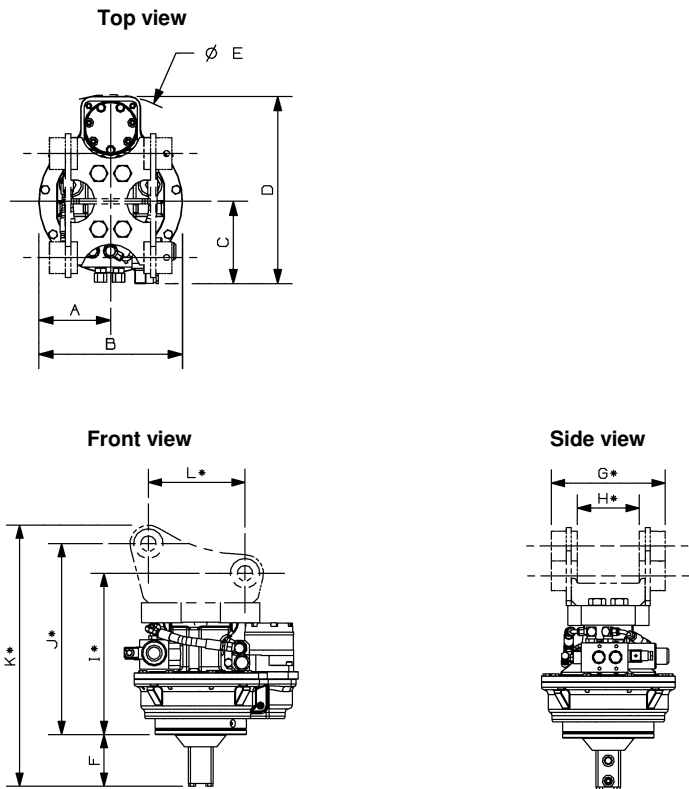
RGP-252-4,5,6



Rotator type	Continuous, sealed
Maximum lift capacity	25000 lb (11340 kg)
Torque at relief pressure	15720 in.lb (1776 Nm) @ 913 psi (63 bars)
Speed at recommended flow	21 rpm
Recommended flow	10 gpm (38 l/min.)
Maximum pressure to motor	4200 psi (290 bars)
Maximum pressure to cylinders	4200 psi (290 bars)
Rotator motor ports	2 x 10 JIC + 1 x 06 JIC
Collector upper ports	2 x 10 JIC
Collector lower ports	4 x 08 ORB
Weight	305 lb (138 kg)

Reference	Dimension
A	6 3/4 in. (171 mm)
B	13 1/2 in. (343 mm)
C	7 3/4 in. (197 mm)
D	17 5/8 in. (448 mm)
E	20 1/8 in. (511 mm)
F	5 1/4 in. (133 mm)
G	*
H	*
I	*
J	*
K	*
L	*

* Dimensions may vary.



NOTE: Designed to be mounted positioned. RGP-252-4 is standard with 12Volt selector valve, RGP-252-5 is standard with 24Volt selector valve, RGP-252-6 has no selector valve.

OPTIONS: Direct pin-on or quick attach lugging. Weight is without options.

web site: www.rotobec.com

e-mail: rotobec@rotobec.com

Rotobec Inc.: Head office serving OEM's and Eastern Canada
Rotobec West: Branch serving Western Canada and Western USA
Rotobec USA: Branch serving Eastern and Central USA

Ph: (418) 383-3002 Fax: (418) 383-5334
Ph: (250) 765-1161 Fax: (250) 765-0035
Ph: (603) 444-2103 Fax: (603) 444-0327