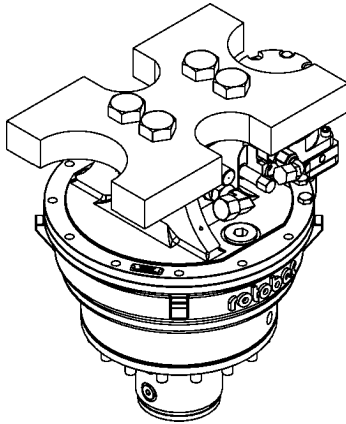




ROTOBEC™

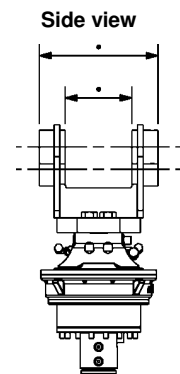
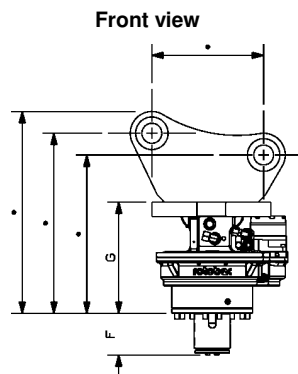
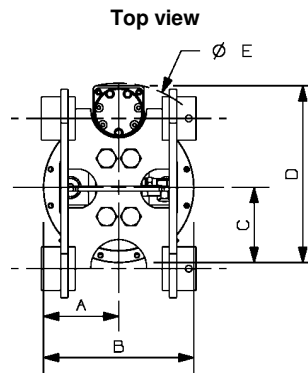
Rotator

RGP-502-1



Rotator type	Continuous, sealed
Maximum lift capacity	50000 lb (22680 kg)
Torque at relief pressure	18140 in. lb (2050 Nm) @ 913 psi (63 bars)
Speed at recommended flow	15 rpm
Recommended flow	8 gpm (30 l/min.)
Maximum pressure to motor	4200 psi (290 bars)
Maximum pressure to cylinders	4200 psi (290 bars)
Rotator motor ports	2 x 10 JIC
Collector upper ports	2 x 12 JIC
Collector lower ports	4 x 08 ORB
Weight	460 lb (209 kg)

Reference	Dimension
A	7 3/4 in. (197 mm)
B	15 1/2 in. (394 mm)
C	7 3/4 in. (197 mm)
D	18 1/4 in. (464 mm)
E	21 1/2 in. (546 mm)
F	5 3/4 in. (146 mm)
G	15 3/8 in. (391 mm)
H	*
I	*
J	*
K	*
L	*



* Dimensions may vary.

NOTE: Designed to be mounted positioned.
OPTIONS: Direct pin-on or quick attach lugging. Weight is without options.

web site: www.rotobec.com

e-mail: rotobec@rotobec.com

Rotobec Inc.: Head office serving OEM's and Eastern Canada
Rotobec West: Branch serving Western Canada and Western USA
Rotobec USA: Branch serving Eastern and Central USA

Ph: (418) 383-3002 Fax: (418) 383-5334
Ph: (250) 765-1161 Fax: (250) 765-0035
Ph: (603) 444-2103 Fax: (603) 444-0327