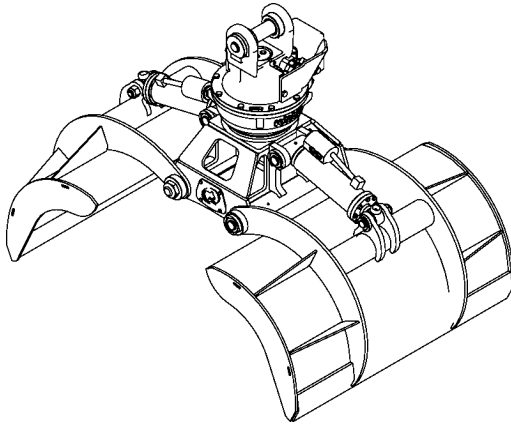




# Waste Collection Grapple

## 030W with rotator RT-252



<b>Opening</b>	54 3/8 in. (1381 mm)	
<b>Volume</b>	0.40 cubic yards	0.31 cubic meters
<b>Rotator lifting capacity</b>	25000 lb (11340 kg)	
<b>Torque at relief pressure</b>	16150 in.lb (1825 Nm)	@ 1450 psi (100 bars)
<b>Steel* thickness</b>	1/2" (13 mm)	
<b>Weight</b>	735 lb (333 kg)	

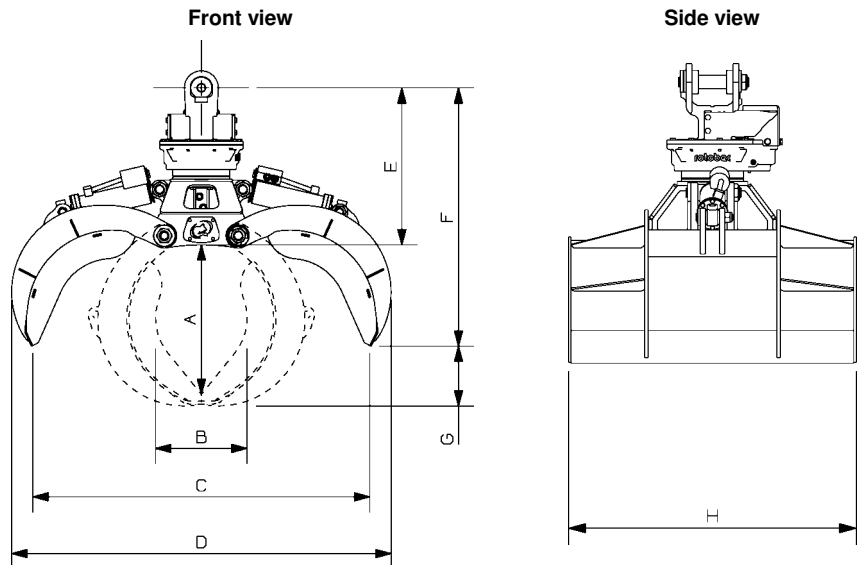
\*High tensile strength steel: 165,000 psi (1138 MPa)

<b>Rotator</b>	<b>Maximum pressure:</b> 5000 psi (345 bars)	<b>Recommended flow:</b> 9 gpm (34 l/min.)
Rotator recommended flow will produce a speed of 30 rpm.		

Cylinder	Diameter	Recommended pressure	Pressure range	Flow range	Lock valves
Standard	3" (76 mm)	3000 psi (207 bars)	2500 - 3500 psi (172 - 241 bars)	7 - 11 gpm (27 - 42 l/min.)	yes

Grapple cylinder maximum flow will theoretically produce a complete grapple open/close cycle in 4 seconds.

Reference	Dimension
A	24 1/4 in. (616 mm)
B	14 7/8 in. (378 mm)
C	54 3/8 in. (1381 mm)
D	61 1/2 in. (1562 mm)
E	25 1/2 in. (648 mm)
F	41 7/8 in. (1064 mm)
G	9 3/4 in. (248 mm)
H	42 3/4 in. (1086 mm)



web site: [www.rotobec.com](http://www.rotobec.com)

e-mail: [rotobec@rotobec.com](mailto:rotobec@rotobec.com)

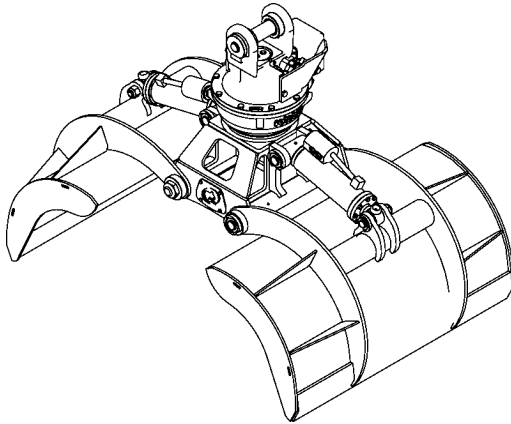
Rotobec Inc.: Head office serving OEM's and Eastern Canada  
 Rotobec West: Branch serving Western Canada and Western USA  
 Rotobec USA: Branch serving Eastern and Central USA

Ph: (418) 383-3002 Fax: (418) 383-5334  
 Ph: (250) 765-1161 Fax: (250) 765-0035  
 Ph: (603) 444-2103 Fax: (603) 444-0327



# Waste Collection Grapple

## 030W with rotator RT-322



<b>Opening</b>	54 3/8 in. (1381 mm)	
<b>Volume</b>	0.40 cubic yards	0.31 cubic meters
<b>Rotator lifting capacity</b>	32000 lb (14515 kg)	
<b>Torque at relief pressure</b>	16150 in.lb (1825 Nm)	@ 1450 psi (100 bars)
<b>Steel* thickness</b>	1/2" (13 mm)	
<b>Weight</b>	945 lb (429 kg)	

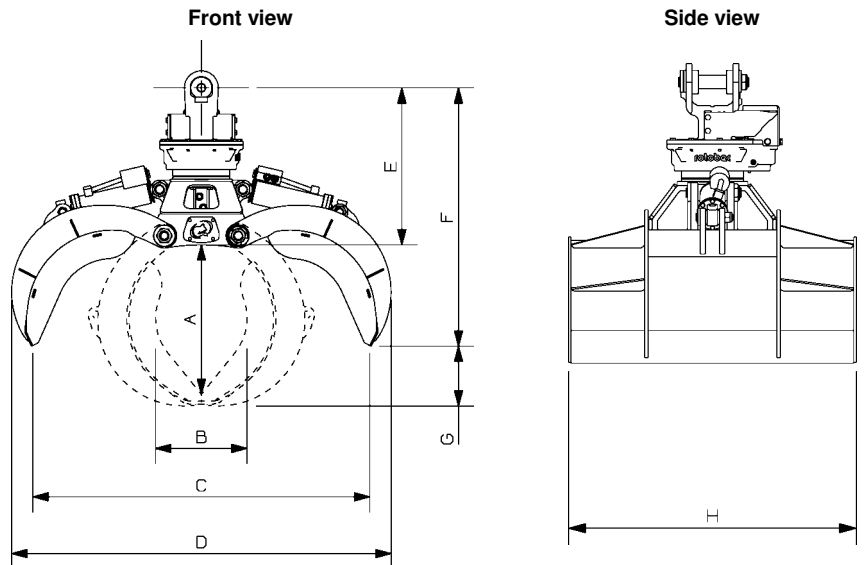
\*High tensile strength steel: 165,000 psi (1138 MPa)

<b>Rotator</b>	<b>Maximum pressure:</b> 5000 psi (345 bars)	<b>Recommended flow:</b> 9 gpm (34 l/min.)
Rotator recommended flow will produce a speed of 30 rpm.		

Cylinder	Diameter	Recommended pressure	Pressure range	Flow range	Lock valves
Standard	3" (76 mm)	3000 psi (207 bars)	2500 - 3500 psi (172 - 241 bars)	7 - 11 gpm (27 - 42 l/min.)	yes

Grapple cylinder maximum flow will theoretically produce a complete grapple open/close cycle in 4 seconds.

Reference	Dimension
A	24 1/4 in. (616 mm)
B	14 7/8 in. (378 mm)
C	54 3/8 in. (1381 mm)
D	61 1/2 in. (1562 mm)
E	26 3/8 in. (670 mm)
F	42 3/4 in. (1086 mm)
G	9 3/4 in. (248 mm)
H	42 3/4 in. (1086 mm)



web site: [www.rotobec.com](http://www.rotobec.com)

e-mail: [rotobec@rotobec.com](mailto:rotobec@rotobec.com)

Rotobec Inc.: Head office serving OEM's and Eastern Canada  
 Rotobec West: Branch serving Western Canada and Western USA  
 Rotobec USA: Branch serving Eastern and Central USA

Ph: (418) 383-3002      Fax: (418) 383-5334  
 Ph: (250) 765-1161      Fax: (250) 765-0035  
 Ph: (603) 444-2103      Fax: (603) 444-0327