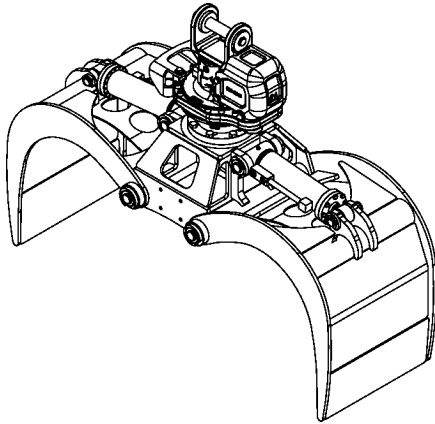




Pulpwood grapple

040 with rotator RT-222



Opening	55 7/8 in. (1419 mm)
Closing	30 1/8 in. (765 mm)
Volume	.256 cord of 8 ft. wood
Area tip to tip	4.1 sq. ft. (.38 sq. meter)
Rotator lifting capacity	22000 lb (9980 kg)
Torque at relief pressure	10700 in.lb (1209 Nm) @ 913 psi (63 bars)
Steel* thickness	1/2" (13 mm)
Weight	761 lb (345 kg)

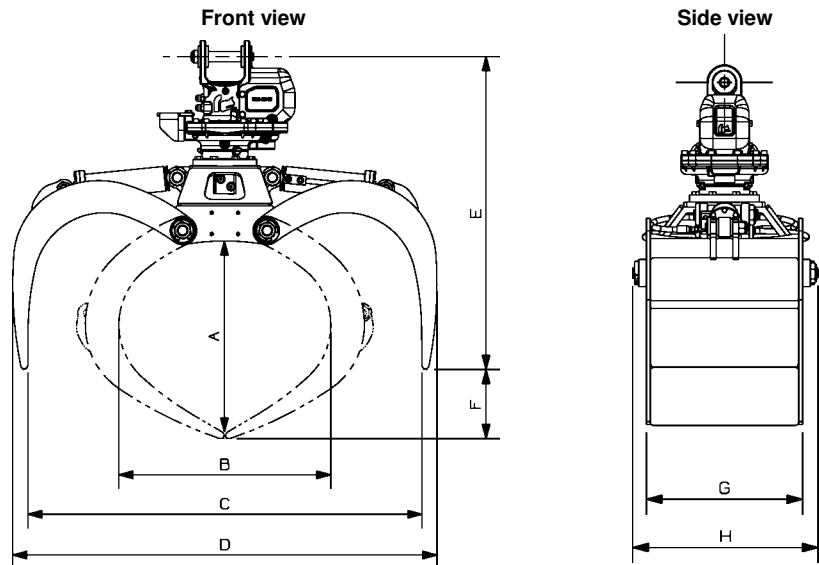
*High tensile strength steel: 165,000 psi (1138 MPa)

Rotator	Maximum pressure: 5000 psi (345 bars)	Recommended flow: 10 gpm (38 l/min.)
Rotator recommended flow will produce a speed of 30 rpm.		

Cylinder	Diameter	Recommended pressure	Pressure range	Flow range	Lock valves
Standard	3" (76 mm)	3000 psi (207 bars)	2500 - 3500 psi (172 - 241 bars)	7 - 11 gpm (27 - 42 l/min.)	no

Grapple cylinder maximum flow will theoretically produce a complete grapple open/close cycle in 4 seconds.

Reference	Dimension
A	27 in. (686 mm)
B	30 1/8 in. (765 mm)
C	55 7/8 in. (1419 mm)
D	60 1/8 in. (1527 mm)
E	44 1/4 in. (1124 mm)
F	9 3/4 in. (248 mm)
G	20 1/8 in. (511 mm)
H	23 7/8 in. (606 mm)



OPTIONS: Leveling plate 140 lb.

web site: www.rotobec.com

e-mail: rotobec@rotobec.com

Rotobec Inc.: Head office serving OEM's and Eastern Canada
 Rotobec West: Branch serving Western Canada and Western USA
 Rotobec USA: Branch serving Eastern and Central USA

Ph: (418) 383-3002 Fax: (418) 383-5334
 Ph: (250) 765-1161 Fax: (250) 765-0035
 Ph: (603) 444-2103 Fax: (603) 444-0327