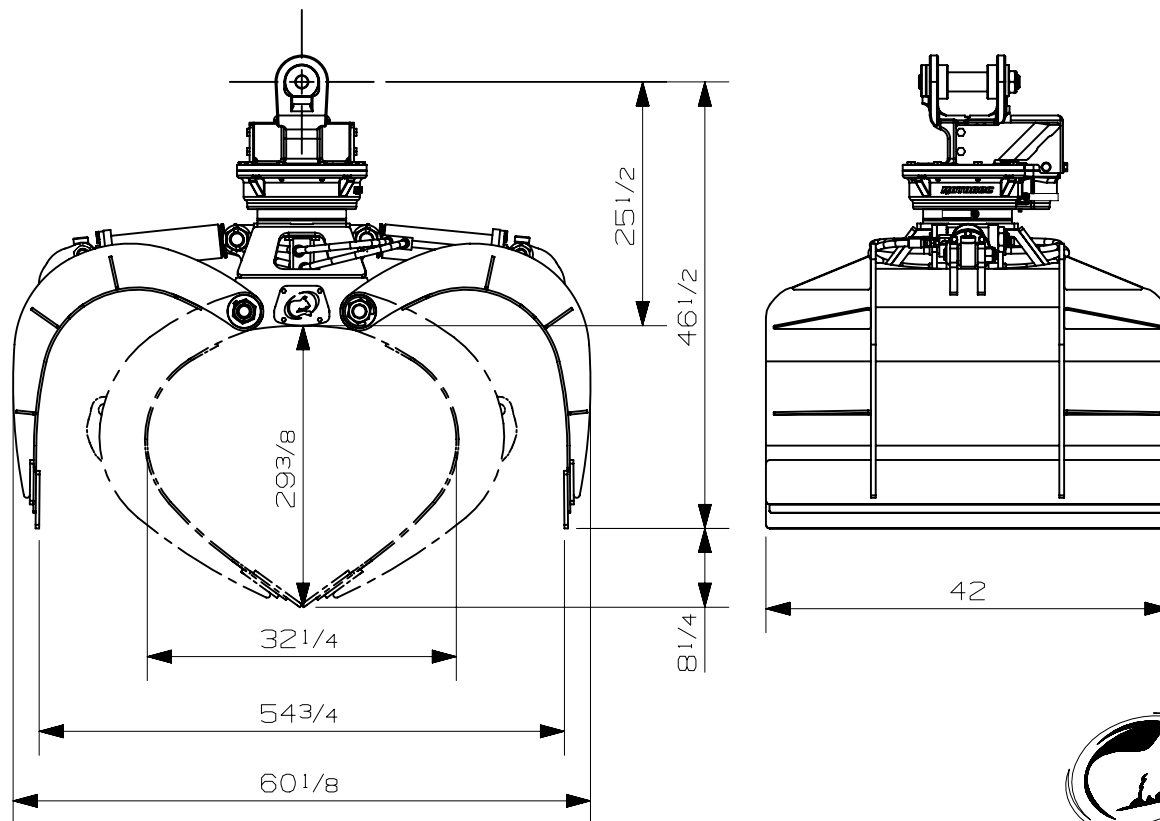


GRAPPIN A DECHETS 040W-A RT-252-1 WASTE GRAPPLE

SPECIFICATION TECHNIQUE TECHNICAL DATA



CAPACITE :	.59 vg ³
CAPACITY :	.45 m ³
ACIER :	CHT 360 1/2"
STEEL :	
POIDS :	1040 lbs
WEIGHT :	
DIA.DU CYLINDRE :	3"
CYLINDER DIAMETER :	
PRESSION MAXIMUM :	3500 PSI
MAXIMUM PRESSURE :	
DEBIT MAXIMUM :	11 GPM
MAXIMUM FLOW :	



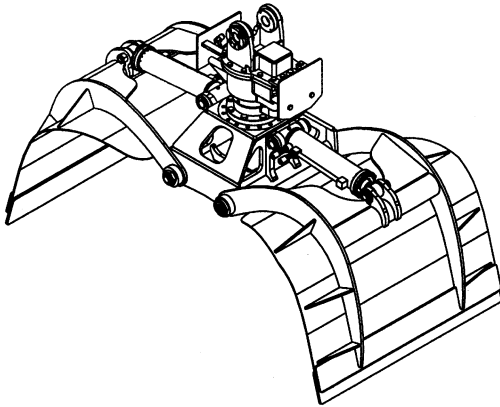
ROTOBEC™



ROTOBEC™

Waste Collection Grapple

040W with rotator R-9150



Opening	57 in. (1448 mm)	
Volume	0.52 cubic yards	0.40 cubic meters
Rotator lifting capacity	18000 lb (8165 kg)	
Torque at relief pressure	8450 in.lb (955 Nm)	@ 913 psi (63 bars)
Steel* thickness	1/2" (13 mm)	
Weight	1083 lb (491 kg)	

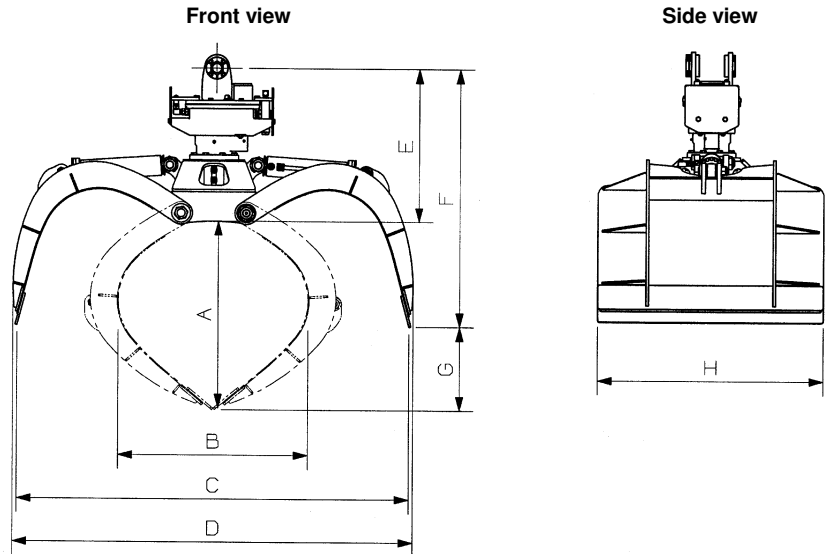
*High tensile strength steel: 165,000 psi (1138 MPa)

Rotator	Maximum pressure: 4000 psi (276 bars)	Recommended flow: 8 gpm (30 l/min.)
Rotator recommended flow will produce a speed of 30 rpm.		

Cylinder	Diameter	Recommended pressure	Pressure range	Flow range	Lock valves
Standard	3" (76 mm)	3000 psi (207 bars)	2500 - 3500 psi (172 - 241 bars)	7 - 11 gpm (27 - 42 l/min.)	no

Grapple cylinder maximum flow will theoretically produce a complete grapple open/close cycle in 4 seconds.

Reference	Dimension
A	30 1/2 in. (775 mm)
B	34 1/2 in. (876 mm)
C	57 in. (1448 mm)
D	61 7/8 in. (1572 mm)
E	28 3/8 in. (721 mm)
F	49 7/8 in. (1267 mm)
G	8 3/4 in. (222 mm)
H	42 in. (1067 mm)



web site: www.rotobec.com

e-mail: rotobec@rotobec.com

Rotobec Inc.: Head office serving OEM's and Eastern Canada
 Rotobec West: Branch serving Western Canada and Western USA
 Rotobec USA: Branch serving Eastern and Central USA

Ph: (418) 383-3002 Fax: (418) 383-5334
 Ph: (250) 765-1161 Fax: (250) 765-0035
 Ph: (603) 444-2103 Fax: (603) 444-0327