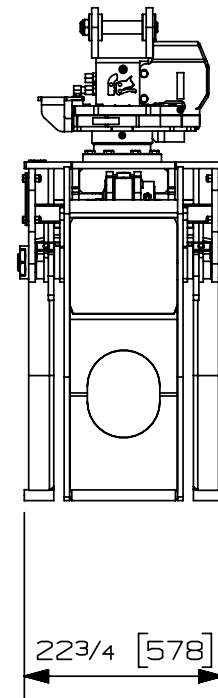
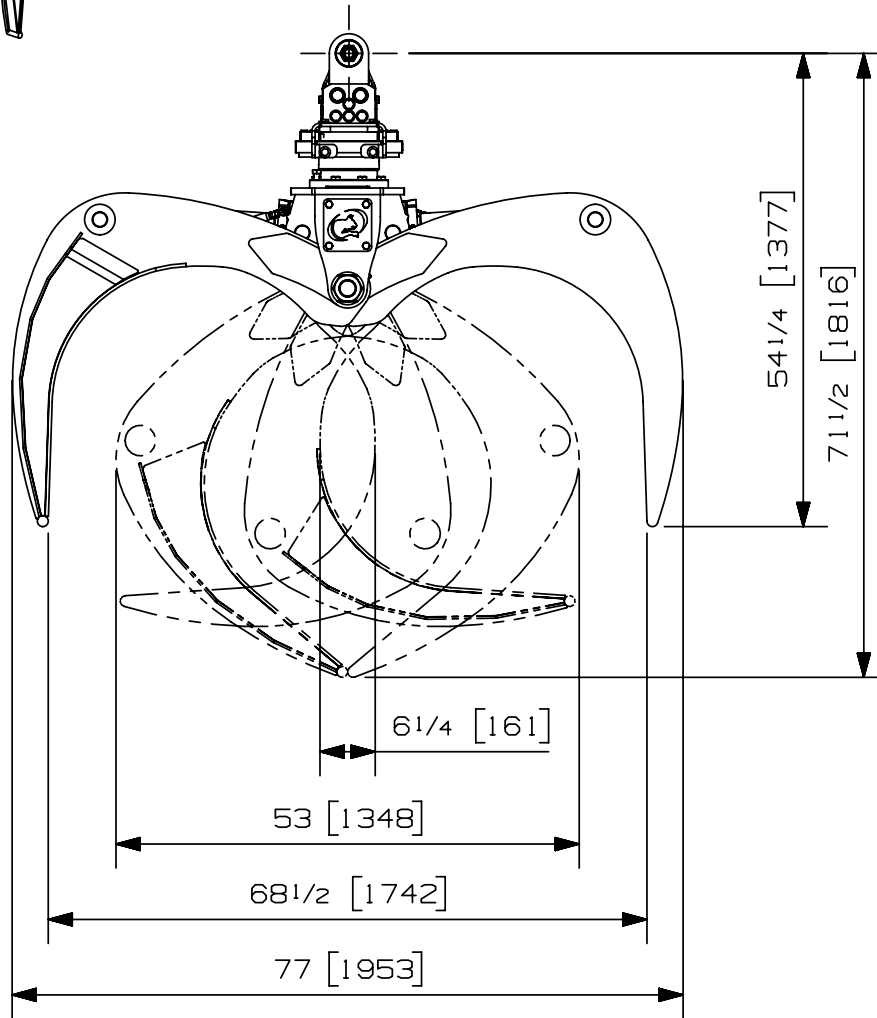


COMBINATION GRAPPLE

060C-A RT-222-2

COMBINE



SPECIFICATION TECHNIQUE TECHNICAL DATA

SURFACE UTILE PTE A PTE:	0.6 m ² / 6.5 ft ²
USEFUL AREA TIP TO TIP:	
POIDS:	530 kg / 1175 lbs
WEIGHT:	
STANDARD CYLINDER:	89 mm / 3 1/2 in
CYLINDER STANDARD:	
PRESSION MAXIMUM:	241 bar / 3500 PSI
MAXIMUM PRESSURE:	
DEBIT MAXIMUM:	95 l/min / 25 GPM
MAXIMUM FLOW:	
OPTIONAL CYLINDER:	76 mm / 3 in
CYLINDER OPTIONEL:	
PRESSION MAXIMUM:	344 bar / 5000 PSI
MAXIMUM PRESSURE:	
DEBIT MAXIMUM:	64 l/min / 17 GPM
MAXIMUM FLOW:	

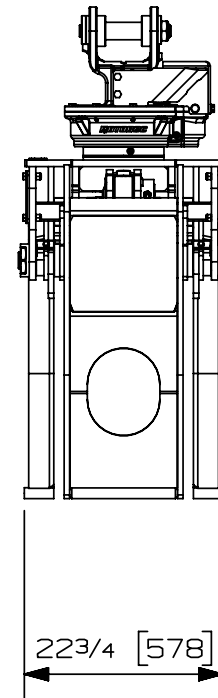
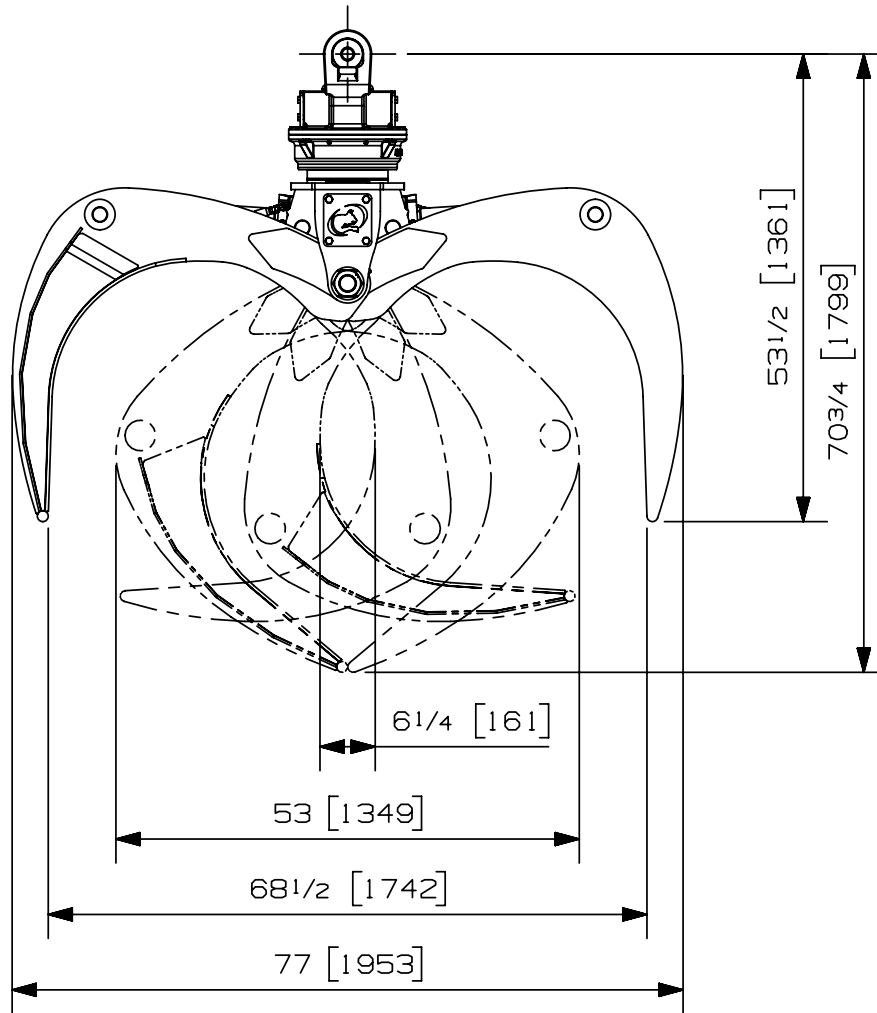


ROTOBEC™

COMBINATION GRAPPLE

060C-A RT-252-1

COMBINE



SPECIFICATION TECHNIQUE TECHNICAL DATA

SURFACE UTILE PTE A PTE: 0.6 m² / 6.5 ft²
USEFUL AREA TIP TO TIP:

POIDS: 545 kg / 1220 lbs
WEIGHT:

STANDARD CYLINDER: 89 mm / 3 1/2 in
CYLINDER STANDARD:

PRESSION MAXIMUM: 241 bar / 3500 PSI
MAXIMUM PRESSURE:

DEBIT MAXIMUM: 95 l/min / 25 GPM
MAXIMUM FLOW:

OPTIONAL CYLINDER: 76 mm / 3 in
CYLINDER OPTIONEL:

PRESSION MAXIMUM: 344 bar / 5000 PSI
MAXIMUM PRESSURE:

DEBIT MAXIMUM: 64 l/min / 17 GPM
MAXIMUM FLOW:

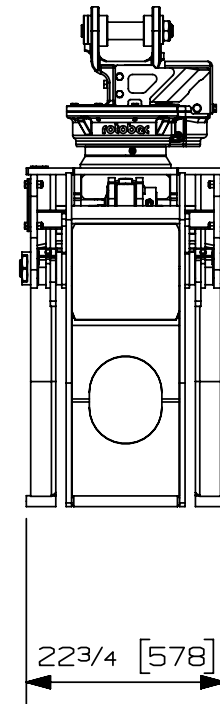
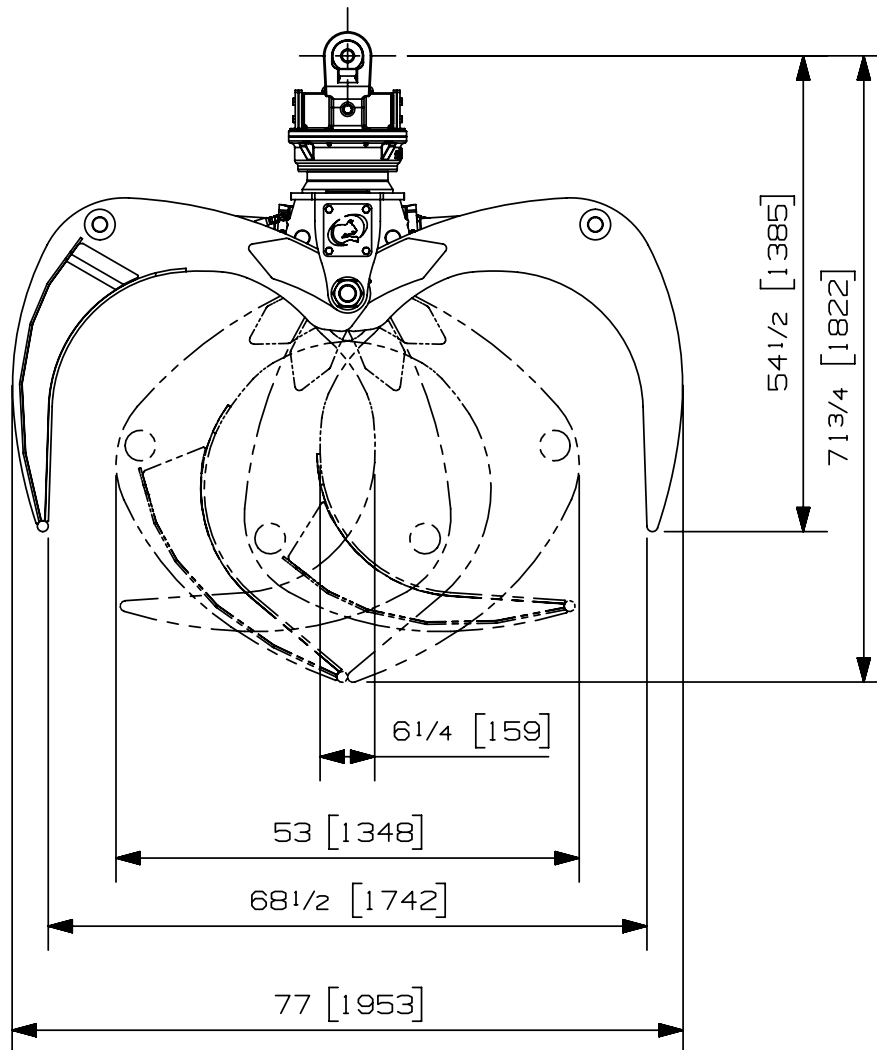


ROTOBEC™

COMBINATION GRAPPLE

060C-A RT-322-1

COMBINE



SPECIFICATION TECHNIQUE TECHNICAL DATA

SURFACE UTILE PTE A PTE: 0.6 m² / 6.5 ft²
USEFUL AREA TIP TO TIP:

POIDS: 572 kg / 1260 lbs
WEIGHT:

STANDARD CYLINDER: 89 mm / 3 1/2 in
CYLINDER STANDARD:

PRESSION MAXIMUM: 241 bar / 3500 PSI
MAXIMUM PRESSURE:

DEBIT MAXIMUM: 95 l/min / 25 GPM
MAXIMUM FLOW:

OPTIONAL CYLINDER: 76 mm / 3 in
CYLINDER OPTIONEL:

PRESSION MAXIMUM: 344 bar / 5000 PSI
MAXIMUM PRESSURE:

DEBIT MAXIMUM: 64 l/min / 17 GPM
MAXIMUM FLOW:



ROTOBEC™