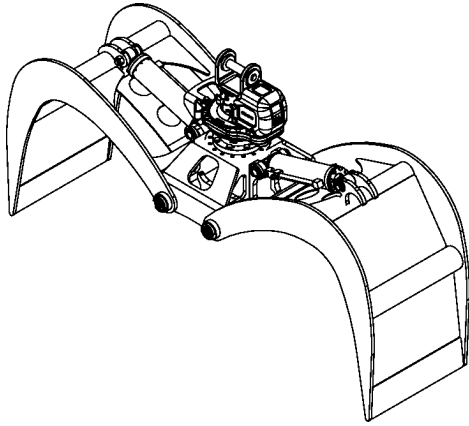




ROTOBEC™

Pulpwood grapple

090 with rotator RT-222



Opening	87 1/2 in. (2223 mm)
Closing	47 7/8 in. (1216 mm)
Volume	.585 cord of 8 ft. wood
Area tip to tip	9.4 sq. ft. (.87 sq. meter)
Rotator lifting capacity	22000 lb (9980 kg)
Torque at relief pressure	10700 in.lb (1209 Nm) @ 913 psi (63 bars)
Steel* thickness	5/8" (16 mm)
Weight	1220 lb (553 kg)

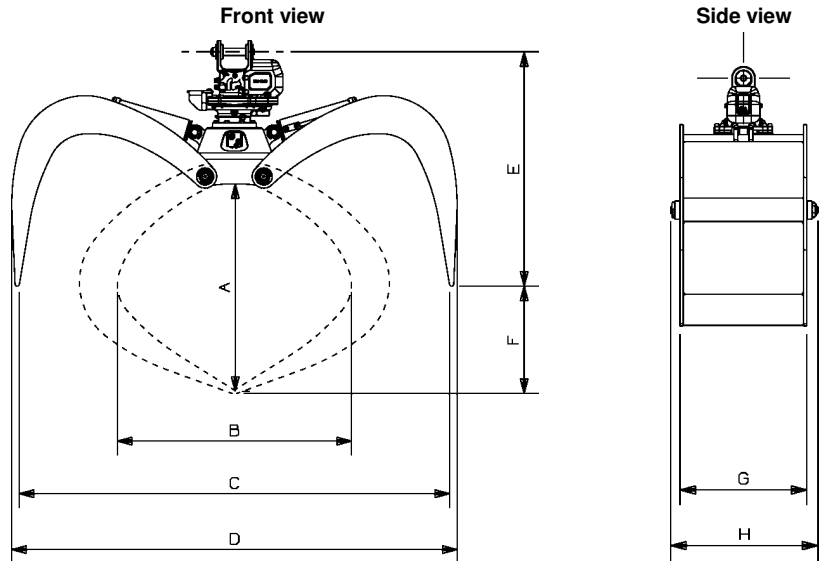
*High tensile strength steel: 165,000 psi (1138 MPa)

Rotator	Maximum pressure: 5000 psi (345 bars)	Recommended flow: 10 gpm (38 l/min.)
Rotator recommended flow will produce a speed of 30 rpm.		

Cylinder	Diameter	Recommended pressure	Pressure range	Flow range	Lock valves
Standard	4" (102 mm)	2250 psi (155 bars)	2000 - 2500 psi (138 - 172 bars)	20 - 30 gpm (76 - 114 l/min.)	no
Standard	3 1/2" (89 mm)	3050 psi (210 bars)	2600 - 3500 psi (179 - 241 bars)	15 - 22 gpm (57 - 83 l/min.)	no
Standard	3" (76 mm)	4050 psi (279 bars)	3600 - 4500 psi (248 - 310 bars)	10 - 15 gpm (38 - 57 l/min.)	no

Grapple cylinder maximum flow will theoretically produce a complete grapple open/close cycle in 4 seconds.

Reference	Dimension
A	42 3/8 in. (1076 mm)
B	47 7/8 in. (1216 mm)
C	87 1/2 in. (2223 mm)
D	90 7/8 in. (2308 mm)
E	47 7/8 in. (1216 mm)
F	21 5/8 in. (549 mm)
G	24 3/8 in. (619 mm)
H	28 5/8 in. (727 mm)



OPTIONS: Leveling plate 170 lb. Chain 135 lb. Synchro gears 150 lb.

web site: www.rotobec.com

e-mail: rotobec@rotobec.com

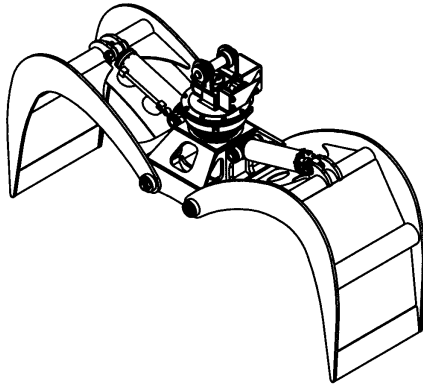
Rotobec Inc.: Head office serving OEM's and Eastern Canada
 Rotobec West: Branch serving Western Canada and Western USA
 Rotobec USA: Branch serving Eastern and Central USA

Ph: (418) 383-3002 Fax: (418) 383-5334
 Ph: (250) 765-1161 Fax: (250) 765-0035
 Ph: (603) 444-2103 Fax: (603) 444-0327



Pulpwood grapple

090 with rotator RT-252



Opening	87 1/2 in. (2223 mm)
Closing	47 7/8 in. (1216 mm)
Volume	.585 cord of 8 ft. wood
Area tip to tip	9.4 sq. ft. (.87 sq. meter)
Rotator lifting capacity	25000 lb (11340 kg)
Torque at relief pressure	16150 in.lb (1825 Nm) @ 1450 psi (100 bars)
Steel* thickness	5/8" (16 mm)
Weight	1265 lb (574 kg)

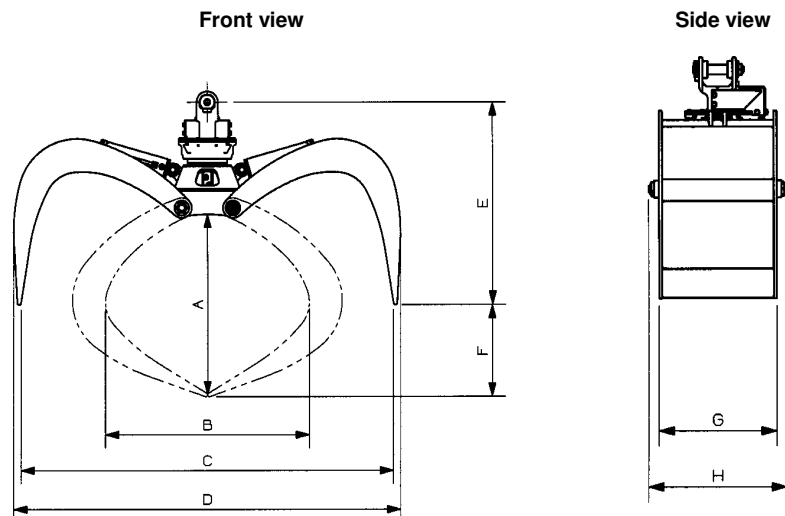
*High tensile strength steel: 165,000 psi (1138 MPa)

Rotator	Maximum pressure: 5000 psi (345 bars)	Recommended flow: 9 gpm (34 l/min.)
Rotator recommended flow will produce a speed of 30 rpm.		

Cylinder	Diameter	Recommended pressure	Pressure range	Flow range	Lock valves
Standard	4" (102 mm)	2250 psi (155 bars)	2000 - 2500 psi (138 - 172 bars)	20 - 30 gpm (76 - 114 l/min.)	no
Standard	3 1/2" (89 mm)	3050 psi (210 bars)	2600 - 3500 psi (179 - 241 bars)	15 - 22 gpm (57 - 83 l/min.)	no
Standard	3" (76 mm)	4050 psi (279 bars)	3600 - 4500 psi (248 - 310 bars)	10 - 15 gpm (38 - 57 l/min.)	no

Grapple cylinder maximum flow will theoretically produce a complete grapple open/close cycle in 4 seconds.

Reference	Dimension
A	42 3/8 in. (1076 mm)
B	47 7/8 in. (1216 mm)
C	87 1/2 in. (2223 mm)
D	90 7/8 in. (2308 mm)
E	47 1/2 in. (1207 mm)
F	21 5/8 in. (549 mm)
G	24 3/8 in. (619 mm)
H	28 5/8 in. (727 mm)



OPTIONS: Leveling plate 170 lb. Chain 135 lb. Synchro gears 150 lb.

web site: www.rotobec.com

e-mail: rotobec@rotobec.com

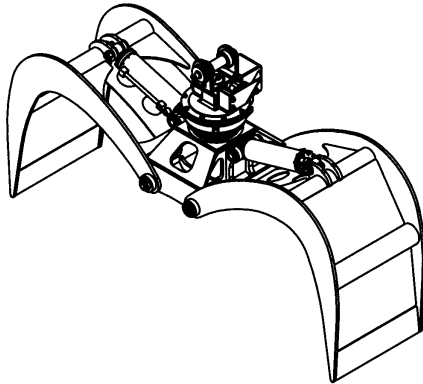
Rotobec Inc.: Head office serving OEM's and Eastern Canada
 Rotobec West: Branch serving Western Canada and Western USA
 Rotobec USA: Branch serving Eastern and Central USA

Ph: (418) 383-3002 Fax: (418) 383-5334
 Ph: (250) 765-1161 Fax: (250) 765-0035
 Ph: (603) 444-2103 Fax: (603) 444-0327



Pulpwood grapple

090 with rotator RT-322



Opening	87 1/2 in. (2223 mm)
Closing	47 7/8 in. (1216 mm)
Volume	.585 cord of 8 ft. wood
Area tip to tip	9.4 sq. ft. (.87 sq. meter)
Rotator lifting capacity	32000 lb (14515 kg)
Torque at relief pressure	16150 in.lb (1825 Nm) @ 1450 psi (100 bars)
Steel* thickness	5/8" (16 mm)
Weight	1305 lb (592 kg)

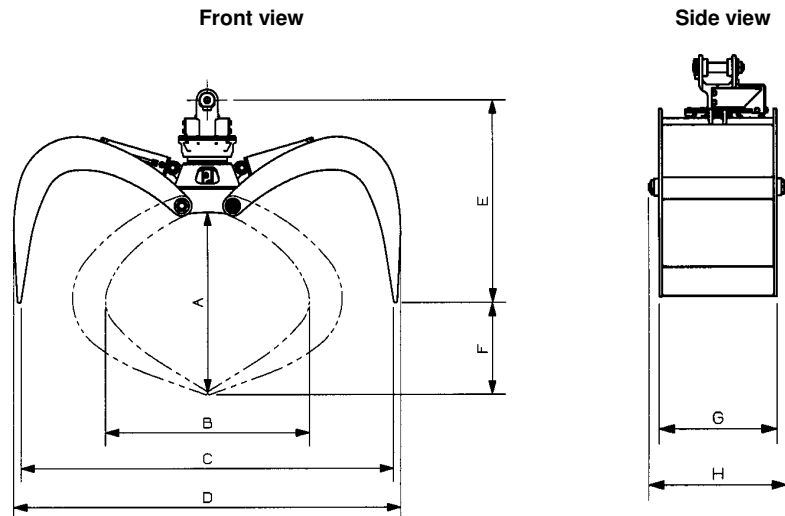
*High tensile strength steel: 165,000 psi (1138 MPa)

Rotator	Maximum pressure: 5000 psi (345 bars)	Recommended flow: 9 gpm (34 l/min.)
Rotator recommended flow will produce a speed of 30 rpm.		

Cylinder	Diameter	Recommended pressure	Pressure range	Flow range	Lock valves
Standard	4" (102 mm)	2250 psi (155 bars)	2000 - 2500 psi (138 - 172 bars)	20 - 30 gpm (76 - 114 l/min.)	no
Standard	3 1/2" (89 mm)	3050 psi (210 bars)	2600 - 3500 psi (179 - 241 bars)	15 - 22 gpm (57 - 83 l/min.)	no
Standard	3" (76 mm)	4050 psi (279 bars)	3600 - 4500 psi (248 - 310 bars)	10 - 15 gpm (38 - 57 l/min.)	no

Grapple cylinder maximum flow will theoretically produce a complete grapple open/close cycle in 4 seconds.

Reference	Dimension
A	42 3/8 in. (1076 mm)
B	47 7/8 in. (1216 mm)
C	87 1/2 in. (2223 mm)
D	90 7/8 in. (2308 mm)
E	48 1/2 in. (1232 mm)
F	21 5/8 in. (549 mm)
G	24 3/8 in. (619 mm)
H	28 5/8 in. (727 mm)



OPTIONS: Leveling plate 170 lb. Chain 135 lb. Synchro gears 150 lb.

web site: www.rotobec.com

e-mail: rotobec@rotobec.com

Rotobec Inc.: Head office serving OEM's and Eastern Canada
 Rotobec West: Branch serving Western Canada and Western USA
 Rotobec USA: Branch serving Eastern and Central USA

Ph: (418) 383-3002 Fax: (418) 383-5334
 Ph: (250) 765-1161 Fax: (250) 765-0035
 Ph: (603) 444-2103 Fax: (603) 444-0327