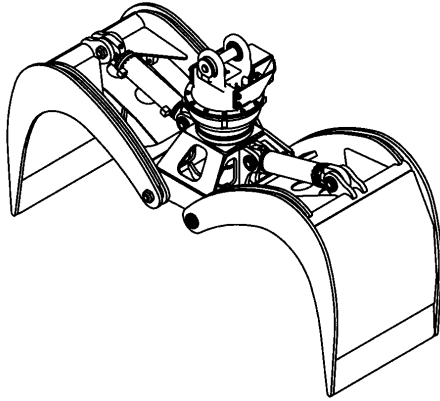




ROTOBEC™

Pulpwood grapple

090HD with rotator RT-502-STD



Opening	86 1/2 in. (2197 mm)
Closing	46 5/8 in. (1184 mm)
Volume	.577 cord of 8 ft. wood
Area tip to tip	9.2 sq. ft. (.86 sq. meter)
Rotator lifting capacity	50000 lb (22680 kg)
Torque at relief pressure	18630 in.lb (2105 Nm) @ 1450 psi (100 bars)
Steel* thickness	3/4" (19 mm)
Weight	2270 lb (1030 kg)

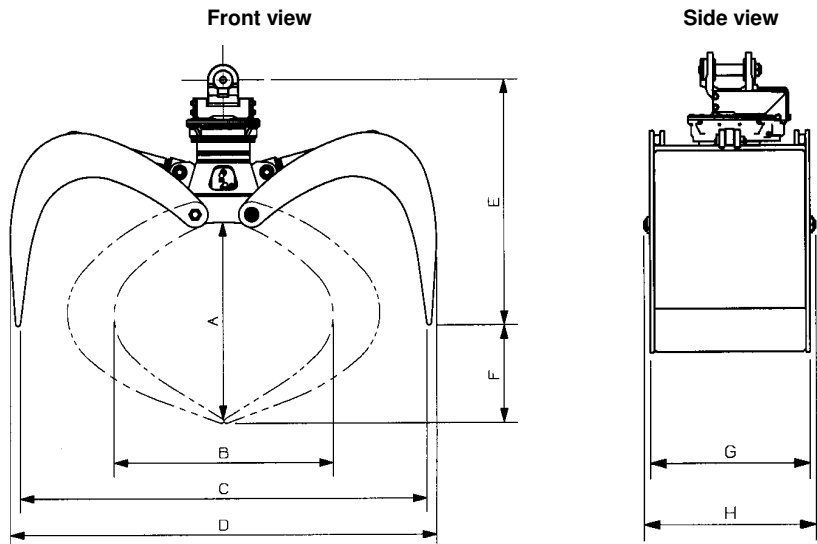
*High tensile strength steel: 165,000 psi (1138 MPa)

Rotator	Maximum pressure: 5000 psi (345 bars)	Recommended flow: 9 gpm (34 l/min.)
Rotator recommended flow will produce a speed of 25 rpm.		

Cylinder	Diameter	Recommended pressure	Pressure range	Flow range	Lock valves
Standard	4 1/2" (114 mm)	2500 psi (172 bars)	2000 - 3000 psi (138 - 207 bars)	26 - 39 gpm (98 - 148 l/min.)	no
Standard	3 1/2" (89 mm)	3800 psi (262 bars)	3100 - 4500 psi (214 - 310 bars)	15 - 22 gpm (57 - 83 l/min.)	no

Grapple cylinder maximum flow will theoretically produce a complete grapple open/close cycle in 4 seconds.

Reference	Dimension
A	42 in. (1067 mm)
B	46 5/8 in. (1184 mm)
C	86 1/2 in. (2197 mm)
D	90 5/8 in. (2302 mm)
E	53 1/8 in. (1349 mm)
F	20 7/8 in. (530 mm)
G	29 5/8 in. (752 mm)
H	31 7/8 in. (810 mm)



OPTIONS: Leveling plate 170 lb. Chain 135 lb. Synchro gears 125 lb. Impact protection relief valve.

web site: www.rotobec.com

e-mail: rotobec@rotobec.com

Rotobec Inc.: Head office serving OEM's and Eastern Canada
 Rotobec West: Branch serving Western Canada and Western USA
 Rotobec USA: Branch serving Eastern and Central USA

Ph: (418) 383-3002 Fax: (418) 383-5334
 Ph: (250) 765-1161 Fax: (250) 765-0035
 Ph: (603) 444-2103 Fax: (603) 444-0327