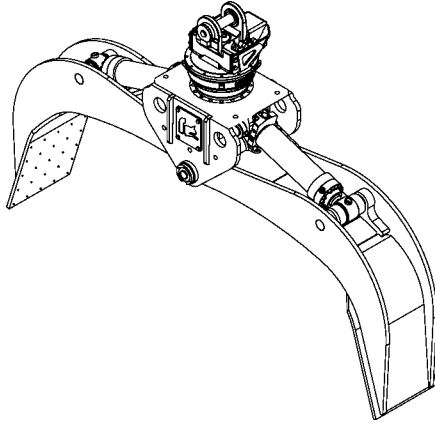




ROTOBEC™

Rail Grapple

108TBG with rotator RT-252



Opening	108 in. (2743 mm)
Closing	34 1/4 in. (870 mm)
Volume	.538 cord of 8 ft. wood
Area tip to tip	8.6 sq. ft. (.8 sq. meter)
Rotator lifting capacity	25000 lb (11340 kg)
Torque at relief pressure	16150 in.lb (1825 Nm) @ 1450 psi (100 bars)
Steel* thickness	1" (25 mm)
Weight	2550 lb (1157 kg)

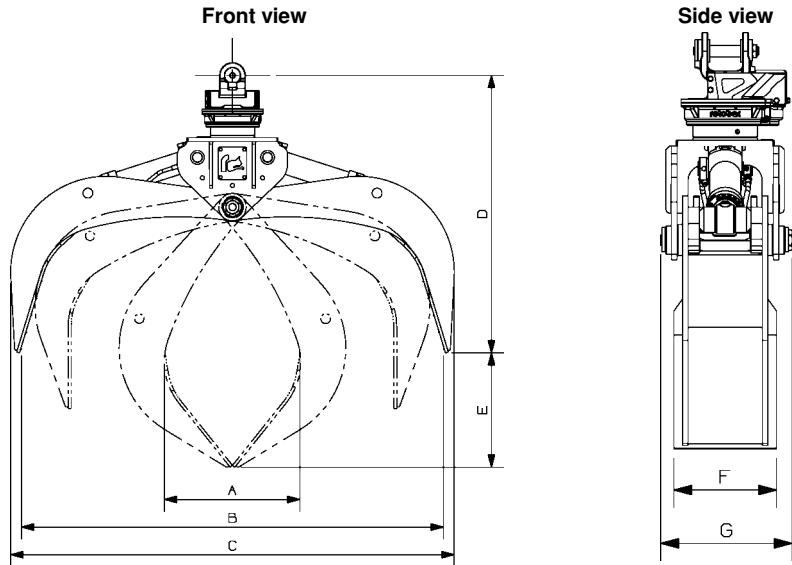
*High tensile strength steel: 165,000 psi (1138 MPa)

Rotator	Maximum pressure: 5000 psi (345 bars)	Recommended flow: 9 gpm (34 l/min.)
Rotator recommended flow will produce a speed of 30 rpm.		

Cylinder	Diameter	Recommended pressure	Pressure range	Flow range	Lock valves
Standard	4 1/2" (114 mm)	3000 psi (207 bars)	2500 - 5000 psi (172 - 345 bars)	29 - 41 gpm (110 - 155 l/min.)	yes

Grapple cylinder maximum flow will theoretically produce a complete grapple open/close cycle in 5 seconds.

Reference	Dimension
A	34 1/4 in. (870 mm)
B	108 in. (2743 mm)
C	112 5/8 in. (2861 mm)
D	68 3/8 in. (1737 mm)
E	29 in. (737 mm)
F	18 in. (457 mm)
G	23 in. (584 mm)
H	



web site: www.rotobec.com

e-mail: rotobec@rotobec.com

Rotobec Inc.: Head office serving OEM's and Eastern Canada
 Rotobec West: Branch serving Western Canada and Western USA
 Rotobec USA: Branch serving Eastern and Central USA

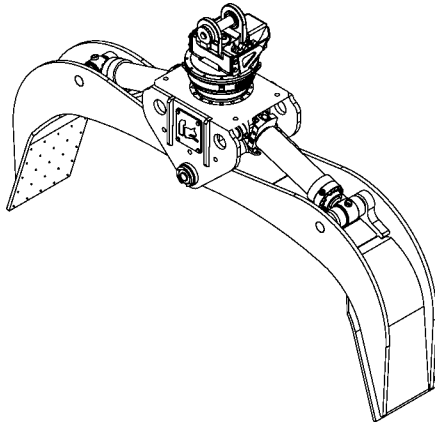
Ph: (418) 383-3002 Fax: (418) 383-5334
 Ph: (250) 765-1161 Fax: (250) 765-0035
 Ph: (603) 444-2103 Fax: (603) 444-0327



ROTOBEC™

Rail Grapple

108TBG with rotator RT-322



Opening	108 in. (2743 mm)
Closing	34 1/4 in. (870 mm)
Volume	.538 cord of 8 ft. wood
Area tip to tip	8.6 sq. ft. (.8 sq. meter)
Rotator lifting capacity	32000 lb (14515 kg)
Torque at relief pressure	16150 in.lb (1825 Nm) @ 1450 psi (100 bars)
Steel* thickness	1" (25 mm)
Weight	2590 lb (1175 kg)

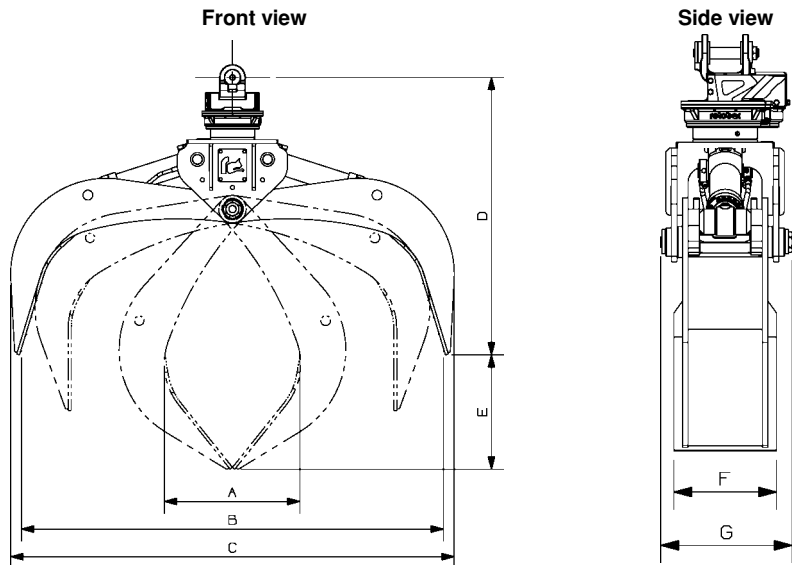
*High tensile strength steel: 165,000 psi (1138 MPa)

Rotator	Maximum pressure: 5000 psi (345 bars)	Recommended flow: 9 gpm (34 l/min.)
Rotator recommended flow will produce a speed of 30 rpm.		

Cylinder	Diameter	Recommended pressure	Pressure range	Flow range	Lock valves
Standard	4 1/2" (114 mm)	3000 psi (207 bars)	2500 - 5000 psi (172 - 345 bars)	29 - 41 gpm (110 - 155 l/min.)	yes

Grapple cylinder maximum flow will theoretically produce a complete grapple open/close cycle in 5 seconds.

Reference	Dimension
A	34 1/4 in. (870 mm)
B	108 in. (2743 mm)
C	112 5/8 in. (2861 mm)
D	69 1/2 in. (1765 mm)
E	29 in. (737 mm)
F	18 in. (457 mm)
G	23 in. (584 mm)
H	



web site: www.rotobec.com

e-mail: rotobec@rotobec.com

Rotobec Inc.: Head office serving OEM's and Eastern Canada
 Rotobec West: Branch serving Western Canada and Western USA
 Rotobec USA: Branch serving Eastern and Central USA

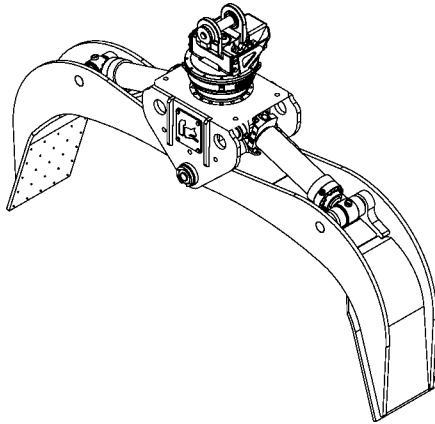
Ph: (418) 383-3002 Fax: (418) 383-5334
 Ph: (250) 765-1161 Fax: (250) 765-0035
 Ph: (603) 444-2103 Fax: (603) 444-0327



ROTOBEC™

Rail Grapple

108TBG with rotator RT-502-STD



Opening	108 in. (2743 mm)
Closing	34 1/4 in. (870 mm)
Volume	.538 cord of 8 ft. wood
Area tip to tip	8.6 sq. ft. (.8 sq. meter)
Rotator lifting capacity	50000 lb (22680 kg)
Torque at relief pressure	18630 in.lb (2105 Nm) @ 1450 psi (100 bars)
Steel* thickness	1" (25 mm)
Weight	2735 lb (1241 kg)

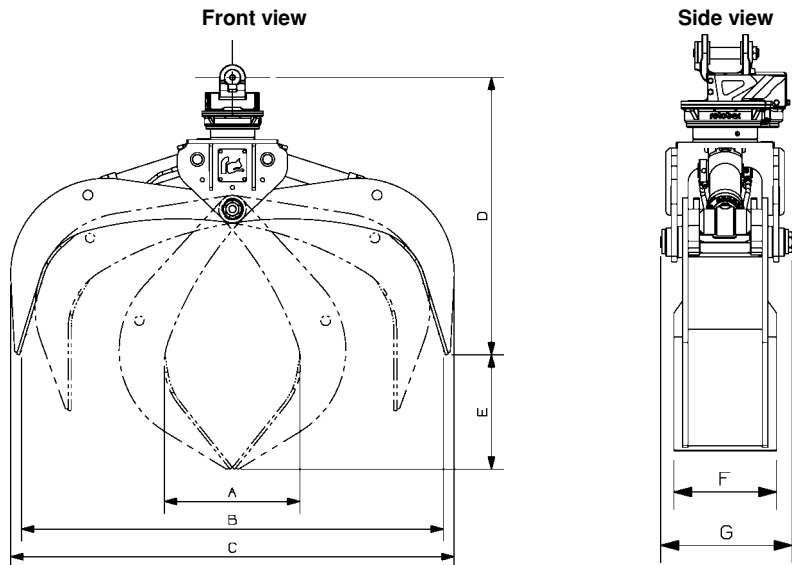
*High tensile strength steel: 165,000 psi (1138 MPa)

Rotator	Maximum pressure: 5000 psi (345 bars)	Recommended flow: 9 gpm (34 l/min.)
Rotator recommended flow will produce a speed of 25 rpm.		

Cylinder	Diameter	Recommended pressure	Pressure range	Flow range	Lock valves
Standard	4 1/2" (114 mm)	3000 psi (207 bars)	2500 - 5000 psi (172 - 345 bars)	29 - 41 gpm (110 - 155 l/min.)	yes

Grapple cylinder maximum flow will theoretically produce a complete grapple open/close cycle in 5 seconds.

Reference	Dimension
A	34 1/4 in. (870 mm)
B	108 in. (2743 mm)
C	112 5/8 in. (2861 mm)
D	70 3/8 in. (1788 mm)
E	29 in. (737 mm)
F	18 in. (457 mm)
G	23 in. (584 mm)
H	



web site: www.rotobec.com

e-mail: rotobec@rotobec.com

Rotobec Inc.: Head office serving OEM's and Eastern Canada
 Rotobec West: Branch serving Western Canada and Western USA
 Rotobec USA: Branch serving Eastern and Central USA

Ph: (418) 383-3002 Fax: (418) 383-5334
 Ph: (250) 765-1161 Fax: (250) 765-0035
 Ph: (603) 444-2103 Fax: (603) 444-0327