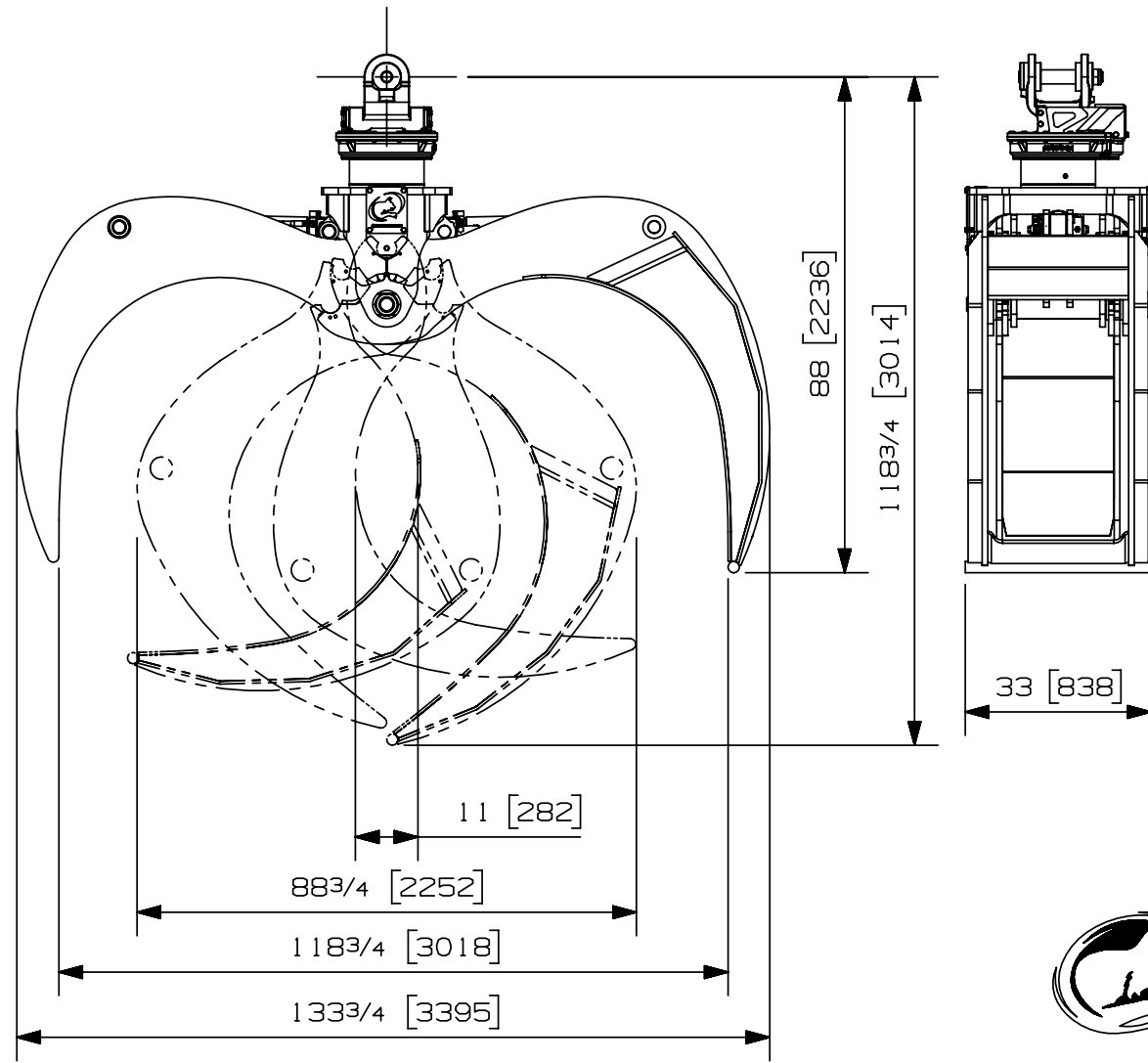


COMBINATION GRAPPLE

175CHD-A RT-1002STDHT-1

COMBINE



SPECIFICATION TECHNIQUE TECHNICAL DATA

SURFACE UTILE PTE A PTE:	1.75 m ² / 18.83 ft ²
USEFUL AREA TIP TO TIP:	
POIDS:	2320 kg / 5110 lb
WEIGHT:	
DIA. DU CYLINDRE:	102 mm / 4 in
CYLINDER DIAMETER:	
PRESSION MAXIMUM:	344 bar / 5000 PSI
MAXIMUM PRESSURE:	
DEBIT MAXIMUM:	159 l/min / 42 GPM
MAXIMUM FLOW:	



ROTOBEC™