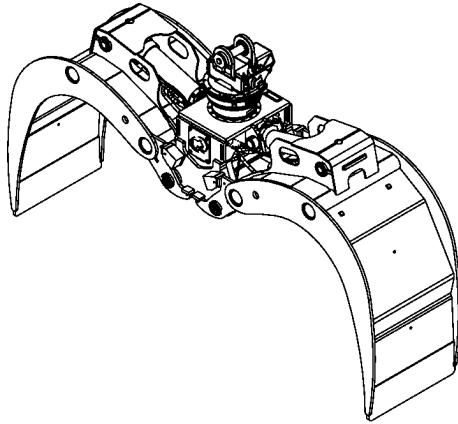




ROTOBEC™

Pulpwood grapple

185P with rotator RT-504-HT



Opening	125 in. (3175 mm)
Closing	65 1/2 in. (1664 mm)
Volume	1.25 cord of 8 ft. wood
Area tip to tip	20 sq. ft. (1.86 sq. meter)
Rotator lifting capacity	50000 lb (22680 kg)
Torque at relief pressure	23260 in.lb (2628 Nm) @ 1810 psi (125 bars)
Steel* thickness	3/4" (19 mm)
Weight	3535 lb (1603 kg)

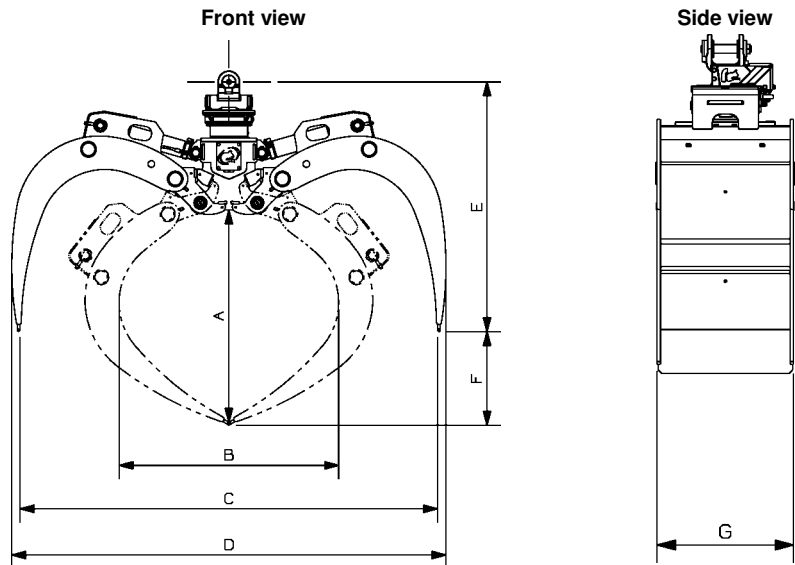
*High tensile strength steel: 165,000 psi (1138 MPa)

Rotator	Maximum pressure: 5000 psi (345 bars)	Recommended flow: 9 gpm (34 l/min.)
Rotator recommended flow will produce a speed of 25 rpm.		

Cylinder	Diameter	Recommended pressure	Pressure range	Flow range	Lock valves
Standard	4" (102 mm)	4250 psi (293 bars)	3500 - 5000 psi (241 - 345 bars)	28 - 42 gpm (106 - 159 l/min.)	yes

Grapple cylinder maximum flow will theoretically produce a complete grapple open/close cycle in 4 seconds.

Reference	Dimension
A	63 1/4 in. (1607 mm)
B	65 1/2 in. (1664 mm)
C	125 in. (3175 mm)
D	129 1/2 in. (3289 mm)
E	74 1/2 in. (1892 mm)
F	28 in. (711 mm)
G	31 in. (787 mm)
H	



OPTIONS: Leveling plate 145 lb, one side only. Chain 195 lb. Standard with hydraulic synchronization system, and replaceable weld-on cutting edges.

web site: www.rotobec.com

e-mail: rotobec@rotobec.com

Rotobec Inc.: Head office serving OEM's and Eastern Canada
 Rotobec West: Branch serving Western Canada and Western USA
 Rotobec USA: Branch serving Eastern and Central USA

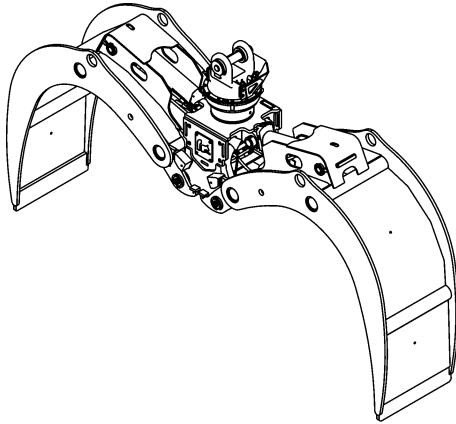
Ph: (418) 383-3002 Fax: (418) 383-5334
 Ph: (250) 765-1161 Fax: (250) 765-0035
 Ph: (603) 444-2103 Fax: (603) 444-0327



ROTOBEC™

Pulpwood grapple

185P with rotator RT-1004-HT



Opening	125 in. (3175 mm)
Closing	65 1/2 in. (1664 mm)
Volume	1.25 cord of 8 ft. wood
Area tip to tip	20 sq. ft. (1.86 sq. meter)
Rotator lifting capacity	100000 lb (45360 kg)
Torque at relief pressure	27910 in.lb (3154 Nm) @ 1810 psi (125 bars)
Steel* thickness	3/4" (19 mm)
Weight	3775 lb (1712 kg)

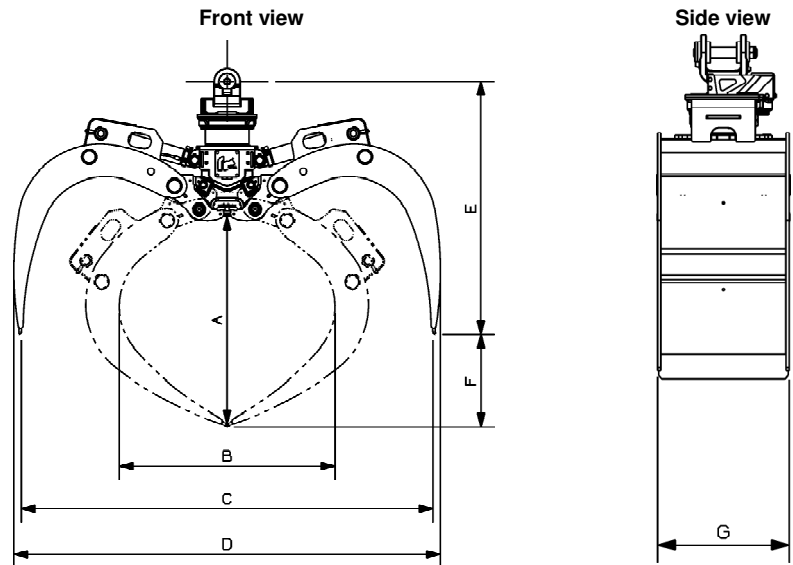
*High tensile strength steel: 165,000 psi (1138 MPa)

Rotator	Maximum pressure: 5000 psi (345 bars)	Recommended flow: 8 gpm (30 l/min.)
Rotator recommended flow will produce a speed of 20 rpm.		

Cylinder	Diameter	Recommended pressure	Pressure range	Flow range	Lock valves
Standard	4" (102 mm)	4250 psi (293 bars)	3500 - 5000 psi (241 - 345 bars)	28 - 42 gpm (106 - 159 l/min.)	yes

Grapple cylinder maximum flow will theoretically produce a complete grapple open/close cycle in 4 seconds.

Reference	Dimension
A	63 1/4 in. (1607 mm)
B	65 1/2 in. (1664 mm)
C	125 in. (3175 mm)
D	129 1/2 in. (3289 mm)
E	77 1/4 in. (1962 mm)
F	28 in. (711 mm)
G	31 in. (787 mm)
H	



OPTIONS: Leveling plate 145 lb, one side only. Chain 195 lb. Standard with hydraulic synchronization system, and replaceable weld-on cutting edges.

web site: www.rotobec.com

e-mail: rotobec@rotobec.com

Rotobec Inc.: Head office serving OEM's and Eastern Canada
 Rotobec West: Branch serving Western Canada and Western USA
 Rotobec USA: Branch serving Eastern and Central USA

Ph: (418) 383-3002 Fax: (418) 383-5334
 Ph: (250) 765-1161 Fax: (250) 765-0035
 Ph: (603) 444-2103 Fax: (603) 444-0327