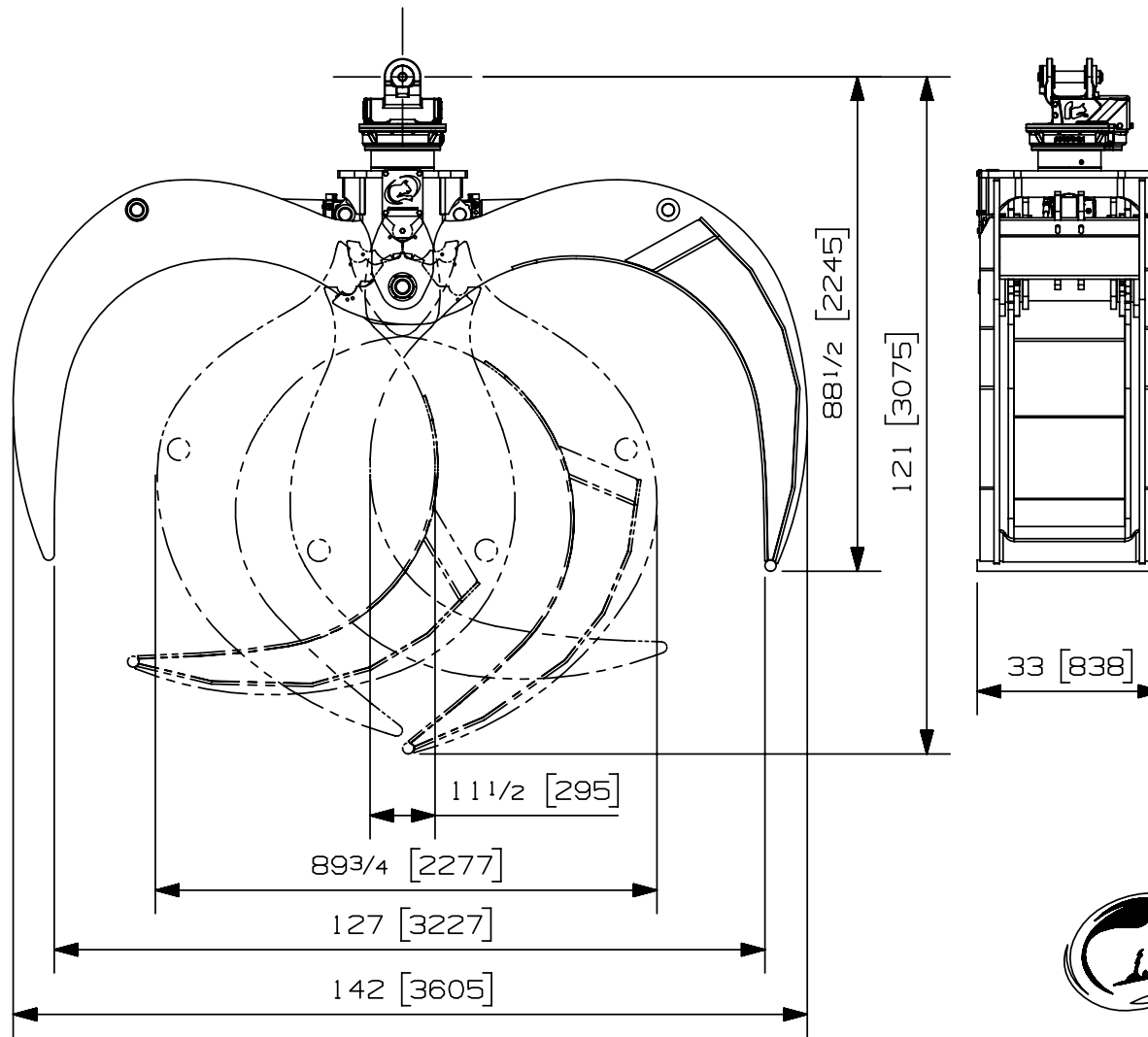


COMBINATION GRAPPLE 200C-A RT-502STDHT-1 COMBINE

SPECIFICATION TECHNIQUE TECHNICAL DATA

SURFACE UTILE PTE A PTE:	2.00 m ² / 21.53 ft ²
USEFUL AREA TIP TO TIP:	
POIDS:	2168 kg / 4780 lb
WEIGHT:	
DIA. DU CYLINDRE:	102 mm / 4 in
CYLINDER DIAMETER:	
PRESSION MAXIMUM:	344 bar / 5000 PSI
MAXIMUM PRESSURE:	
DEBIT MAXIMUM:	159 l/min / 42 GPM
MAXIMUM FLOW:	

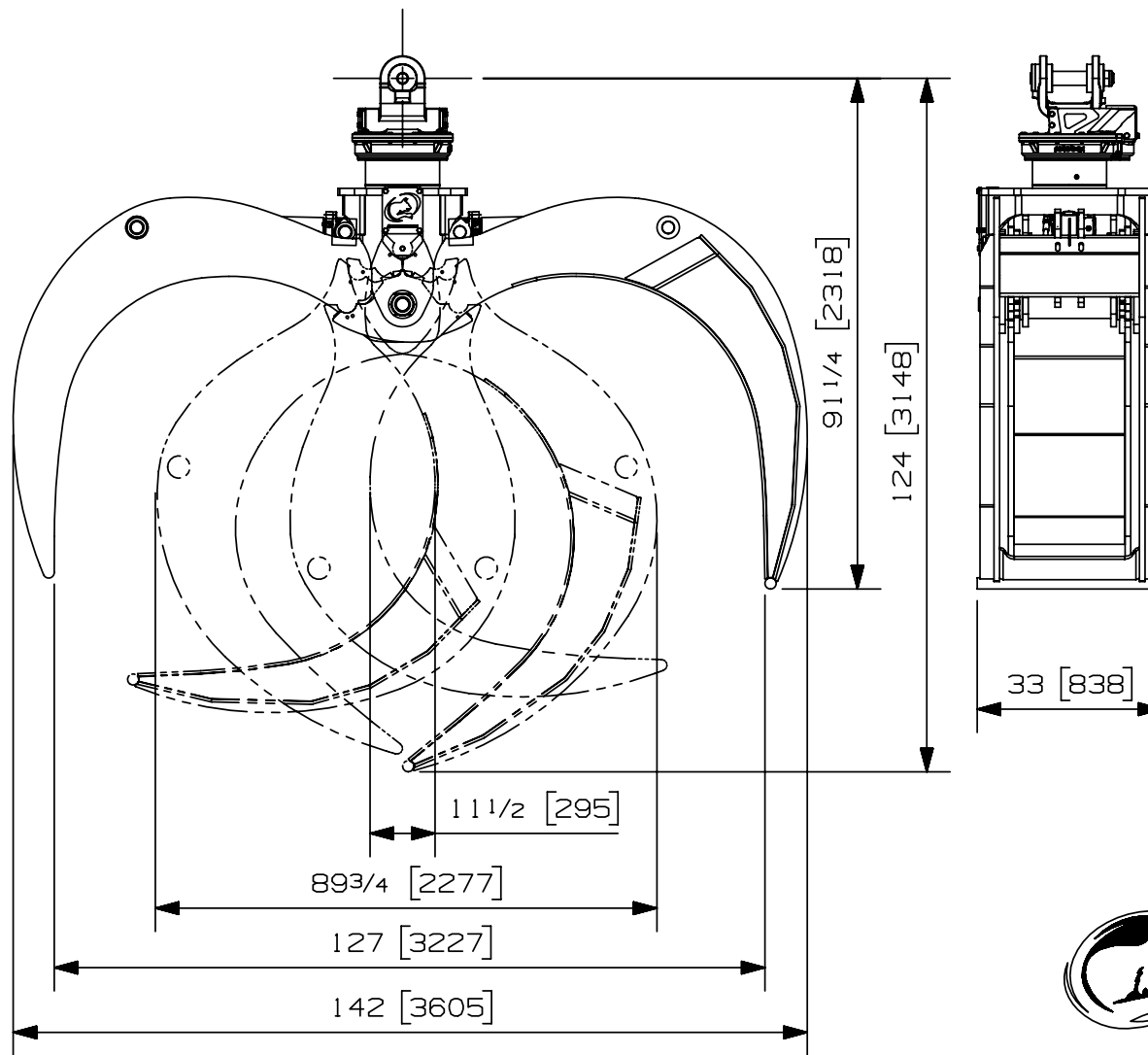


ROTOBEC™

COMBINATION GRAPPLE 200C-A RT-1002STDHT-1 COMBINE

SPECIFICATION TECHNIQUE TECHNICAL DATA

SURFACE UTILE PTE A PTE: USEFUL AREA TIP TO TIP:	2.00 m ² / 21.53 ft ²
POIDS: WEIGHT:	2265 kg / 4980 lb
DIA. DU CYLINDRE: CYLINDER DIAMETER:	102 mm / 4 in
PRESSION MAXIMUM: MAXIMUM PRESSURE:	344 bar / 5000 PSI
DEBIT MAXIMUM: MAXIMUM FLOW:	159 l/min / 42 GPM



ROTOBEC™