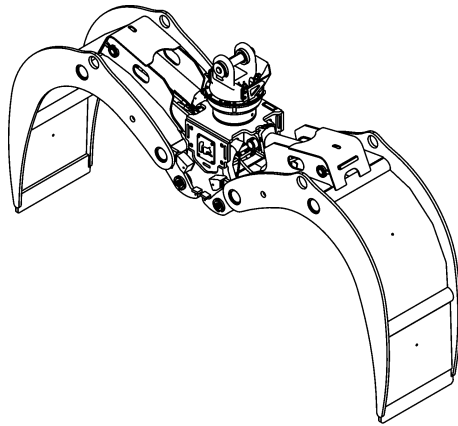




# Pulpwood grapple

## 225P with rotator RT-1004-HT



<b>Opening</b>	135 3/4 in. (3448 mm)
<b>Closing</b>	72 3/4 in. (1848 mm)
<b>Volume</b>	1.50 cord of 8 ft. wood
<b>Area tip to tip</b>	24 sq. ft. (2.23 sq. meter)
<b>Rotator lifting capacity</b>	100000 lb (45360 kg)
<b>Torque at relief pressure</b>	27910 in.lb (3154 Nm) @ 1810 psi (125 bars)
<b>Steel* thickness</b>	3/4" (19 mm)
<b>Weight</b>	3985 lb (1808 kg)

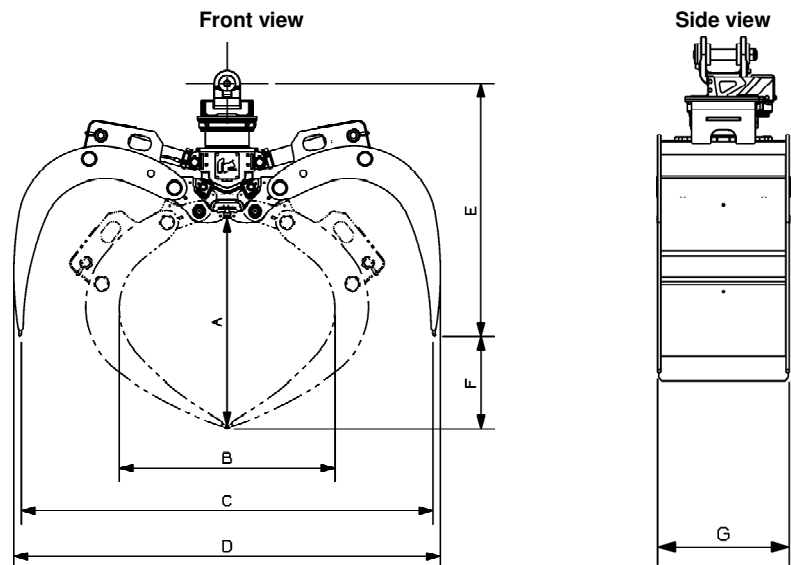
\*High tensile strength steel: 165,000 psi (1138 MPa)

<b>Rotator</b>	<b>Maximum pressure:</b> 5000 psi (345 bars)	<b>Recommended flow:</b> 8 gpm (30 l/min.)
Rotator recommended flow will produce a speed of 20 rpm.		

Cylinder	Diameter	Recommended pressure	Pressure range	Flow range	Lock valves
Standard	4" (102 mm)	4250 psi (293 bars)	3500 - 5000 psi (241 - 345 bars)	28 - 42 gpm (106 - 159 l/min.)	yes

Grapple cylinder maximum flow will theoretically produce a complete grapple open/close cycle in 4 seconds.

Reference	Dimension
A	69 1/2 in. (1765 mm)
B	72 3/4 in. (1848 mm)
C	135 3/4 in. (3448 mm)
D	141 3/4 in. (3600 mm)
E	80 in. (2032 mm)
F	31 1/4 in. (794 mm)
G	31 in. (787 mm)
H	



OPTIONS: Leveling plate 145 lb, one side only. Chain 205 lb. Standard with hydraulic synchronization system, and replaceable weld-on cutting edges.

web site: [www.rotobec.com](http://www.rotobec.com)

e-mail: [rotobec@rotobec.com](mailto:rotobec@rotobec.com)

Rotobec Inc.: Head office serving OEM's and Eastern Canada  
 Rotobec West: Branch serving Western Canada and Western USA  
 Rotobec USA: Branch serving Eastern and Central USA

Ph: (418) 383-3002 Fax: (418) 383-5334  
 Ph: (250) 765-1161 Fax: (250) 765-0035  
 Ph: (603) 444-2103 Fax: (603) 444-0327