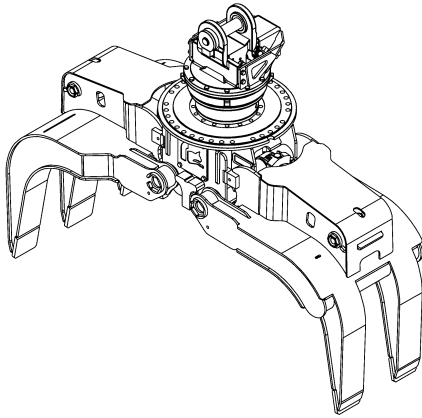




# Power Attachment

## RPA3045D32 with rotator RT-504



<b>Opening</b>	74 3/8 in. (1889 mm)
<b>Closing</b>	9 1/2 in. (241 mm)
<b>Volume</b>	1.00 cubic yards    .77 cubic meters
<b>Area tip to tip</b>	5.1 sq. ft. (.48 sq. meter)
<b>Rotator lifting capacity</b>	50000 lb (22680 kg)
<b>Torque at relief pressure</b>	18630 in.lb (2105 Nm)    @ 1450 psi (100 bars)
<b>Steel* thickness</b>	3/8" (10 mm)
<b>Weight</b>	2220 lb (1007 kg)

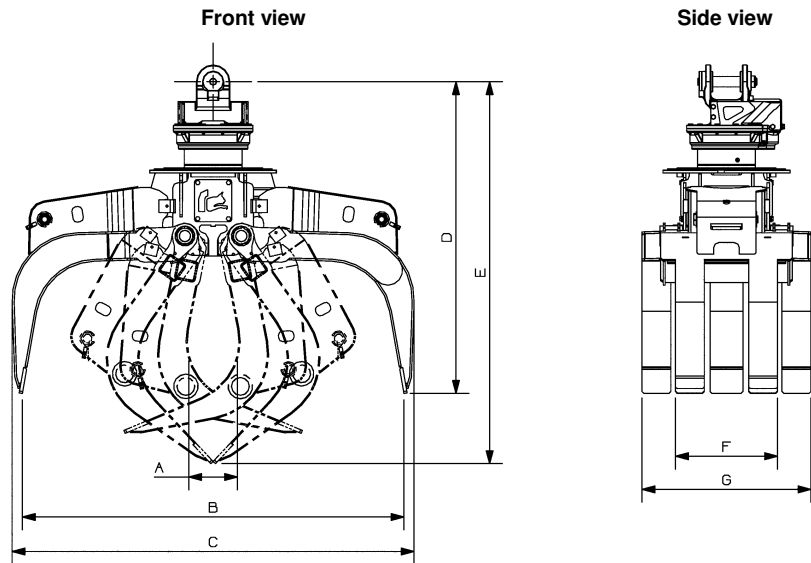
\*High tensile strength steel: 165,000 psi (1138 MPa)

<b>Rotator</b>	<b>Maximum pressure:</b> 5000 psi (345 bars)	<b>Recommended flow:</b> 9 gpm (34 l/min.)
Rotator recommended flow will produce a speed of 25 rpm.		

Cylinder	Diameter	Recommended pressure	Pressure range	Flow range	Lock valves
Standard	3 1/2" (89 mm)	4000 psi (276 bars)	3000 - 5000 psi (207 - 345 bars)	14 - 20 gpm (53 - 76 l/min.)	no

Grapple cylinder maximum flow will theoretically produce a complete grapple open/close cycle in 4 seconds.

Reference	Dimension
A	9 1/2 in. (241 mm)
B	74 3/8 in. (1889 mm)
C	78 3/8 in. (1991 mm)
D	60 5/8 in. (1540 mm)
E	68 3/8 in. (1737 mm)
F	19 5/8 in. (498 mm)
G	32 7/8 in. (835 mm)



web site: [www.rotobec.com](http://www.rotobec.com)

e-mail: [rotobec@rotobec.com](mailto:rotobec@rotobec.com)

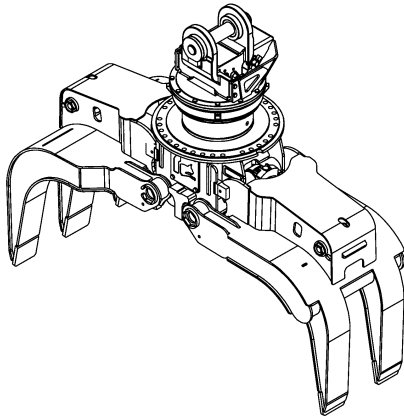
Rotobec Inc.: Head office serving OEM's and Eastern Canada  
 Rotobec West: Branch serving Western Canada and Western USA  
 Rotobec USA: Branch serving Eastern and Central USA

Ph: (418) 383-3002    Fax: (418) 383-5334  
 Ph: (250) 765-1161    Fax: (250) 765-0035  
 Ph: (603) 444-2103    Fax: (603) 444-0327



# Power Attachment

## RPA3045D32 with rotator RT-1004



<b>Opening</b>	74 3/8 in. (1889 mm)
<b>Closing</b>	9 1/2 in. (241 mm)
<b>Volume</b>	1.00 cubic yards    .77 cubic meters
<b>Area tip to tip</b>	5.1 sq. ft. (.48 sq. meter)
<b>Rotator lifting capacity</b>	100000 lb (45360 kg)
<b>Torque at relief pressure</b>	22360 in.lb (2527 Nm)    @ 1450 psi (100 bars)
<b>Steel* thickness</b>	3/8" (10 mm)
<b>Weight</b>	2415 lb (1095 kg)

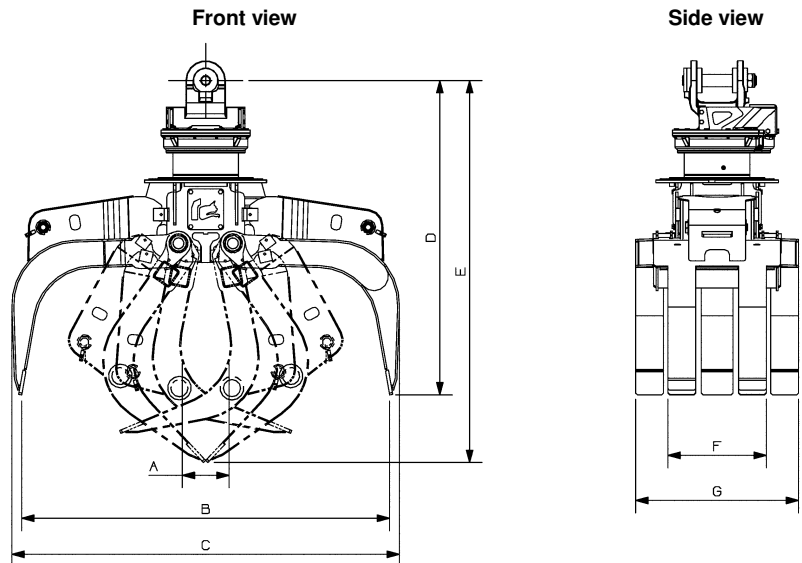
\*High tensile strength steel: 165,000 psi (1138 MPa)

<b>Rotator</b>	<b>Maximum pressure:</b> 5000 psi (345 bars)	<b>Recommended flow:</b> 8 gpm (30 l/min.)
Rotator recommended flow will produce a speed of 20 rpm.		

Cylinder	Diameter	Recommended pressure	Pressure range	Flow range	Lock valves
Standard	3 1/2" (89 mm)	4000 psi (276 bars)	3000 - 5000 psi (207 - 345 bars)	14 - 20 gpm (53 - 76 l/min.)	no

Grapple cylinder maximum flow will theoretically produce a complete grapple open/close cycle in 4 seconds.

Reference	Dimension
A	9 1/2 in. (241 mm)
B	74 3/8 in. (1889 mm)
C	78 3/8 in. (1991 mm)
D	63 1/2 in. (1613 mm)
E	71 1/4 in. (1810 mm)
F	19 5/8 in. (498 mm)
G	32 7/8 in. (835 mm)



web site: [www.rotobec.com](http://www.rotobec.com)

e-mail: [rotobec@rotobec.com](mailto:rotobec@rotobec.com)

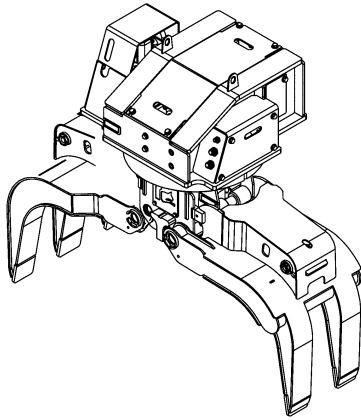
Rotobec Inc.: Head office serving OEM's and Eastern Canada  
 Rotobec West: Branch serving Western Canada and Western USA  
 Rotobec USA: Branch serving Eastern and Central USA

Ph: (418) 383-3002    Fax: (418) 383-5334  
 Ph: (250) 765-1161    Fax: (250) 765-0035  
 Ph: (603) 444-2103    Fax: (603) 444-0327



# Power Attachment

## RPA3045D32 with rotator RGP-902



<b>Opening</b>	74 3/8 in. (1889 mm)
<b>Closing</b>	9 1/2 in. (241 mm)
<b>Volume</b>	1.00 cubic yards    .77 cubic meters
<b>Area tip to tip</b>	5.1 sq. ft. (.48 sq. meter)
<b>Rotator lifting capacity</b>	90000 lb (40823 kg)
<b>Torque at relief pressure</b>	148710 in. lb (16803 Nm) @ 2200 psi (152 bars)
<b>Steel* thickness</b>	3/8" (10 mm)
<b>Weight</b>	2860 lb (1297 kg)

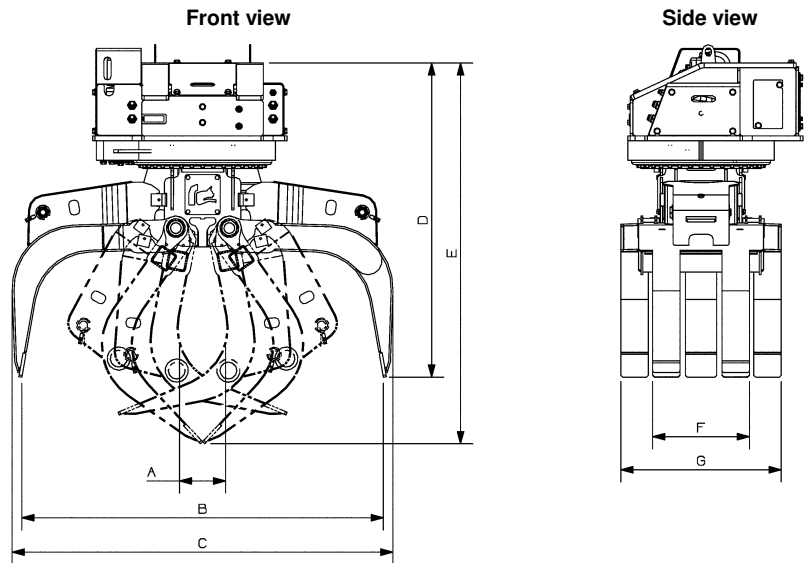
\*High tensile strength steel: 165,000 psi (1138 MPa)

<b>Rotator</b>	<b>Maximum pressure:</b> 5000 psi (345 bars)	<b>Recommended flow:</b> 28 gpm (106 l/min.)
Rotator recommended flow will produce a speed of 15 rpm.		

Cylinder	Diameter	Recommended pressure	Pressure range	Flow range	Lock valves
Standard	3 1/2" (89 mm)	4000 psi (276 bars)	3000 - 5000 psi (207 - 345 bars)	14 - 20 gpm (53 - 76 l/min.)	no

Grapple cylinder maximum flow will theoretically produce a complete grapple open/close cycle in 4 seconds.

Reference	Dimension
A	9 1/2 in. (241 mm)
B	74 3/8 in. (1889 mm)
C	78 3/8 in. (1991 mm)
D	65 5/8 in. (1667 mm)
E	73 3/8 in. (1864 mm)
F	19 5/8 in. (498 mm)
G	32 7/8 in. (835 mm)



OPTIONS: Custom lugging on rotator. Float on swing motor. Positioning cylinder kit, including bracket. 2 function valve-in-head kit. Installation kit.

web site: [www.rotobec.com](http://www.rotobec.com)

e-mail: [rotobec@rotobec.com](mailto:rotobec@rotobec.com)

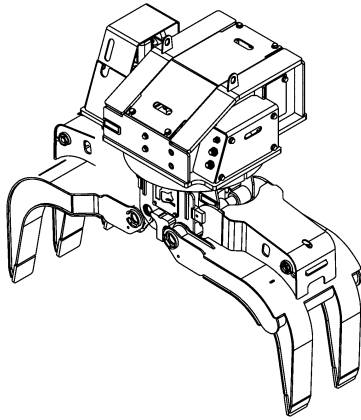
Rotobec Inc.: Head office serving OEM's and Eastern Canada  
 Rotobec West: Branch serving Western Canada and Western USA  
 Rotobec USA: Branch serving Eastern and Central USA

Ph: (418) 383-3002    Fax: (418) 383-5334  
 Ph: (250) 765-1161    Fax: (250) 765-0035  
 Ph: (603) 444-2103    Fax: (603) 444-0327



# Power Attachment

## RPA3045D32 with rotator RGP-1302A



<b>Opening</b>	74 3/8 in. (1889 mm)
<b>Closing</b>	9 1/2 in. (241 mm)
<b>Volume</b>	1.00 cubic yards    .77 cubic meters
<b>Area tip to tip</b>	5.1 sq. ft. (.48 sq. meter)
<b>Rotator lifting capacity</b>	130000 lb (58968 kg)
<b>Torque at relief pressure</b>	176750 in. lb (19972 Nm) @ 2200 psi (152 bars)
<b>Steel* thickness</b>	3/8" (10 mm)
<b>Weight</b>	3255 lb (1476 kg)

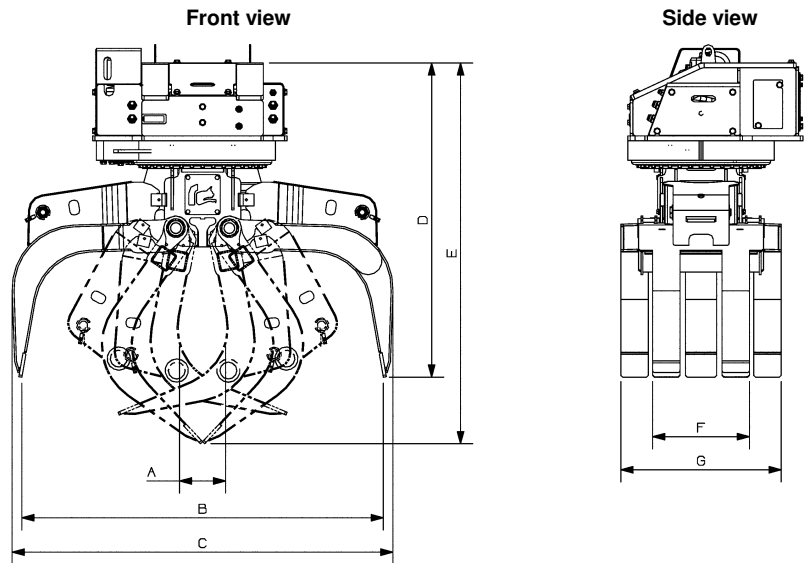
\*High tensile strength steel: 165,000 psi (1138 MPa)

<b>Rotator</b>	<b>Maximum pressure:</b> 5000 psi (345 bars)	<b>Recommended flow:</b> 33 gpm (125 l/min.)
Rotator recommended flow will produce a speed of 15 rpm.		

Cylinder	Diameter	Recommended pressure	Pressure range	Flow range	Lock valves
Standard	3 1/2" (89 mm)	4000 psi (276 bars)	3000 - 5000 psi (207 - 345 bars)	14 - 20 gpm (53 - 76 l/min.)	no

Grapple cylinder maximum flow will theoretically produce a complete grapple open/close cycle in 4 seconds.

Reference	Dimension
A	9 1/2 in. (241 mm)
B	74 3/8 in. (1889 mm)
C	78 3/8 in. (1991 mm)
D	64 5/8 in. (1641 mm)
E	72 3/8 in. (1838 mm)
F	19 5/8 in. (498 mm)
G	32 7/8 in. (835 mm)



OPTIONS: Custom lugging on rotator. Float on swing motor. Positioning cylinder kit, including bracket. 2 function valve-in-head kit. Installation kit.  
 NOTE: Spacer included with rotator, not illustrated.

web site: [www.rotobec.com](http://www.rotobec.com)

e-mail: [rotobec@rotobec.com](mailto:rotobec@rotobec.com)

Rotobec Inc.: Head office serving OEM's and Eastern Canada  
 Rotobec West: Branch serving Western Canada and Western USA  
 Rotobec USA: Branch serving Eastern and Central USA

Ph: (418) 383-3002    Fax: (418) 383-5334  
 Ph: (250) 765-1161    Fax: (250) 765-0035  
 Ph: (603) 444-2103    Fax: (603) 444-0327