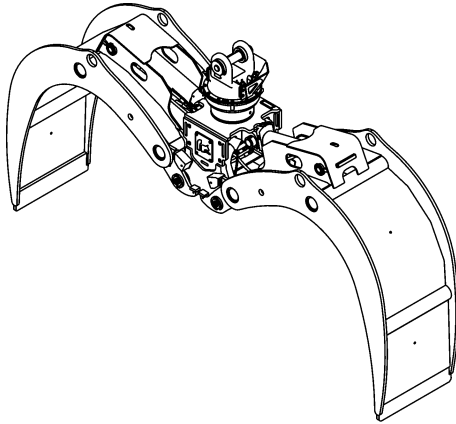




ROTOBEC™

Pulpwood grapple

305P with rotator RT-1004-HT



| | |
|----------------------------------|---|
| Opening | 157 3/4 in. (4007 mm) |
| Closing | 84 3/4 in. (2153 mm) |
| Volume | 2.04 cord of 8 ft. wood |
| Area tip to tip | 32.8 sq. ft. (3.04 sq. meter) |
| Rotator lifting capacity | 100000 lb (45360 kg) |
| Torque at relief pressure | 27910 in.lb (3154 Nm) @ 1810 psi (125 bars) |
| Steel* thickness | 1" (25 mm) |
| Weight | 5855 lb (2656 kg) |

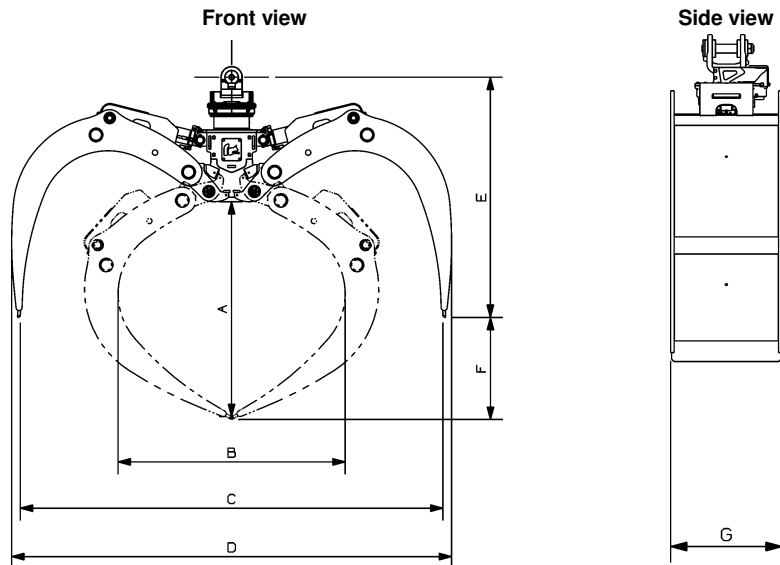
*High tensile strength steel: 165,000 psi (1138 MPa)

| | | |
|--|--|--|
| Rotator | Maximum pressure: 5000 psi (345 bars) | Recommended flow: 8 gpm (30 l/min.) |
| Rotator recommended flow will produce a speed of 20 rpm. | | |

| Cylinder | Diameter | Recommended pressure | Pressure range | Flow range | Lock valves |
|----------|-----------------|----------------------|----------------------------------|--------------------------------|-------------|
| Standard | 4 1/2" (114 mm) | 4250 psi (293 bars) | 3500 - 5000 psi (241 - 345 bars) | 34 - 46 gpm (129 - 174 l/min.) | yes |
| | | | | | |
| | | | | | |
| | | | | | |

Grapple cylinder maximum flow will theoretically produce a complete grapple open/close cycle in 6 seconds.

| Reference | Dimension |
|-----------|-----------------------|
| A | 82 in. (2083 mm) |
| B | 84 3/4 in. (2153 mm) |
| C | 157 3/4 in. (4007 mm) |
| D | 164 1/4 in. (4172 mm) |
| E | 89 3/4 in. (2280 mm) |
| F | 38 in. (965 mm) |
| G | 32 in. (813 mm) |
| H | |



OPTIONS: Leveling plate: on one side only: 215 lb; on both sides 430 lb. Chain 245 lb. Standard with impact protection relief valve, hydraulic synchronization system, and replacable weld-on cutting edges.

web site: www.rotobec.com

e-mail: rotobec@rotobec.com

Rotobec Inc.: Head office serving OEM's and Eastern Canada
 Rotobec West: Branch serving Western Canada and Western USA
 Rotobec USA: Branch serving Eastern and Central USA

Ph: (418) 383-3002 Fax: (418) 383-5334
 Ph: (250) 765-1161 Fax: (250) 765-0035
 Ph: (603) 444-2103 Fax: (603) 444-0327