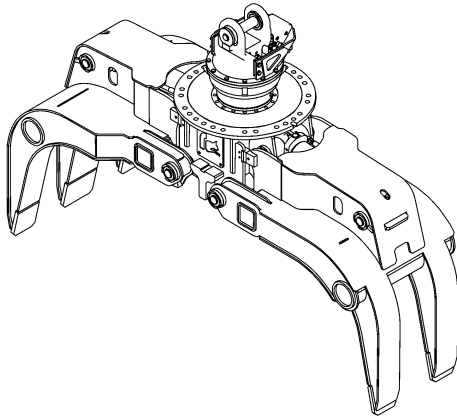




Power Attachment

RPA4570D32 with rotator RT-504



Opening	95 in. (2413 mm)
Closing	12 3/8 in. (314 mm)
Volume	1.75 cubic yards 1.34 cubic meters
Area tip to tip	7.6 sq. ft. (.71 sq. meter)
Rotator lifting capacity	50000 lb (22680 kg)
Torque at relief pressure	18630 in.lb (2105 Nm) @ 1450 psi (100 bars)
Steel* thickness	3/8" (10 mm)
Weight	3065 lb (1390 kg)

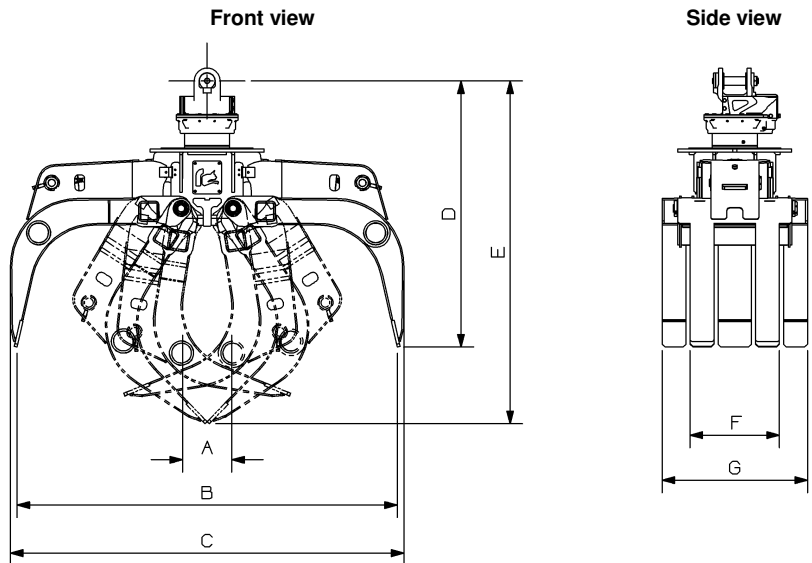
*High tensile strength steel: 165,000 psi (1138 MPa)

Rotator	Maximum pressure: 5000 psi (345 bars)	Recommended flow: 9 gpm (34 l/min.)
Rotator recommended flow will produce a speed of 25 rpm.		

Cylinder	Diameter	Recommended pressure	Pressure range	Flow range	Lock valves
Standard	4" (102 mm)	4000 psi (276 bars)	3000 - 5000 psi (207 - 345 bars)	25 - 37 gpm (95 - 140 l/min.)	no

Grapple cylinder maximum flow will theoretically produce a complete grapple open/close cycle in 4 seconds.

Reference	Dimension
A	12 3/8 in. (314 mm)
B	95 in. (2413 mm)
C	98 3/8 in. (2499 mm)
D	66 1/2 in. (1689 mm)
E	85 5/8 in. (2175 mm)
F	22 3/8 in. (568 mm)
G	36 3/8 in. (924 mm)



web site: www.rotobec.com

e-mail: rotobec@rotobec.com

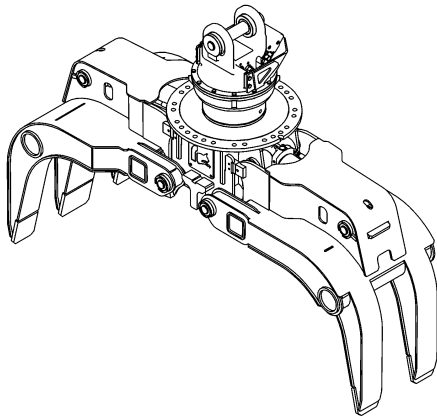
Rotobec Inc.: Head office serving OEM's and Eastern Canada
 Rotobec West: Branch serving Western Canada and Western USA
 Rotobec USA: Branch serving Eastern and Central USA

Ph: (418) 383-3002 Fax: (418) 383-5334
 Ph: (250) 765-1161 Fax: (250) 765-0035
 Ph: (603) 444-2103 Fax: (603) 444-0327



Power Attachment

RPA4570D32 with rotator RT-1004



Opening	95 in. (2413 mm)
Closing	12 3/8 in. (314 mm)
Volume	1.75 cubic yards 1.34 cubic meters
Area tip to tip	7.6 sq. ft. (.71 sq. meter)
Rotator lifting capacity	100000 lb (45360 kg)
Torque at relief pressure	22360 in.lb (2527 Nm) @ 1450 psi (100 bars)
Steel* thickness	3/8" (10 mm)
Weight	3260 lb (1479 kg)

*High tensile strength steel: 165,000 psi (1138 MPa)

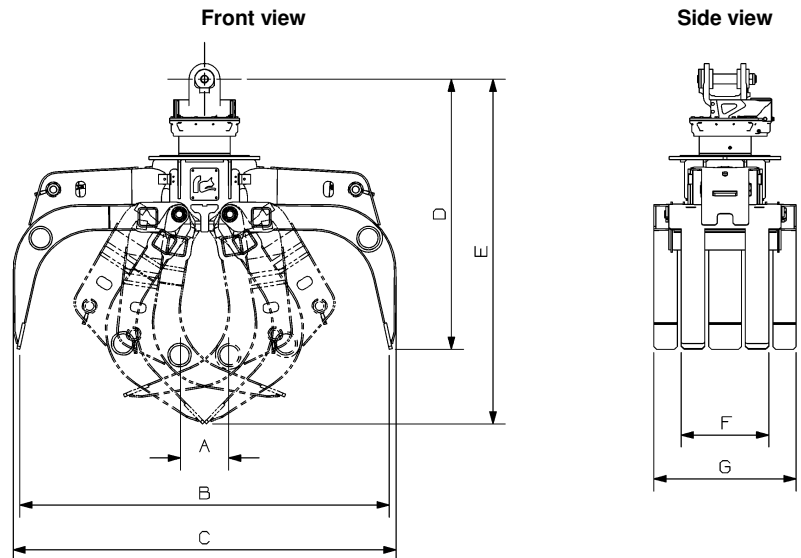
Rotator	Maximum pressure: 5000 psi (345 bars)	Recommended flow: 8 gpm (30 l/min.)
----------------	--	--

Rotator recommended flow will produce a speed of 20 rpm.

Cylinder	Diameter	Recommended pressure	Pressure range	Flow range	Lock valves
Standard	4" (102 mm)	4000 psi (276 bars)	3000 - 5000 psi (207 - 345 bars)	25 - 37 gpm (95 - 140 l/min.)	no

Grapple cylinder maximum flow will theoretically produce a complete grapple open/close cycle in 4 seconds.

Reference	Dimension
A	12 3/8 in. (314 mm)
B	95 in. (2413 mm)
C	98 3/8 in. (2499 mm)
D	69 3/8 in. (1762 mm)
E	88 1/2 in. (2248 mm)
F	22 3/8 in. (568 mm)
G	36 3/8 in. (924 mm)



web site: www.rotobec.com

e-mail: rotobec@rotobec.com

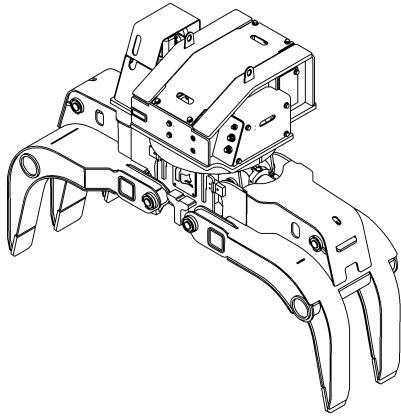
Rotobec Inc.: Head office serving OEM's and Eastern Canada
 Rotobec West: Branch serving Western Canada and Western USA
 Rotobec USA: Branch serving Eastern and Central USA

Ph: (418) 383-3002 Fax: (418) 383-5334
 Ph: (250) 765-1161 Fax: (250) 765-0035
 Ph: (603) 444-2103 Fax: (603) 444-0327



Power Attachment

RPA4570D32 with rotator RGP-1302



Opening	95 in. (2413 mm)
Closing	12 3/8 in. (314 mm)
Volume	1.75 cubic yards 1.34 cubic meters
Area tip to tip	7.6 sq. ft. (.71 sq. meter)
Rotator lifting capacity	130000 lb (58968 kg)
Torque at relief pressure	176750 in. lb (19972 Nm) @ 2200 psi (152 bars)
Steel* thickness	3/8" (10 mm)
Weight	4100 lb (1860 kg)

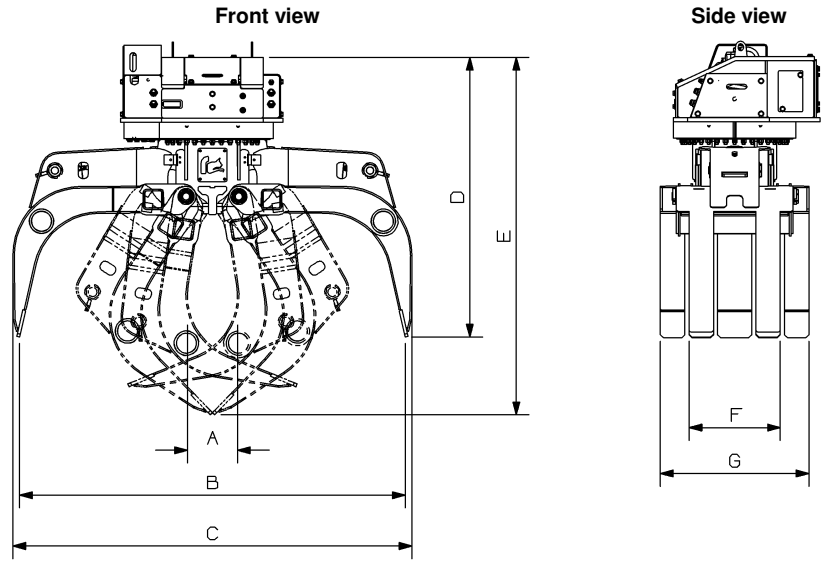
*High tensile strength steel: 165,000 psi (1138 MPa)

Rotator	Maximum pressure: 5000 psi (345 bars)	Recommended flow: 33 gpm (125 l/min.)
Rotator recommended flow will produce a speed of 15 rpm.		

Cylinder	Diameter	Recommended pressure	Pressure range	Flow range	Lock valves
Standard	4" (102 mm)	4000 psi (276 bars)	3000 - 5000 psi (207 - 345 bars)	25 - 37 gpm (95 - 140 l/min.)	no

Grapple cylinder maximum flow will theoretically produce a complete grapple open/close cycle in 4 seconds.

Reference	Dimension
A	12 3/8 in. (314 mm)
B	95 in. (2413 mm)
C	98 3/8 in. (2499 mm)
D	68 7/8 in. (1749 mm)
E	88 in. (2235 mm)
F	22 3/8 in. (568 mm)
G	36 3/8 in. (924 mm)



OPTIONS: Custom logging on rotator. Float on swing motor. Positioning cylinder kit, including bracket. 2 function valve-in-head kit. Installation kit.

web site: www.rotobec.com

e-mail: rotobec@rotobec.com

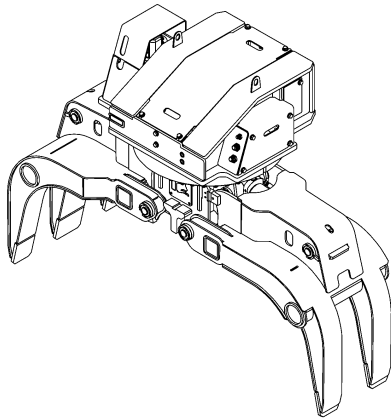
Rotobec Inc.: Head office serving OEM's and Eastern Canada
 Rotobec West: Branch serving Western Canada and Western USA
 Rotobec USA: Branch serving Eastern and Central USA

Ph: (418) 383-3002 Fax: (418) 383-5334
 Ph: (250) 765-1161 Fax: (250) 765-0035
 Ph: (603) 444-2103 Fax: (603) 444-0327



Power Attachment

RPA4570D32 with rotator RGP-1702A



Opening	95 in. (2413 mm)
Closing	12 3/8 in. (314 mm)
Volume	1.75 cubic yards 1.34 cubic meters
Area tip to tip	7.6 sq. ft. (.71 sq. meter)
Rotator lifting capacity	170000 lb (77111 kg)
Torque at relief pressure	218520 in. lb (24692 Nm) @ 2200 psi (152 bars)
Steel* thickness	3/8" (10 mm)
Weight	4900 lb (2223 kg)

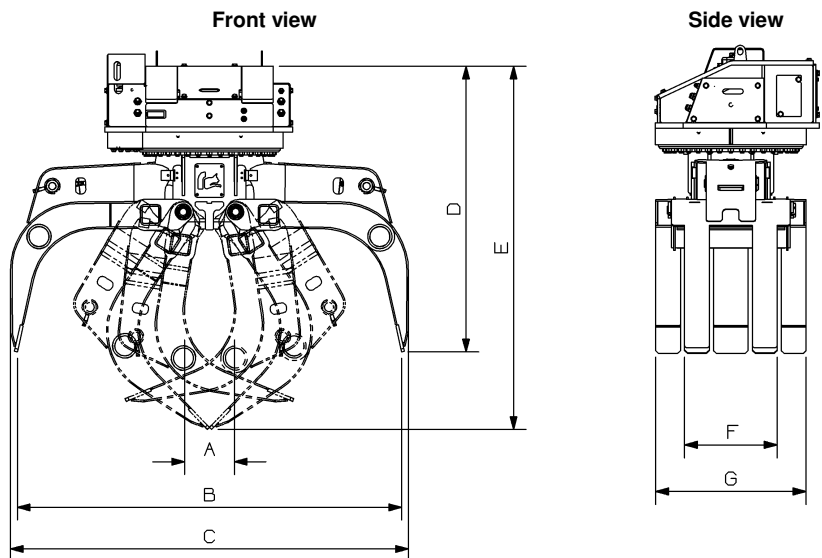
*High tensile strength steel: 165,000 psi (1138 MPa)

Rotator	Maximum pressure: 5000 psi (345 bars)	Recommended flow: 32 gpm (121 l/min.)
Rotator recommended flow will produce a speed of 12 rpm.		

Cylinder	Diameter	Recommended pressure	Pressure range	Flow range	Lock valves
Standard	4" (102 mm)	4000 psi (276 bars)	3000 - 5000 psi (207 - 345 bars)	25 - 37 gpm (95 - 140 l/min.)	no

Grapple cylinder maximum flow will theoretically produce a complete grapple open/close cycle in 4 seconds.

Reference	Dimension
A	12 3/8 in. (314 mm)
B	95 in. (2413 mm)
C	98 3/8 in. (2499 mm)
D	70 5/8 in. (1794 mm)
E	89 3/4 in. (2280 mm)
F	22 3/8 in. (568 mm)
G	36 3/8 in. (924 mm)



OPTIONS: Custom lugging on rotator. Float on swing motor. Positioning cylinder kit, including bracket. 2 function valve-in-head kit. Installation kit.
NOTE: Spacer included with rotator, not illustrated.

web site: www.rotobec.com

e-mail: rotobec@rotobec.com

Rotobec Inc.: Head office serving OEM's and Eastern Canada
Rotobec West: Branch serving Western Canada and Western USA
Rotobec USA: Branch serving Eastern and Central USA

Ph: (418) 383-3002 Fax: (418) 383-5334
Ph: (250) 765-1161 Fax: (250) 765-0035
Ph: (603) 444-2103 Fax: (603) 444-0327