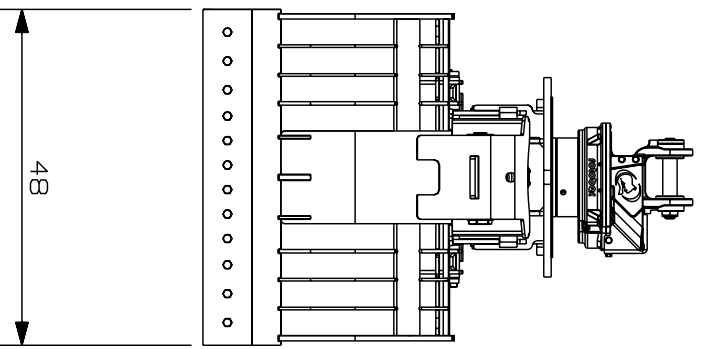
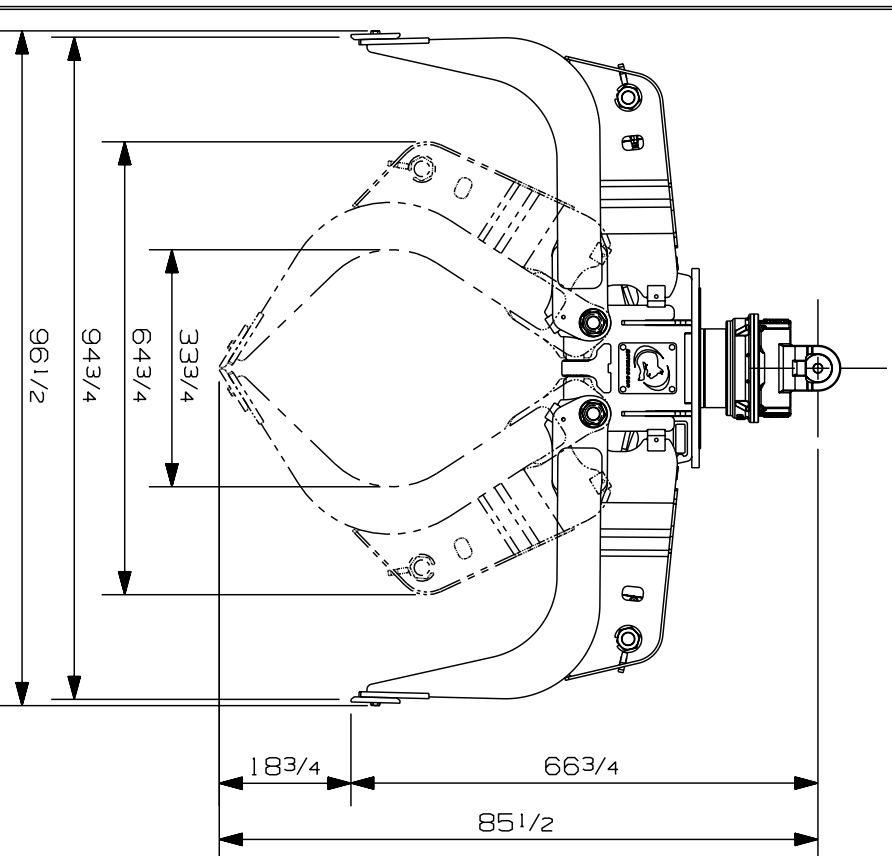
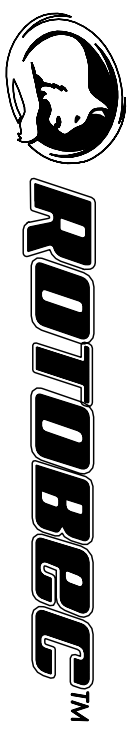


POWER ATTACHEMENT  
 RPA4570T - A/RT - 502 - STD - 2  
 TRASH VERSION



SPECIFICATION TECHNIQUE  
 TECHNICAL DATA

CAPACITE:	1.00 V <sup>3</sup> /Y <sup>3</sup>
CAPACITY:	
SURFACE UTILE PTE A PTE:	975 po <sup>2</sup> /in <sup>2</sup>
USEFUL AREA TIP TO TIP:	
POIDS:	3610 lb
WEIGHT:	
DIA. DU CYLINDRE:	4 po/in
CYLINDER DIAMETER:	
PRESSION MAXIMUM:	5000 PSI
MAXIMUM PRESSURE:	
DEBIT MAXIMUM:	37 GPM
MAXIMUM FLOW:	



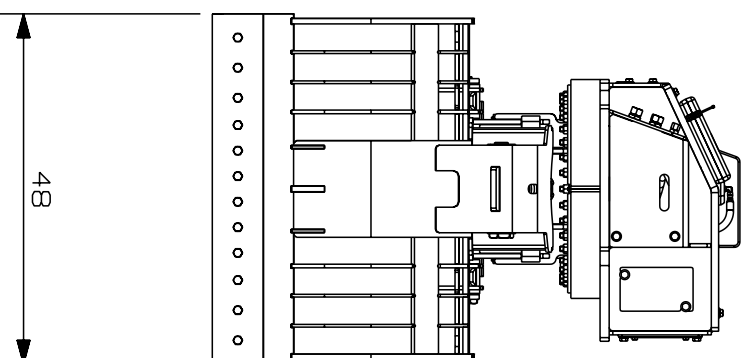
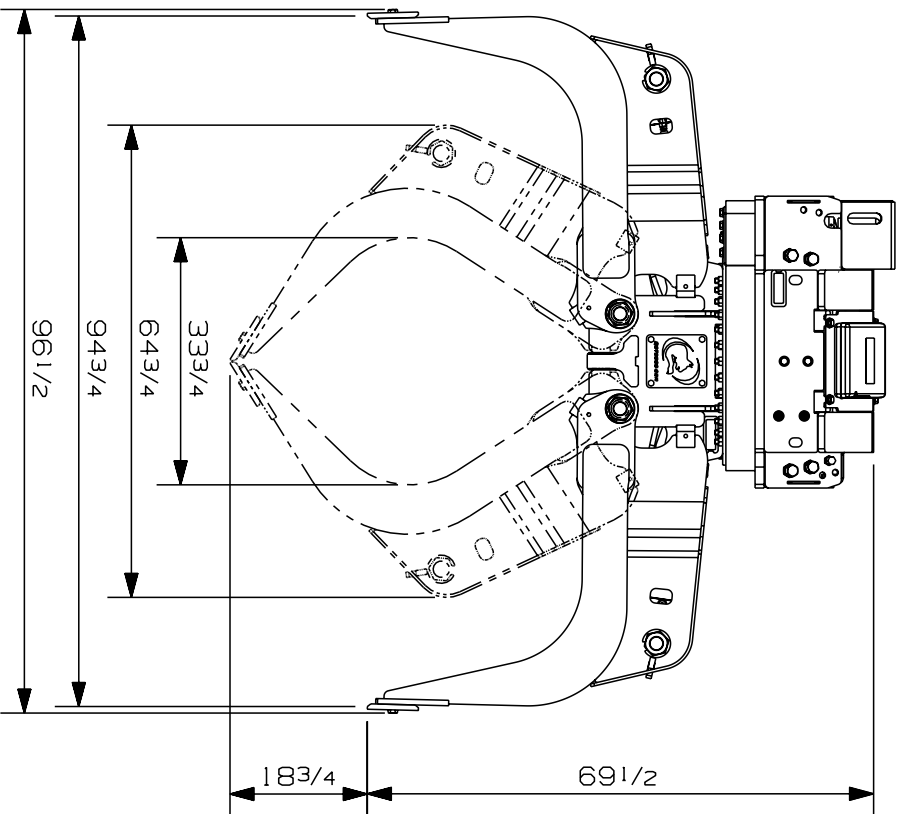
Nous nous reservons le droit de modifier nos specifications et d'ameliorer nos produits sans autre avis ou obligation.  
 We reserve the right to change specifications and improve our products without notice or obligation.

07001 - 9573/00 - ALT - REP  
 20/04/10  
 PUB\_RPA4570T - A\_RT - 502 - STD - 2 (DWG)

# POWER ATTACHEMENT RPA4570T - A/RGP - 1302 TRASH VERSION

## SPECIFICATION TECHNIQUE TECHNICAL DATA

CAPACITE:	1.00 V <sup>3</sup> /Y <sup>3</sup>
CAPACITY:	
SURFACE UTILE PTE A PTE:	975 po <sup>2</sup> /in <sup>2</sup>
USEFUL AREA TIP TO TIP:	
POIDS:	4750 lb
WEIGHT:	
DIA. DU CYLINDRE:	4 po/in
CYLINDER DIAMETER:	
PRESSION MAXIMUM:	5000 PSI
MAXIMUM PRESSURE:	
DEBIT MAXIMUM:	37 GPM
MAXIMUM FLOW:	



# ROTOBAC™

Nous nous reservons le droit de modifier nos specifications et d'ameliorer nos produits sans autre avis ou obligation.  
We reserve the right to change specifications and improve our products without notice or obligation.

07001-8570/00  
02/02/10  
PUB (DMG)