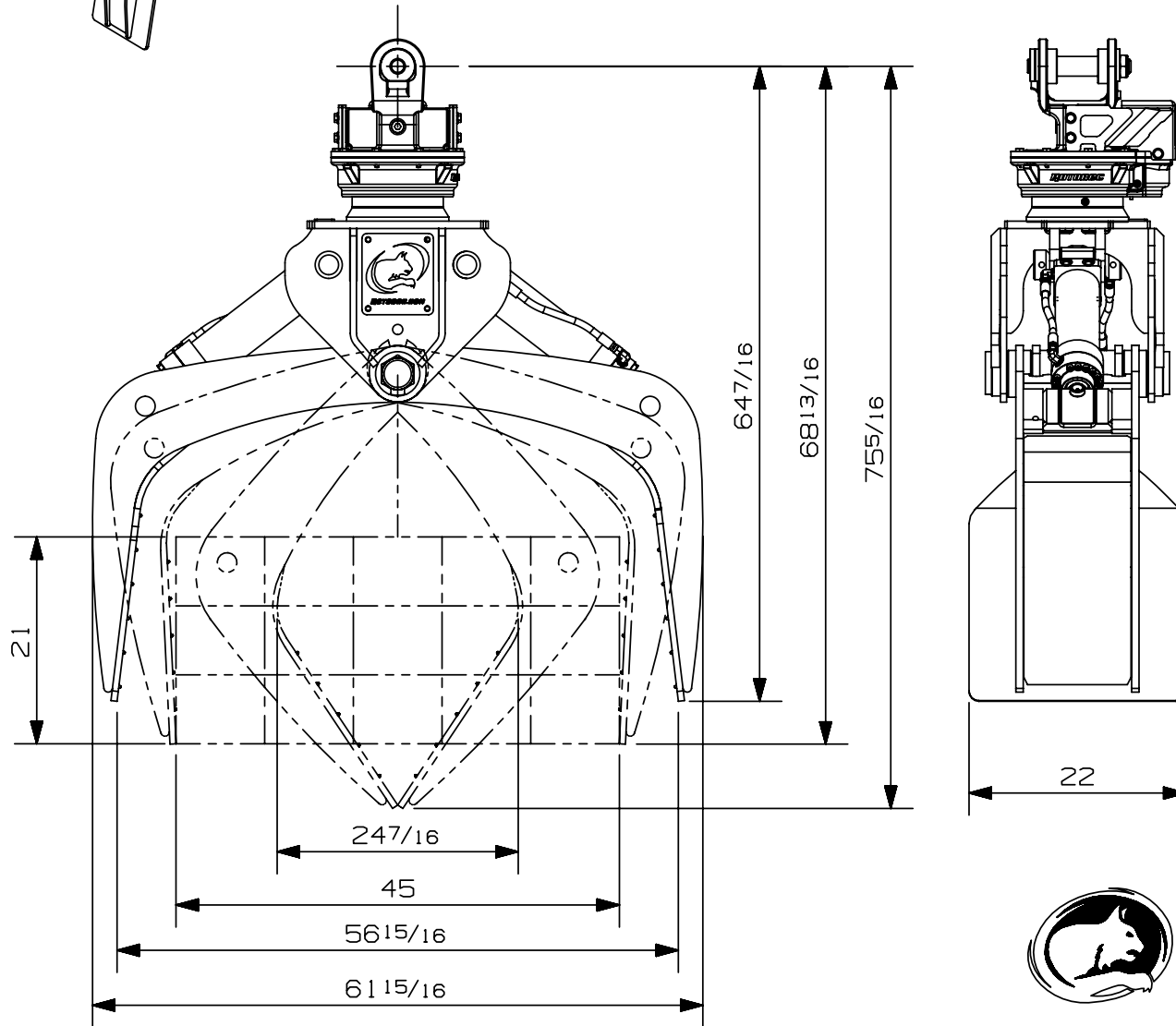


# PINCE A TRAVERS 57TBG-A RT-322-1 TIE GRAPPLE

## SPECIFICATION TECHNIQUE TECHNICAL DATA

|                          |                                       |
|--------------------------|---------------------------------------|
| SURFACE UTILE PTE A PTE: | 3.94 pi <sup>2</sup> /ft <sup>2</sup> |
| USEFUL AREA TIP TO TIP:  |                                       |
| POIDS:                   | 1340 lb                               |
| WEIGHT:                  |                                       |
| DIA.DU CYLINDRE:         | 3.5 po/in                             |
| CYLINDER DIAMETER:       |                                       |
| PRESSION MAXIMUM:        | 5000 PSI                              |
| MAXIMUM PRESSURE:        |                                       |
| DEBIT MAXIMUM:           | 23 GPM                                |
| MAXIMUM FLOW:            |                                       |



**ROTOBEC™**

Nous nous reservons le droit de modifier nos specifications et d'ameliorer nos produits sans autre avis ou obligation.

We reserve the right to change specifications and improve our products without notice or obligation.

07003-4963/00  
11/06/13  
DESSIN (DWG)