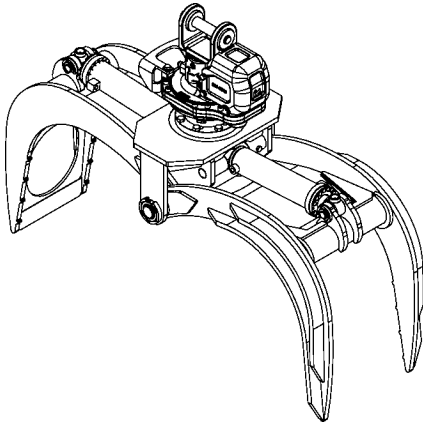




ROTOBEC™

Rail Grapple

6007RA with rotator RT-222



| | |
|----------------------------------|---|
| Opening | 61 3/4 in. (1568 mm) |
| Closing | 6 3/4 in. (171 mm) |
| Volume | .278 cord of 8 ft. wood |
| Area tip to tip | 4.5 sq. ft. (.41 sq. meter) |
| Rotator lifting capacity | 22000 lb (9980 kg) |
| Torque at relief pressure | 10700 in.lb (1209 Nm) @ 913 psi (63 bars) |
| Steel* thickness | |
| Weight | 940 lb (426 kg) |

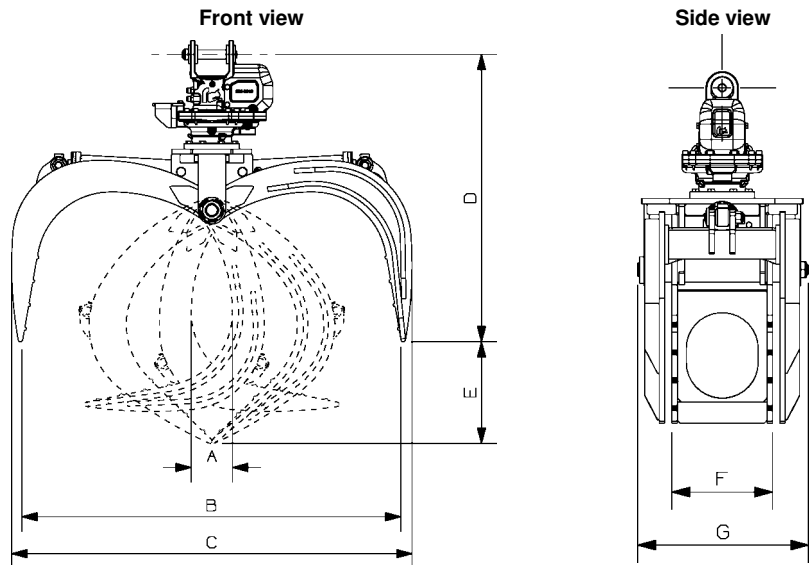
*High tensile strength steel: 165,000 psi (1138 MPa)

| | | |
|--|--|---|
| Rotator | Maximum pressure: 5000 psi (345 bars) | Recommended flow: 10 gpm (38 l/min.) |
| Rotator recommended flow will produce a speed of 30 rpm. | | |

| Cylinder | Diameter | Recommended pressure | Pressure range | Flow range | Lock valves |
|----------|----------------|----------------------|----------------------------------|------------------------------|-------------|
| Standard | 3 1/2" (89 mm) | 2350 psi (162 bars) | 2000 - 2700 psi (138 - 186 bars) | 16 - 24 gpm (61 - 91 l/min.) | no |
| Standard | 3" (76 mm) | 3250 psi (224 bars) | 2800 - 3700 psi (193 - 255 bars) | 11 - 16 gpm (42 - 61 l/min.) | no |
| | | | | | |
| | | | | | |

Grapple cylinder maximum flow will theoretically produce a complete grapple open/close cycle in 4 seconds.

| Reference | Dimension |
|-----------|----------------------|
| A | 6 3/4 in. (171 mm) |
| B | 61 3/4 in. (1568 mm) |
| C | 65 1/4 in. (1657 mm) |
| D | 46 7/8 in. (1191 mm) |
| E | 16 1/2 in. (419 mm) |
| F | 14 in. (356 mm) |
| G | 23 1/2 in. (597 mm) |
| H | |



web site: www.rotobec.com

e-mail: rotobec@rotobec.com

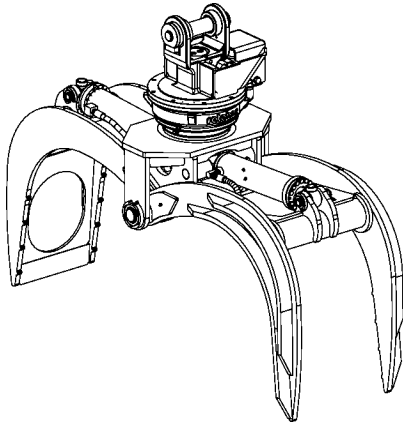
Rotobec Inc.: Head office serving OEM's and Eastern Canada
 Rotobec West: Branch serving Western Canada and Western USA
 Rotobec USA: Branch serving Eastern and Central USA

Ph: (418) 383-3002 Fax: (418) 383-5334
 Ph: (250) 765-1161 Fax: (250) 765-0035
 Ph: (603) 444-2103 Fax: (603) 444-0327



Rail Grapple

6007RA with rotator RT-252



| | |
|----------------------------------|---|
| Opening | 61 3/4 in. (1568 mm) |
| Closing | 6 3/4 in. (171 mm) |
| Volume | .278 cord of 8 ft. wood |
| Area tip to tip | 4.5 sq. ft. (.41 sq. meter) |
| Rotator lifting capacity | 25000 lb (11340 kg) |
| Torque at relief pressure | 16150 in.lb (1825 Nm) @ 1450 psi (100 bars) |
| Steel* thickness | |
| Weight | 975 lb (442 kg) |

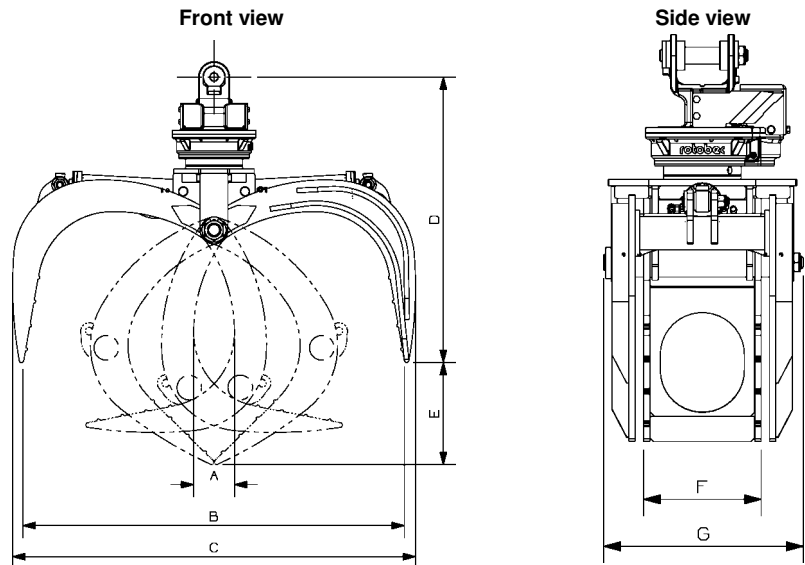
*High tensile strength steel: 165,000 psi (1138 MPa)

| | | |
|--|--|--|
| Rotator | Maximum pressure: 5000 psi (345 bars) | Recommended flow: 9 gpm (34 l/min.) |
| Rotator recommended flow will produce a speed of 30 rpm. | | |

| Cylinder | Diameter | Recommended pressure | Pressure range | Flow range | Lock valves |
|----------|----------------|----------------------|----------------------------------|------------------------------|-------------|
| Standard | 3 1/2" (89 mm) | 2350 psi (162 bars) | 2000 - 2700 psi (138 - 186 bars) | 16 - 24 gpm (61 - 91 l/min.) | no |
| Standard | 3" (76 mm) | 3250 psi (224 bars) | 2800 - 3700 psi (193 - 255 bars) | 11 - 16 gpm (42 - 61 l/min.) | no |
| | | | | | |
| | | | | | |

Grapple cylinder maximum flow will theoretically produce a complete grapple open/close cycle in 4 seconds.

| Reference | Dimension |
|-----------|----------------------|
| A | 6 3/4 in. (171 mm) |
| B | 61 3/4 in. (1568 mm) |
| C | 65 1/4 in. (1657 mm) |
| D | 46 1/4 in. (1175 mm) |
| E | 16 1/2 in. (419 mm) |
| F | 14 in. (356 mm) |
| G | 23 1/2 in. (597 mm) |
| H | |



web site: www.rotobec.com

e-mail: rotobec@rotobec.com

Rotobec Inc.: Head office serving OEM's and Eastern Canada
 Rotobec West: Branch serving Western Canada and Western USA
 Rotobec USA: Branch serving Eastern and Central USA

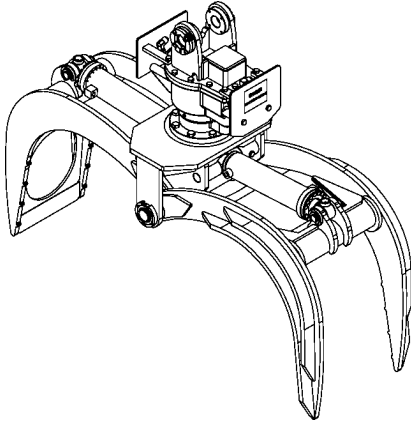
Ph: (418) 383-3002 Fax: (418) 383-5334
 Ph: (250) 765-1161 Fax: (250) 765-0035
 Ph: (603) 444-2103 Fax: (603) 444-0327



ROTOBEC™

Rail Grapple

6007RA with rotator R-9150



| | |
|----------------------------------|---|
| Opening | 61 3/4 in. (1568 mm) |
| Closing | 6 3/4 in. (171 mm) |
| Volume | .278 cord of 8 ft. wood |
| Area tip to tip | 4.5 sq. ft. (.41 sq. meter) |
| Rotator lifting capacity | 18000 lb (8165 kg) |
| Torque at relief pressure | 8450 in.lb (955 Nm) @ 913 psi (63 bars) |
| Steel* thickness | |
| Weight | 930 lb (422 kg) |

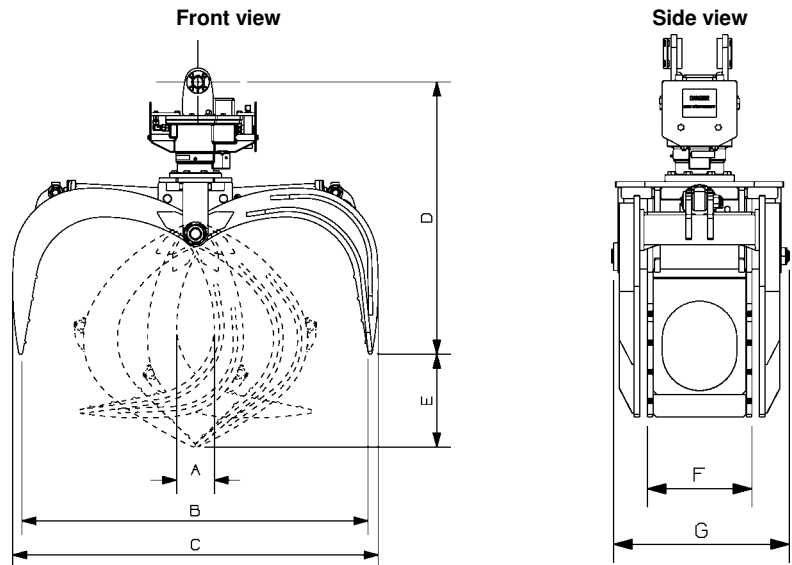
*High tensile strength steel: 165,000 psi (1138 MPa)

| | | |
|--|--|--|
| Rotator | Maximum pressure: 4000 psi (276 bars) | Recommended flow: 8 gpm (30 l/min.) |
| Rotator recommended flow will produce a speed of 30 rpm. | | |

| Cylinder | Diameter | Recommended pressure | Pressure range | Flow range | Lock valves |
|----------|----------------|----------------------|----------------------------------|------------------------------|-------------|
| Standard | 3 1/2" (89 mm) | 2350 psi (162 bars) | 2000 - 2700 psi (138 - 186 bars) | 16 - 24 gpm (61 - 91 l/min.) | no |
| Standard | 3" (76 mm) | 3250 psi (224 bars) | 2800 - 3700 psi (193 - 255 bars) | 11 - 16 gpm (42 - 61 l/min.) | no |
| | | | | | |
| | | | | | |

Grapple cylinder maximum flow will theoretically produce a complete grapple open/close cycle in 4 seconds.

| Reference | Dimension |
|-----------|----------------------|
| A | 6 3/4 in. (171 mm) |
| B | 61 3/4 in. (1568 mm) |
| C | 65 1/4 in. (1657 mm) |
| D | 48 1/2 in. (1232 mm) |
| E | 16 1/2 in. (419 mm) |
| F | 14 in. (356 mm) |
| G | 23 1/2 in. (597 mm) |
| H | |



web site: www.rotobec.com

e-mail: rotobec@rotobec.com

Rotobec Inc.: Head office serving OEM's and Eastern Canada
 Rotobec West: Branch serving Western Canada and Western USA
 Rotobec USA: Branch serving Eastern and Central USA

Ph: (418) 383-3002 Fax: (418) 383-5334
 Ph: (250) 765-1161 Fax: (250) 765-0035
 Ph: (603) 444-2103 Fax: (603) 444-0327