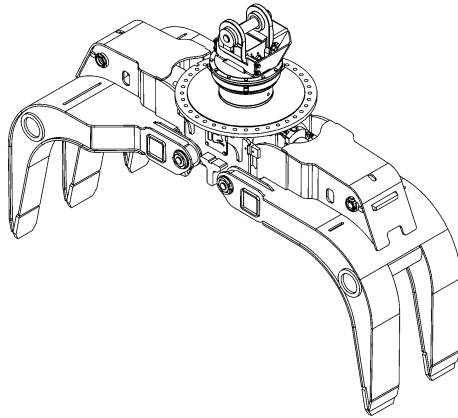




Power Attachment

RPA60100D32 with rotator RT-1004



Opening	114 1/8 in. (2899 mm)
Closing	14 1/2 in. (368 mm)
Volume	3.50 cubic yards 2.68 cubic meters
Area tip to tip	12 sq. ft. (1.12 sq. meter)
Rotator lifting capacity	100000 lb (45360 kg)
Torque at relief pressure	22360 in.lb (2527 Nm) @ 1450 psi (100 bars)
Steel* thickness	1/2" (13 mm)
Weight	5255 lb (2384 kg)

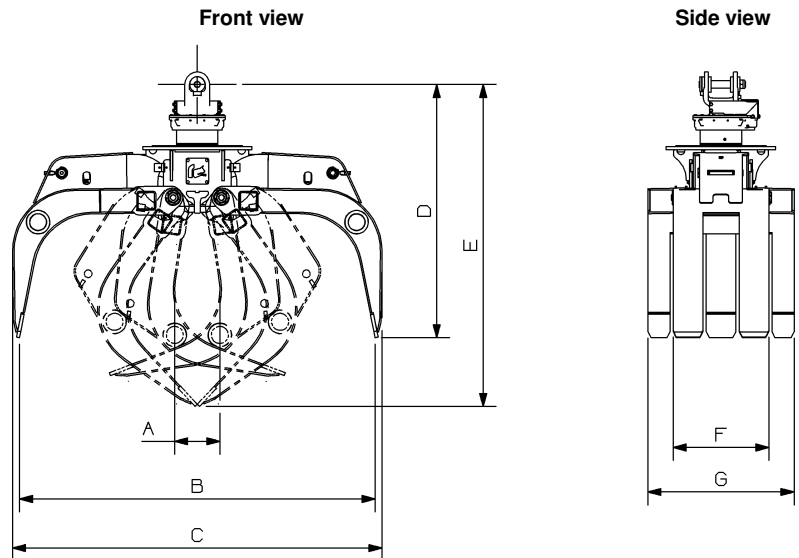
*High tensile strength steel: 165,000 psi (1138 MPa)

Rotator	Maximum pressure: 5000 psi (345 bars)	Recommended flow: 8 gpm (30 l/min.)
Rotator recommended flow will produce a speed of 20 rpm.		

Cylinder	Diameter	Recommended pressure	Pressure range	Flow range	Lock valves
Standard	4 1/2" (114 mm)	4000 psi (276 bars)	3000 - 5000 psi (207 - 345 bars)	29 - 41 gpm (110 - 155 l/min.)	no

Grapple cylinder maximum flow will theoretically produce a complete grapple open/close cycle in 5 seconds.

Reference	Dimension
A	14 1/2 in. (368 mm)
B	114 1/8 in. (2899 mm)
C	118 5/8 in. (3013 mm)
D	81 1/4 in. (2064 mm)
E	103 1/4 in. (2623 mm)
F	30 5/8 in. (778 mm)
G	46 7/8 in. (1191 mm)



web site: www.rotobec.com

e-mail: rotobec@rotobec.com

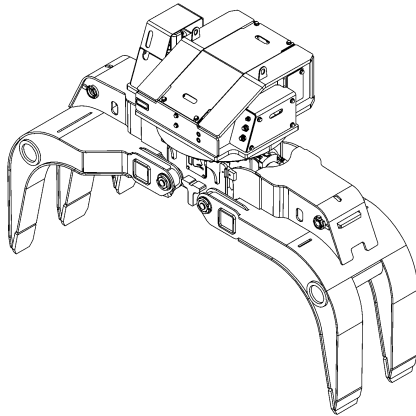
Rotobec Inc.: Head office serving OEM's and Eastern Canada
 Rotobec West: Branch serving Western Canada and Western USA
 Rotobec USA: Branch serving Eastern and Central USA

Ph: (418) 383-3002 Fax: (418) 383-5334
 Ph: (250) 765-1161 Fax: (250) 765-0035
 Ph: (603) 444-2103 Fax: (603) 444-0327



Power Attachment

RPA60100D32 with rotator RGP-1702



Opening	114 1/8 in. (2899 mm)
Closing	14 1/2 in. (368 mm)
Volume	3.50 cubic yards 2.68 cubic meters
Area tip to tip	12 sq. ft. (1.12 sq. meter)
Rotator lifting capacity	170000 lb (77111 kg)
Torque at relief pressure	218520 in. lb (24692 Nm) @ 2200 psi (152 bars)
Steel* thickness	1/2" (13 mm)
Weight	6745 lb (3060 kg)

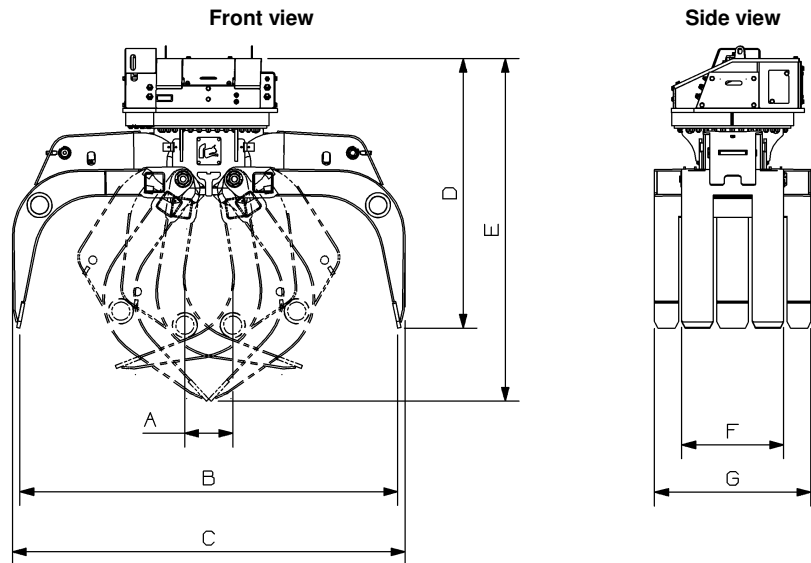
*High tensile strength steel: 165,000 psi (1138 MPa)

Rotator	Maximum pressure: 5000 psi (345 bars)	Recommended flow: 32 gpm (121 l/min.)
Rotator recommended flow will produce a speed of 12 rpm.		

Cylinder	Diameter	Recommended pressure	Pressure range	Flow range	Lock valves
Standard	4 1/2" (114 mm)	4000 psi (276 bars)	3000 - 5000 psi (207 - 345 bars)	29 - 41 gpm (110 - 155 l/min.)	no

Grapple cylinder maximum flow will theoretically produce a complete grapple open/close cycle in 5 seconds.

Reference	Dimension
A	14 1/2 in. (368 mm)
B	114 1/8 in. (2899 mm)
C	118 5/8 in. (3013 mm)
D	81 1/4 in. (2064 mm)
E	103 1/4 in. (2623 mm)
F	30 5/8 in. (778 mm)
G	46 7/8 in. (1191 mm)



OPTIONS: Custom logging on rotator. Float on swing motor. Positioning cylinder kit, including bracket. 2 function valve-in-head kit. Installation kit.

web site: www.rotobec.com

e-mail: rotobec@rotobec.com

Rotobec Inc.: Head office serving OEM's and Eastern Canada
 Rotobec West: Branch serving Western Canada and Western USA
 Rotobec USA: Branch serving Eastern and Central USA

Ph: (418) 383-3002 Fax: (418) 383-5334
 Ph: (250) 765-1161 Fax: (250) 765-0035
 Ph: (603) 444-2103 Fax: (603) 444-0327