

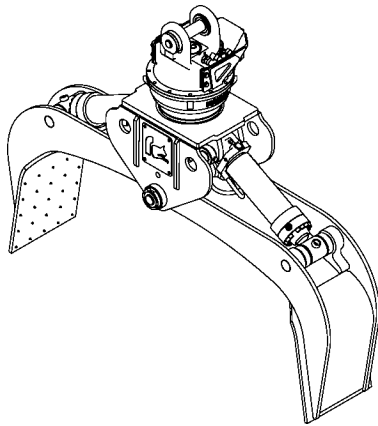


# Rail Grapple

## 73TBG

with rotator

## RT-252



<b>Opening</b>	63 3/8 in. (1610 mm)
<b>Closing</b>	
<b>Volume</b>	cord of 8 ft. wood
<b>Area tip to tip</b>	
<b>Rotator lifting capacity</b>	25000 lb (11340 kg)
<b>Torque at relief pressure</b>	16150 in.lb (1825 Nm) @ 1450 psi (100 bars)
<b>Steel* thickness</b>	3/4" (19 mm)
<b>Weight</b>	1525 lb (692 kg)

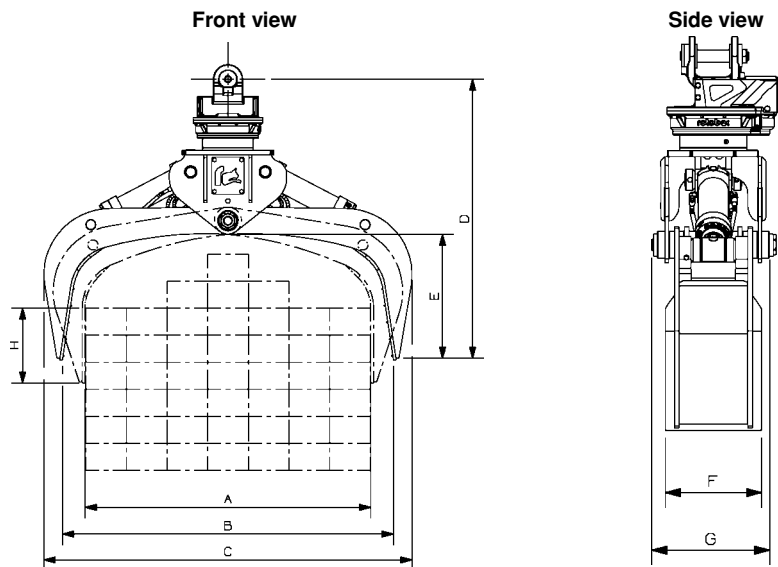
\*High tensile strength steel: 165,000 psi (1138 MPa)

<b>Rotator</b>	<b>Maximum pressure:</b> 5000 psi (345 bars)	<b>Recommended flow:</b> 9 gpm (34 l/min.)
Rotator recommended flow will produce a speed of 30 rpm.		

Cylinder	Diameter	Recommended pressure	Pressure range	Flow range	Lock valves
Standard	4" (102 mm)	3000 psi (207 bars)	2500 - 5000 psi (172 - 345 bars)	22 - 33 gpm (83 - 125 l/min.)	yes

Grapple cylinder maximum flow will theoretically produce a complete grapple open/close cycle in 4 seconds.

Reference	Dimension
A	63 3/8 in. (1610 mm)
B	73 in. (1854 mm)
C	81 1/2 in. (2070 mm)
D	60 in. (1524 mm)
E	27 5/8 in. (702 mm)
F	16 in. (406 mm)
G	19 5/8 in. (498 mm)
H	16 5/8 in. (422 mm)



web site: [www.rotobec.com](http://www.rotobec.com)

e-mail: [rotobec@rotobec.com](mailto:rotobec@rotobec.com)

Rotobec Inc.: Head office serving OEM's and Eastern Canada  
 Rotobec West: Branch serving Western Canada and Western USA  
 Rotobec USA: Branch serving Eastern and Central USA

Ph: (418) 383-3002      Fax: (418) 383-5334  
 Ph: (250) 765-1161      Fax: (250) 765-0035  
 Ph: (603) 444-2103      Fax: (603) 444-0327



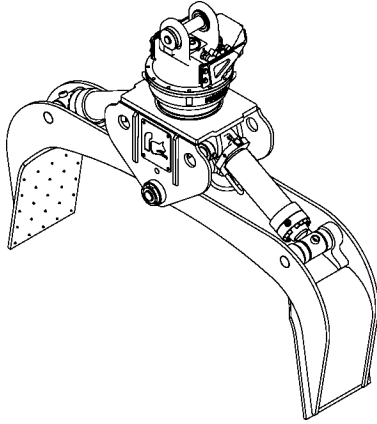
**ROTOBEC™**

# Rail Grapple

**73TBG**

with rotator

**RT-322**



<b>Opening</b>	63 3/8 in. (1610 mm)
<b>Closing</b>	
<b>Volume</b>	cord of 8 ft. wood
<b>Area tip to tip</b>	
<b>Rotator lifting capacity</b>	32000 lb (14515 kg)
<b>Torque at relief pressure</b>	16150 in.lb (1825 Nm) @ 1450 psi (100 bars)
<b>Steel* thickness</b>	3/4" (19 mm)
<b>Weight</b>	1565 lb (710 kg)

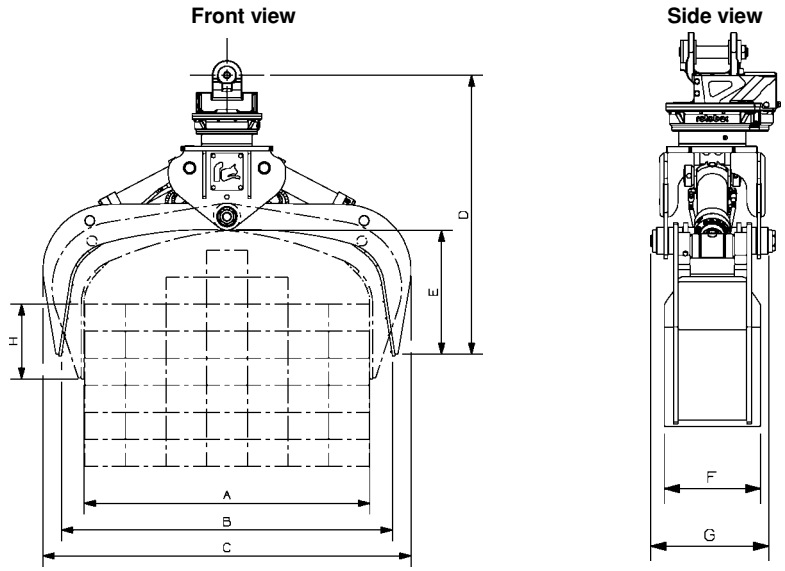
\*High tensile strength steel: 165,000 psi (1138 MPa)

<b>Rotator</b>	<b>Maximum pressure:</b> 5000 psi (345 bars)	<b>Recommended flow:</b> 9 gpm (34 l/min.)
Rotator recommended flow will produce a speed of 30 rpm.		

Cylinder	Diameter	Recommended pressure	Pressure range	Flow range	Lock valves
Standard	4" (102 mm)	3000 psi (207 bars)	2500 - 5000 psi (172 - 345 bars)	22 - 33 gpm (83 - 125 l/min.)	yes

Grapple cylinder maximum flow will theoretically produce a complete grapple open/close cycle in 4 seconds.

Reference	Dimension
A	63 3/8 in. (1610 mm)
B	73 in. (1854 mm)
C	81 1/2 in. (2070 mm)
D	60 7/8 in. (1546 mm)
E	27 5/8 in. (702 mm)
F	16 in. (406 mm)
G	19 5/8 in. (498 mm)
H	16 5/8 in. (422 mm)



web site: [www.rotobec.com](http://www.rotobec.com)

e-mail: [rotobec@rotobec.com](mailto:rotobec@rotobec.com)

Rotobec Inc.: Head office serving OEM's and Eastern Canada  
 Rotobec West: Branch serving Western Canada and Western USA  
 Rotobec USA: Branch serving Eastern and Central USA

Ph: (418) 383-3002 Fax: (418) 383-5334  
 Ph: (250) 765-1161 Fax: (250) 765-0035  
 Ph: (603) 444-2103 Fax: (603) 444-0327

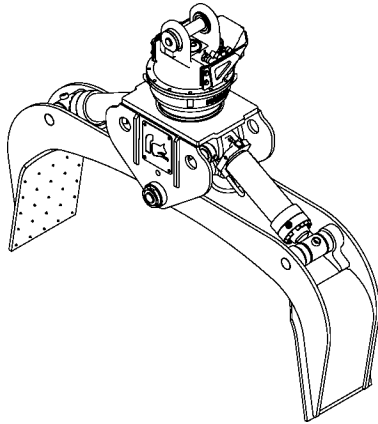


# Rail Grapple

## 73TBG

with rotator

## RT-502-STD



<b>Opening</b>	63 3/8 in. (1610 mm)
<b>Closing</b>	
<b>Volume</b>	cord of 8 ft. wood
<b>Area tip to tip</b>	
<b>Rotator lifting capacity</b>	50000 lb (22680 kg)
<b>Torque at relief pressure</b>	18630 in.lb (2105 Nm) @ 1450 psi (100 bars)
<b>Steel* thickness</b>	3/4" (19 mm)
<b>Weight</b>	1710 lb (776 kg)

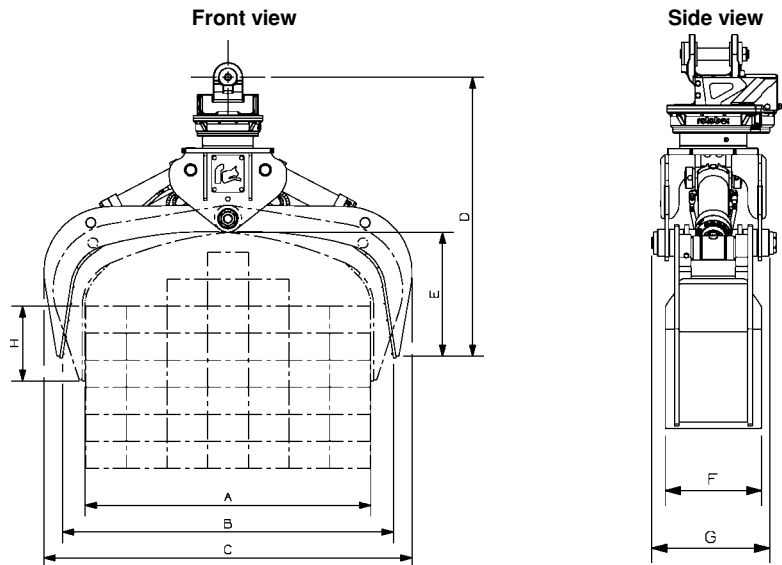
\*High tensile strength steel: 165,000 psi (1138 MPa)

<b>Rotator</b>	<b>Maximum pressure:</b> 5000 psi (345 bars)	<b>Recommended flow:</b> 9 gpm (34 l/min.)
Rotator recommended flow will produce a speed of 25 rpm.		

Cylinder	Diameter	Recommended pressure	Pressure range	Flow range	Lock valves
Standard	4" (102 mm)	3000 psi (207 bars)	2500 - 5000 psi (172 - 345 bars)	22 - 33 gpm (83 - 125 l/min.)	yes

Grapple cylinder maximum flow will theoretically produce a complete grapple open/close cycle in 4 seconds.

Reference	Dimension
A	63 3/8 in. (1610 mm)
B	73 in. (1854 mm)
C	81 1/2 in. (2070 mm)
D	62 in. (1575 mm)
E	27 5/8 in. (702 mm)
F	16 in. (406 mm)
G	19 5/8 in. (498 mm)
H	16 5/8 in. (422 mm)



web site: [www.rotobec.com](http://www.rotobec.com)

e-mail: [rotobec@rotobec.com](mailto:rotobec@rotobec.com)

Rotobec Inc.: Head office serving OEM's and Eastern Canada  
 Rotobec West: Branch serving Western Canada and Western USA  
 Rotobec USA: Branch serving Eastern and Central USA

Ph: (418) 383-3002      Fax: (418) 383-5334  
 Ph: (250) 765-1161      Fax: (250) 765-0035  
 Ph: (603) 444-2103      Fax: (603) 444-0327