



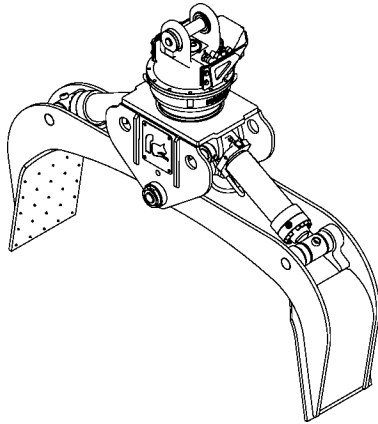
ROTOBEC™

Rail Grapple

83TBG

with rotator

RT-322



Opening	83 in. (2108 mm)
Closing	
Volume	cord of 8 ft. wood
Area tip to tip	
Rotator lifting capacity	32000 lb (14515 kg)
Torque at relief pressure	16150 in.lb (1825 Nm) @ 1450 psi (100 bars)
Steel* thickness	3/4" (19 mm)
Weight	1700 lb (771 kg)

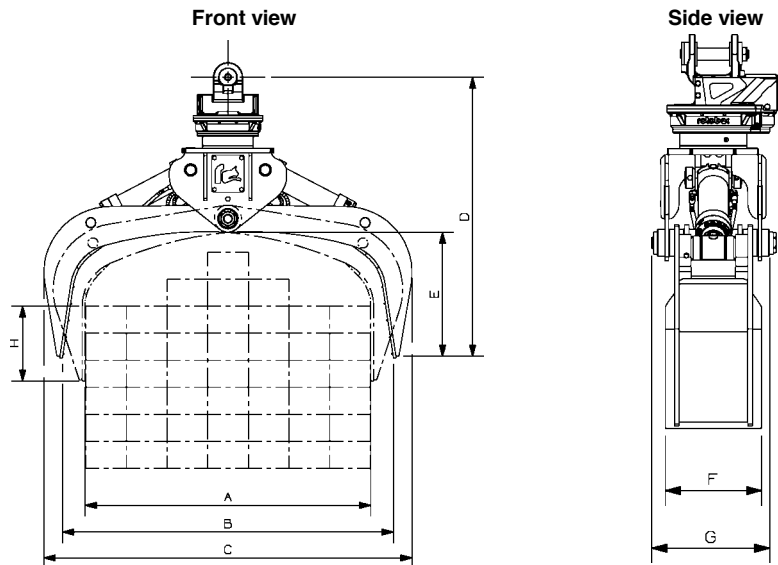
*High tensile strength steel: 165,000 psi (1138 MPa)

Rotator	Maximum pressure: 5000 psi (345 bars)	Recommended flow: 9 gpm (34 l/min.)
Rotator recommended flow will produce a speed of 30 rpm.		

Cylinder	Diameter	Recommended pressure	Pressure range	Flow range	Lock valves
Standard	4" (102 mm)	3000 psi (207 bars)	2500 - 5000 psi (172 - 345 bars)	22 - 33 gpm (83 - 125 l/min.)	yes

Grapple cylinder maximum flow will theoretically produce a complete grapple open/close cycle in 4 seconds.

Reference	Dimension
A	72 1/2 in. (1842 mm)
B	83 in. (2108 mm)
C	90 in. (2286 mm)
D	68 7/8 in. (1750 mm)
E	29 1/8 in. (740 mm)
F	16 in. (407 mm)
G	20 3/4 in. (528 mm)
H	18 1/2 in. (470 mm)



web site: www.rotobec.com

e-mail: rotobec@rotobec.com

Rotobec Inc.: Head office serving OEM's and Eastern Canada
 Rotobec West: Branch serving Western Canada and Western USA
 Rotobec USA: Branch serving Eastern and Central USA

Ph: (418) 383-3002 Fax: (418) 383-5334
 Ph: (250) 765-1161 Fax: (250) 765-0035
 Ph: (603) 444-2103 Fax: (603) 444-0327