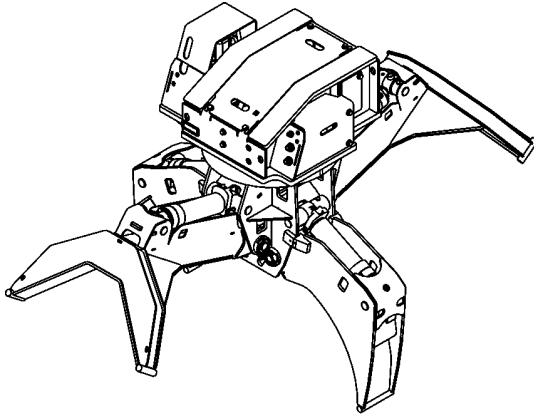




ROTOBEC™

Butt'n top grapple, tree length - Sorting

B325S with rotator RGP-1306



Opening	61 1/4 in. (1556 mm)
Closing	11 in. (279 mm)
Volume	0.74 cord of 27 ft. wood
Area tip to tip	3.5 sq. ft. (.33 sq. meter)
Rotator lifting capacity	130000 lb (58968 kg)
Torque at relief pressure	176750 in. lb (19972 Nm) @ 2200 psi (152 bars)
Steel* thickness	
Weight	4135 lb (1876 kg)

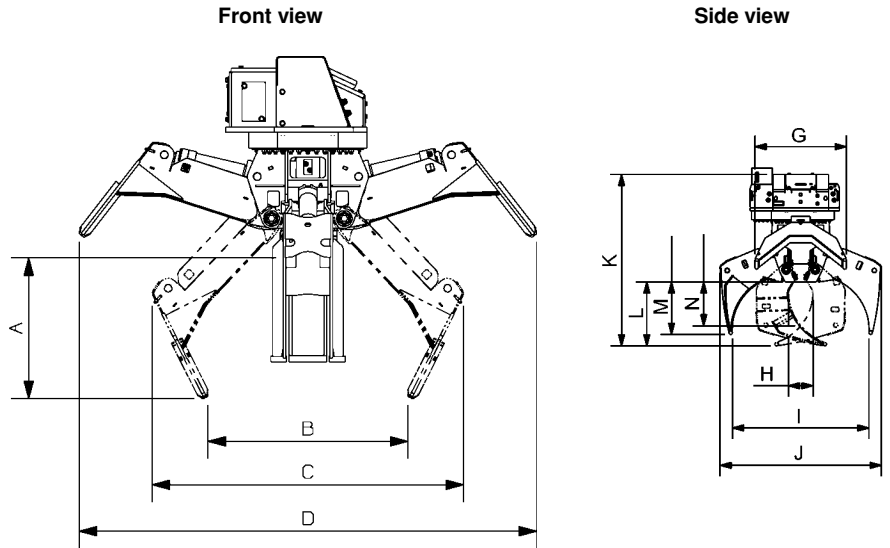
*High tensile strength steel: 165,000 psi (1138 MPa)

Rotator	Maximum pressure: 5000 psi (345 bars)	Recommended flow: 33 gpm (125 l/min.)
Rotator recommended flow will produce a speed of 15 rpm.		

Cylinder	Diameter	Recommended pressure	Pressure range	Flow range	Lock valves
Standard	3 1/2" (89 mm)	4250 psi (293 bars)	3500 - 5000 psi (241 - 345 bars)	16 - 24 gpm (61 - 91 l/min.)	no

Grapple cylinder maximum flow will theoretically produce a complete grapple open/close cycle in 4 seconds.

Reference	Dimension
A	36 1/2 in. (927 mm)
B	50 3/4 in. (1289 mm)
C	79 3/4 in. (2026 mm)
D	120 3/4 in. (3067 mm)
G	41 in. (1041 mm)
H	11 in. (279 mm)
I	61 1/4 in. (1556 mm)
J	72 1/4 in. (1835 mm)
K	76 3/4 in. (1949 mm)
L	28 1/2 in. (724 mm)
M	23 1/2 in. (597 mm)
N	19 3/4 in. (502 mm)



* Dimensions vary according to installation.

OPTION: Installation kit. Cylinder tool kit. Custom lugging.
NOTE: Four function electro-hydraulic control valve.

web site: www.rotobec.com

e-mail: rotobec@rotobec.com

Rotobec Inc.: Head office serving OEM's and Eastern Canada
Rotobec West: Branch serving Western Canada and Western USA
Rotobec USA: Branch serving Eastern and Central USA

Ph: (418) 383-3002 Fax: (418) 383-5334
Ph: (250) 765-1161 Fax: (250) 765-0035
Ph: (603) 444-2103 Fax: (603) 444-0327