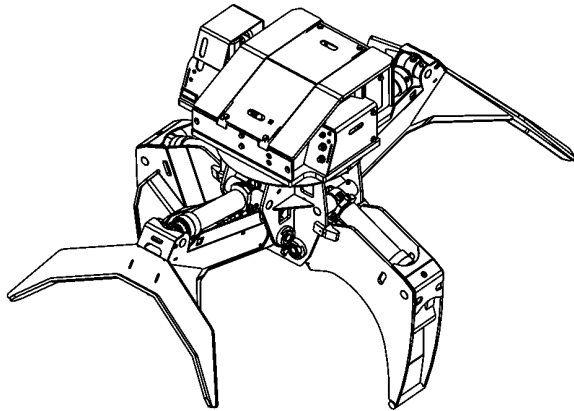




ROTOBEC™

Butt'n top grapple, tree length - Bunching

B370B with rotator RGP-1306



Opening	54 3/4 in. (1391 mm)
Closing	13 1/2 in. (343 mm)
Volume	0.85 cord of 27 ft. wood
Area tip to tip	4 sq. ft. (.37 sq. meter)
Rotator lifting capacity	130000 lb (58968 kg)
Torque at relief pressure	176750 in. lb (19972 Nm) @ 2200 psi (152 bars)
Steel* thickness	
Weight	4135 lb (1876 kg)

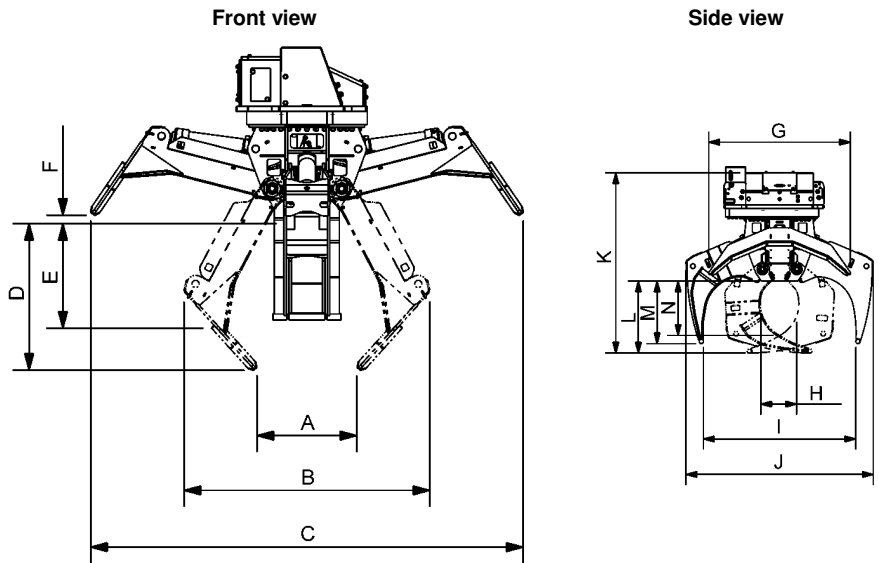
*High tensile strength steel: 165,000 psi (1138 MPa)

Rotator	Maximum pressure: 5000 psi (345 bars)	Recommended flow: 33 gpm (125 l/min.)
Rotator recommended flow will produce a speed of 15 rpm.		

Cylinder	Diameter	Recommended pressure	Pressure range	Flow range	Lock valves
Standard	3 1/2" (89 mm)	4250 psi (293 bars)	3500 - 5000 psi (241 - 345 bars)	16 - 24 gpm (61 - 91 l/min.)	no

Grapple cylinder maximum flow will theoretically produce a complete grapple open/close cycle in 4 seconds.

Reference	Dimension
A	50 3/4 in. (1289 mm)
B	79 1/4 in. (2013 mm)
C	116 1/4 in. (2953 mm)
D	35 3/4 in. (908 mm)
E	22 1/2 in. (572 mm)
F	5 1/4 in. (133 mm)
G	54 in. (1372 mm)
H	13 1/2 in. (343 mm)
I	54 3/4 in. (1391 mm)
J	72 1/2 in. (1842 mm)
K	73 3/4 in. (1873 mm)
L	25 3/4 in. (654 mm)
M	24 in. (610 mm)
N	19 1/2 in. (495 mm)



* Dimensions vary according to installation.

OPTION: Installation kit. Cylinder tool kit. Custom lugging.
NOTE: Four function electro-hydraulic control valve.

web site: www.rotobec.com

e-mail: rotobec@rotobec.com

Rotobec Inc.: Head office serving OEM's and Eastern Canada
Rotobec West: Branch serving Western Canada and Western USA
Rotobec USA: Branch serving Eastern and Central USA

Ph: (418) 383-3002 Fax: (418) 383-5334
Ph: (250) 765-1161 Fax: (250) 765-0035
Ph: (603) 444-2103 Fax: (603) 444-0327