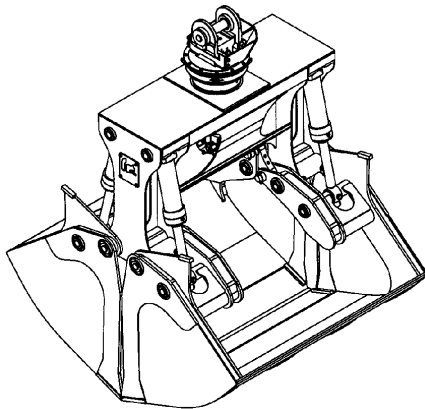




# Clamshell Bucket

## CSB300HD with rotator RT-1002-STD



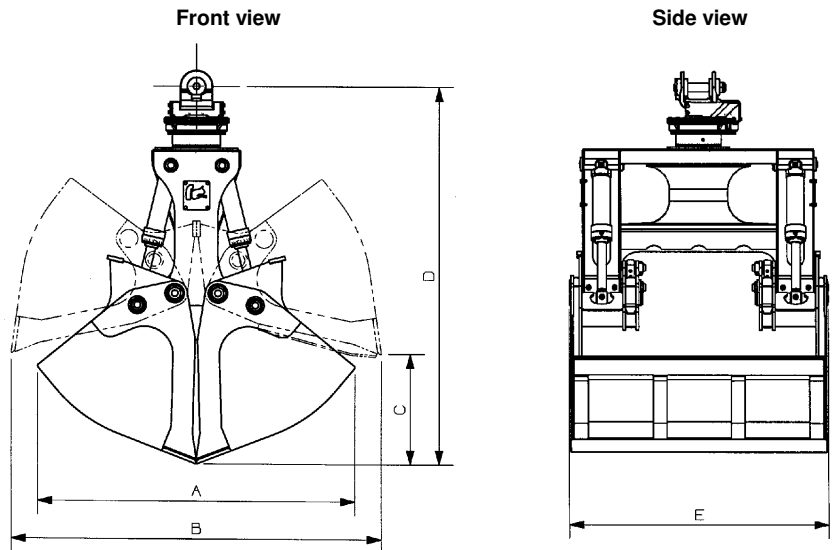
<b>Opening</b>	94 1/2 in. (2400 mm)	
<b>Volume</b>	3.00 cubic yards	2.30 cubic meters
<b>Rotator lifting capacity</b>	100000 lb (45360 kg)	
<b>Torque at relief pressure</b>	22360 in.lb (2527 Nm)	@ 1450 psi (100 bars)
<b>Weight</b>	6712 lb (3045 kg)	

<b>Rotator</b>	<b>Maximum pressure:</b> 5000 psi (345 bars)	<b>Recommended flow:</b> 8 gpm (30 l/min.)
Rotator recommended flow will produce a speed of 20 rpm.		

Cylinder	Diameter	Recommended pressure	Pressure range	Flow range	Lock valves
Standard	4" (102 mm)	3500 psi (241 bars)	2500 - 4500 psi (172 - 310 bars)	37 - 50 gpm (136 - 189 l/min.)	no

Grapple cylinder maximum flow will theoretically produce a complete grapple open/close cycle in 6 seconds.

Reference	Dimension
A	82 1/4 in. (2089 mm)
B	94 1/2 in. (2400 mm)
C	27 3/4 in. (705 mm)
D	104 1/4 in. (2648 mm)
E	75 3/8 in. (1915 mm)



web site: [www.rotobec.com](http://www.rotobec.com)

e-mail: [rotobec@rotobec.com](mailto:rotobec@rotobec.com)

Rotobec Inc.: Head office serving OEM's and Eastern Canada  
 Rotobec West: Branch serving Western Canada and Western USA  
 Rotobec USA: Branch serving Eastern and Central USA

Ph: (418) 383-3002      Fax: (418) 383-5334  
 Ph: (250) 765-1161      Fax: (250) 765-0035  
 Ph: (603) 444-2103      Fax: (603) 444-0327