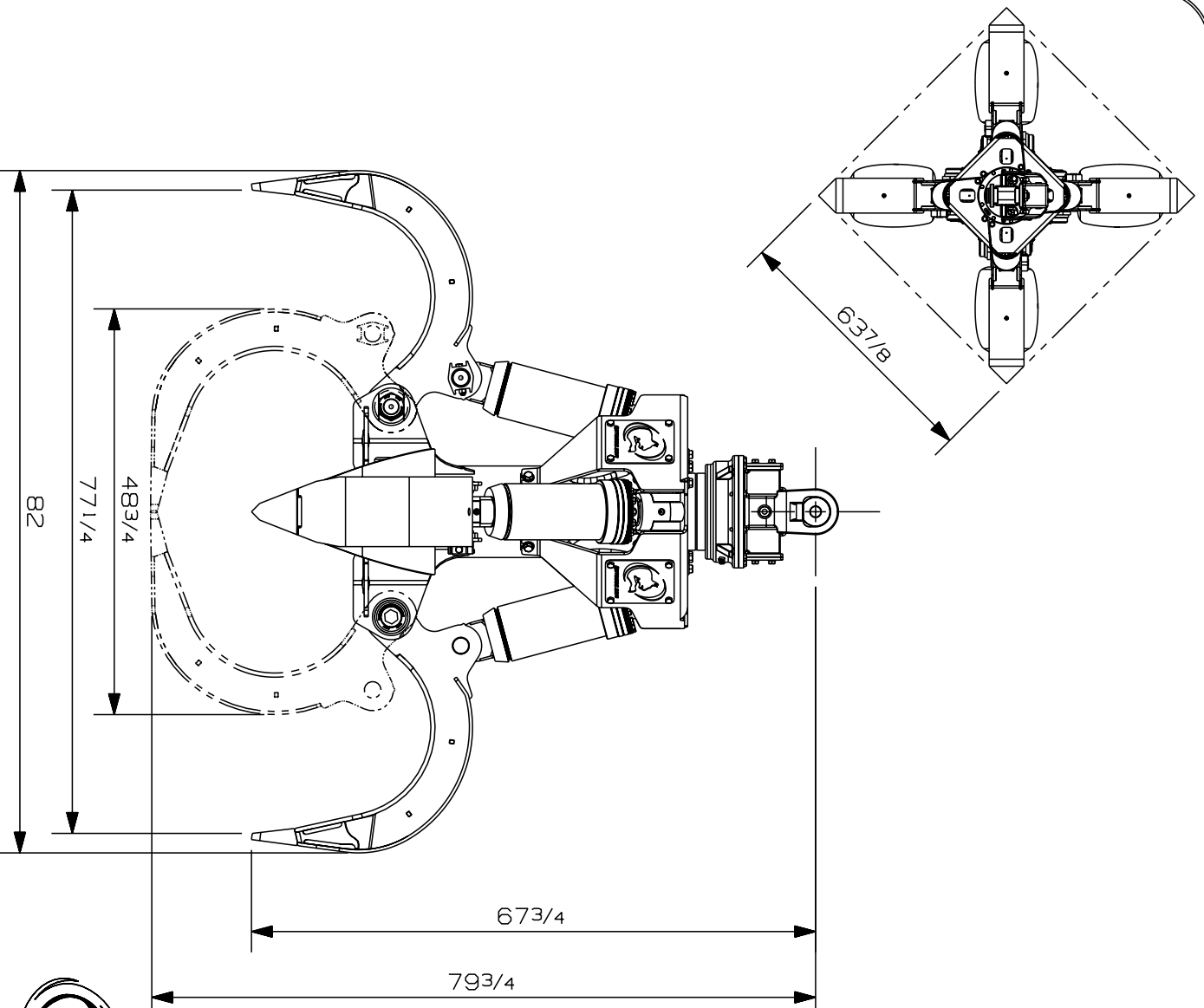


GRAPPIN ^{VA} ORANGE PEEL ^{VA}
 OP45050 - C
 RT - 322 - OR4 - 1
 ORANGE PEEL GRAPPLE

SPECIFICATION TECHNIQUE
 TECHNICAL DATA

| | |
|--------------------|---------------------|
| CAPACITE: | 0.38 m ³ |
| CAPACITY: | 0.50 y ³ |
| ACIER: | CHT - 360 |
| STEEL: | |
| POIDS: | 2605 lbs |
| WEIGHT: | |
| DIA. DU CYLINDRE: | 3" |
| CYLINDER DIAMETER: | |
| PRESSION MAXIMUM: | 5000 PSI |
| MAXIMUM PRESSURE: | |
| DEBIT MAXIMUM: | 29 GPM |
| MAXIMUM FLOW: | |



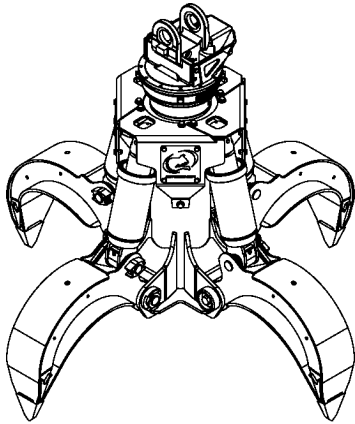
ROTOBECTM

Nous nous reservons le droit de modifier nos specifications et d'ameliorer nos produits sans autre avis ou obligation.
 We reserve the right to change specifications and improve our products without notice or obligation.



Orange Peel Grapple

OP4S-050 with rotator RT-502-OR4



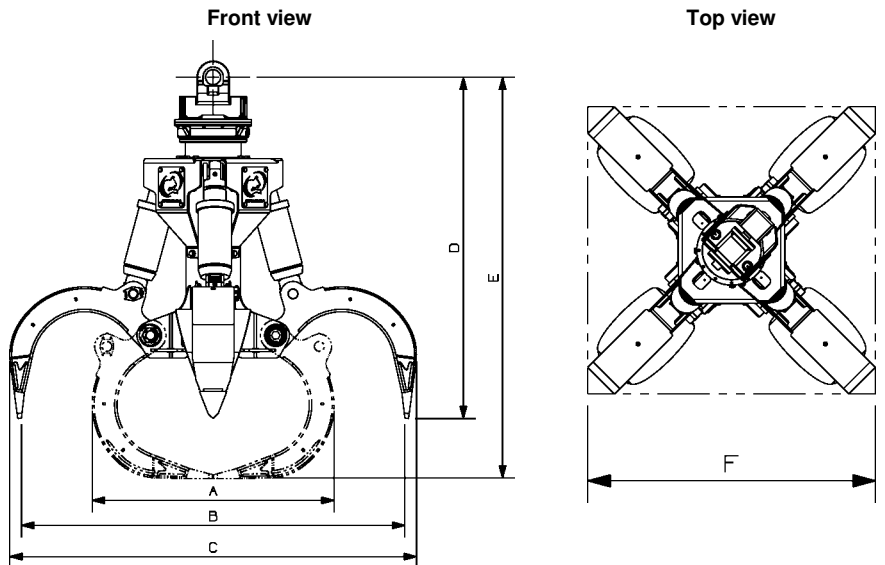
| | | |
|----------------------------------|-----------------------|-----------------------|
| Opening | 77 1/4 in. (1962 mm) | |
| Volume | 0.50 cubic yards | 0.38 cubic meters |
| Rotator lifting capacity | 50000 lb (22680 kg) | |
| Torque at relief pressure | 18630 in.lb (2105 Nm) | @ 1450 psi (100 bars) |
| Weight | 2745 lb (1245 kg) | |

| | | |
|--|--|--|
| Rotator | Maximum pressure: 5000 psi (345 bars) | Recommended flow: 9 gpm (34 l/min.) |
| Rotator recommended flow will produce a speed of 25 rpm. | | |

| Cylinder | Diameter | Recommended pressure | Pressure range | Flow range | Lock valves |
|----------|------------|----------------------|----------------------------------|-------------------------------|-------------|
| Standard | 3" (76 mm) | 4300 psi (297 bars) | 3600 - 5000 psi (248 - 345 bars) | 21 - 29 gpm (79 - 110 l/min.) | no |
| | | | | | |
| | | | | | |
| | | | | | |

Grapple cylinder maximum flow will theoretically produce a complete grapple open/close cycle in 5 seconds.

| Reference | Dimension |
|-----------|----------------------|
| A | 48 3/4 in. (1238 mm) |
| B | 77 1/4 in. (1962 mm) |
| C | 82 in. (2083 mm) |
| D | 68 7/8 in. (1749 mm) |
| E | 80 7/8 in. (2054 mm) |
| F | 63 7/8 in. (1622 mm) |
| G | |



web site: www.rotobec.com

e-mail: rotobec@rotobec.com

Rotobec Inc.: Head office serving OEM's and Eastern Canada
 Rotobec West: Branch serving Western Canada and Western USA
 Rotobec USA: Branch serving Eastern and Central USA

Ph: (418) 383-3002 Fax: (418) 383-5334
 Ph: (250) 765-1161 Fax: (250) 765-0035
 Ph: (603) 444-2103 Fax: (603) 444-0327