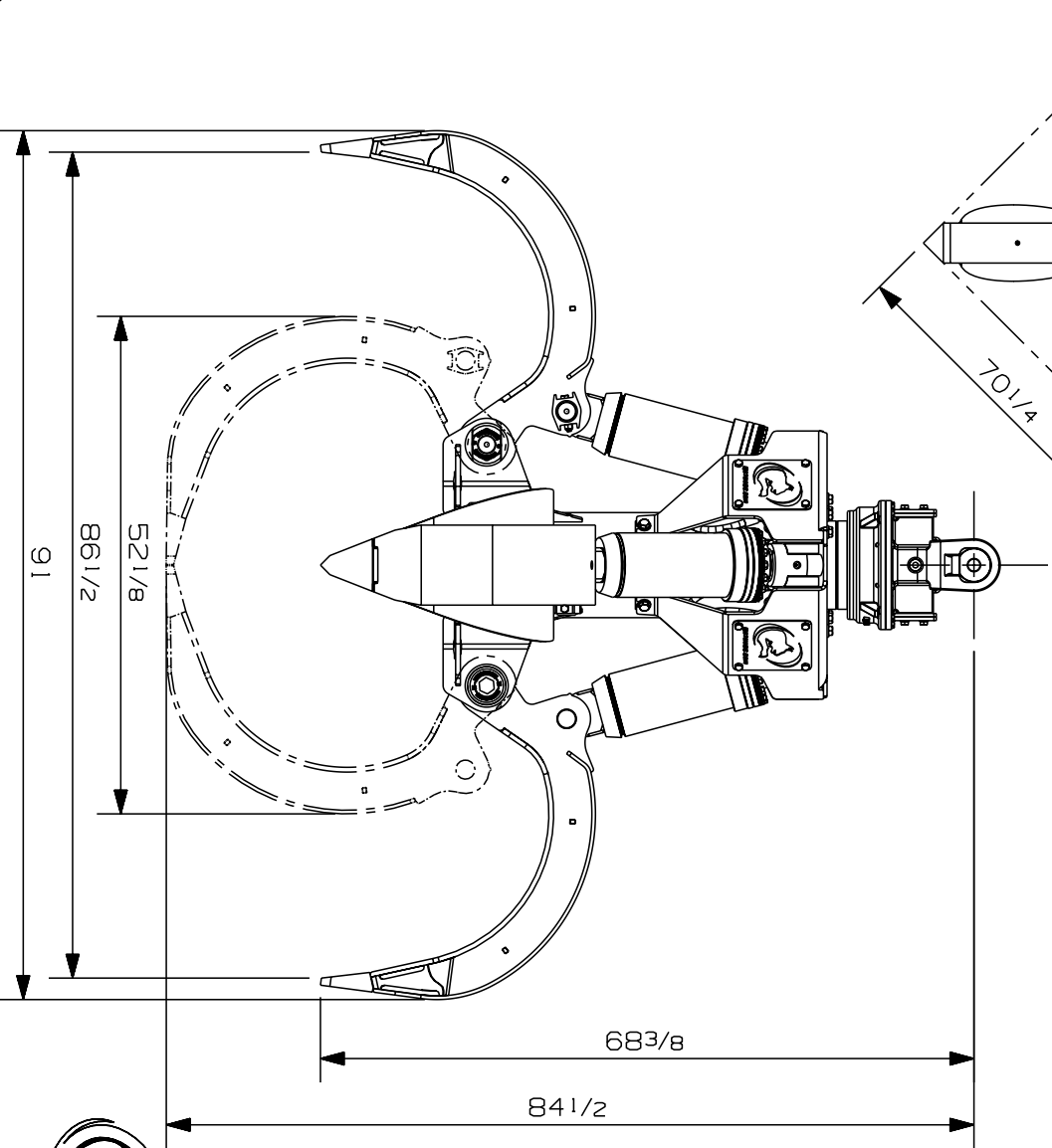


GRAPPIN ^{VA} ORANGE PEEL ^{VA}
 OP45075-B
 RT-322-OR4-1
 ORANGE PEEL GRAPPLE

SPECIFICATION TECHNIQUE
 TECHNICAL DATA

CAPACITE:	0.57 m ³
CAPACITY:	0.75 y ³
ACIER:	CHT -360
STEEL:	
POIDS:	2695 lbs
WEIGHT:	
DIA. DU CYLINDRE:	3"
CYLINDER DIAMETER:	
PRESSION MAXIMUM:	5000 PSI
MAXIMUM PRESSURE:	
DEBIT MAXIMUM:	29 GPM
MAXIMUM FLOW:	



ROTORBECCTM

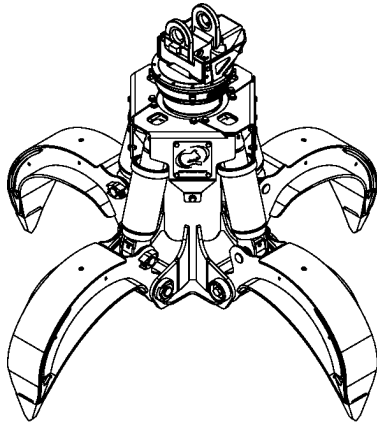
Nous nous reservons le droit de modifier nos specifications et d'ameliorer nos produits sans autre avis ou obligation.
 We reserve the right to change specifications and improve our products without notice or obligation.



ROTOBEC™

Orange Peel Grapple

OP4S-075 with rotator RT-502-OR4



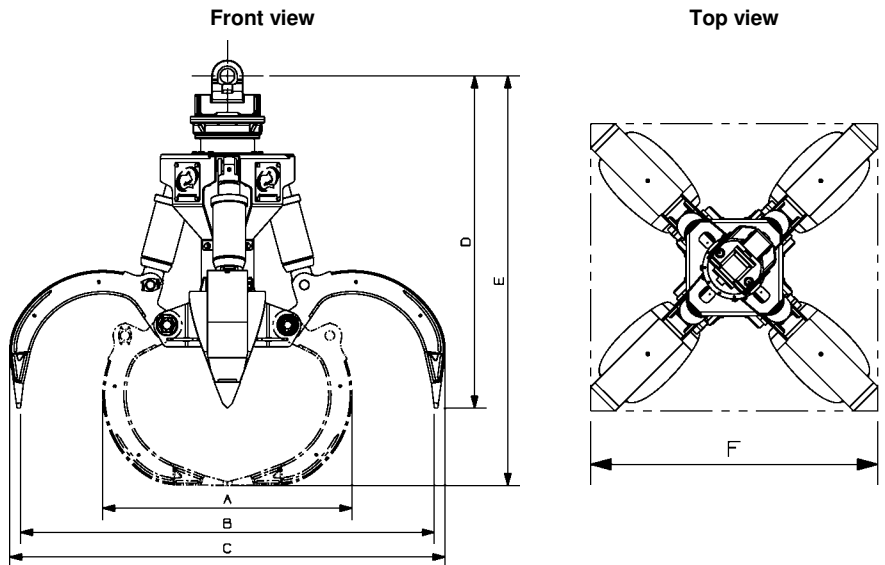
Opening	86 1/2 in. (2197 mm)	
Volume	0.75 cubic yards	0.57 cubic meters
Rotator lifting capacity	50000 lb (22680 kg)	
Torque at relief pressure	18630 in.lb (2105 Nm)	@ 1450 psi (100 bars)
Weight	2835 lb (1286 kg)	

Rotator	Maximum pressure: 5000 psi (345 bars)	Recommended flow: 9 gpm (34 l/min.)
Rotator recommended flow will produce a speed of 25 rpm.		

Cylinder	Diameter	Recommended pressure	Pressure range	Flow range	Lock valves
Standard	3" (76 mm)	4300 psi (297 bars)	3600 - 5000 psi (248 - 345 bars)	21 - 29 gpm (79 - 110 l/min.)	no

Grapple cylinder maximum flow will theoretically produce a complete grapple open/close cycle in 5 seconds.

Reference	Dimension
A	52 1/8 in. (1324 mm)
B	86 1/2 in. (2197 mm)
C	91 in. (2311 mm)
D	69 1/2 in. (1765 mm)
E	85 5/8 in. (2175 mm)
F	70 1/4 in. (1784 mm)
G	



web site: www.rotobec.com

e-mail: rotobec@rotobec.com

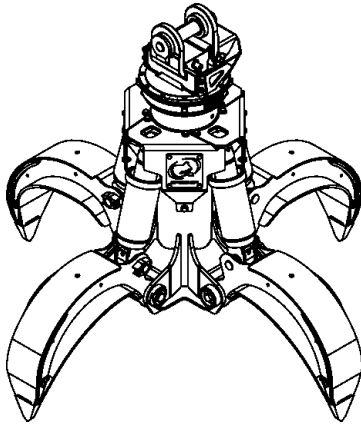
Rotobec Inc.: Head office serving OEM's and Eastern Canada
 Rotobec West: Branch serving Western Canada and Western USA
 Rotobec USA: Branch serving Eastern and Central USA

Ph: (418) 383-3002 Fax: (418) 383-5334
 Ph: (250) 765-1161 Fax: (250) 765-0035
 Ph: (603) 444-2103 Fax: (603) 444-0327



Orange Peel Grapple

OP4S-075 with rotator RT-1002-OR4



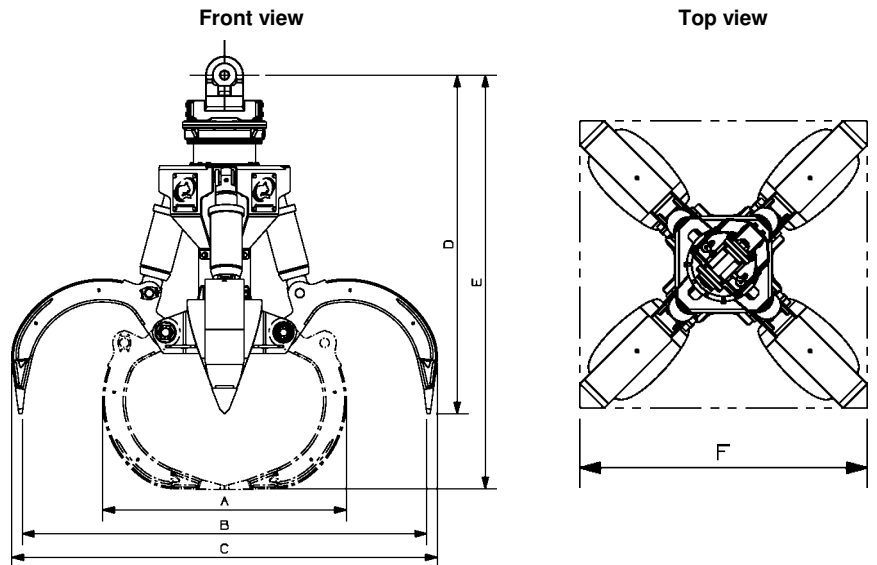
Opening	86 1/2 in. (2197 mm)	
Volume	0.75 cubic yards	0.57 cubic meters
Rotator lifting capacity	100000 lb (45360 kg)	
Torque at relief pressure	22360 in.lb (2527 Nm)	@ 1450 psi (100 bars)
Weight	3040 lb (1379 kg)	

Rotator	Maximum pressure: 5000 psi (345 bars)	Recommended flow: 9 gpm (34 l/min.)
Rotator recommended flow will produce a speed of 20 rpm.		

Cylinder	Diameter	Recommended pressure	Pressure range	Flow range	Lock valves
Standard	3" (76 mm)	4300 psi (297 bars)	3600 - 5000 psi (248 - 345 bars)	21 - 29 gpm (79 - 110 l/min.)	no

Grapple cylinder maximum flow will theoretically produce a complete grapple open/close cycle in 5 seconds.

Reference	Dimension
A	52 1/8 in. (1324 mm)
B	86 1/2 in. (2197 mm)
C	91 in. (2311 mm)
D	72 3/8 in. (1838 mm)
E	88 3/8 in. (2245 mm)
F	70 1/4 in. (1784 mm)
G	



web site: www.rotobec.com

e-mail: rotobec@rotobec.com

Rotobec Inc.: Head office serving OEM's and Eastern Canada
 Rotobec West: Branch serving Western Canada and Western USA
 Rotobec USA: Branch serving Eastern and Central USA

Ph: (418) 383-3002 Fax: (418) 383-5334
 Ph: (250) 765-1161 Fax: (250) 765-0035
 Ph: (603) 444-2103 Fax: (603) 444-0327