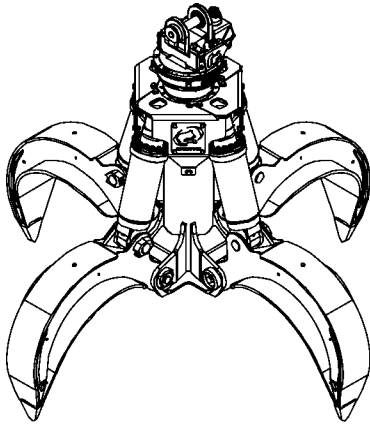




**ROTOBEC™**

# Orange Peel Grapple

## OP4S-125 with rotator RT-502-OR4



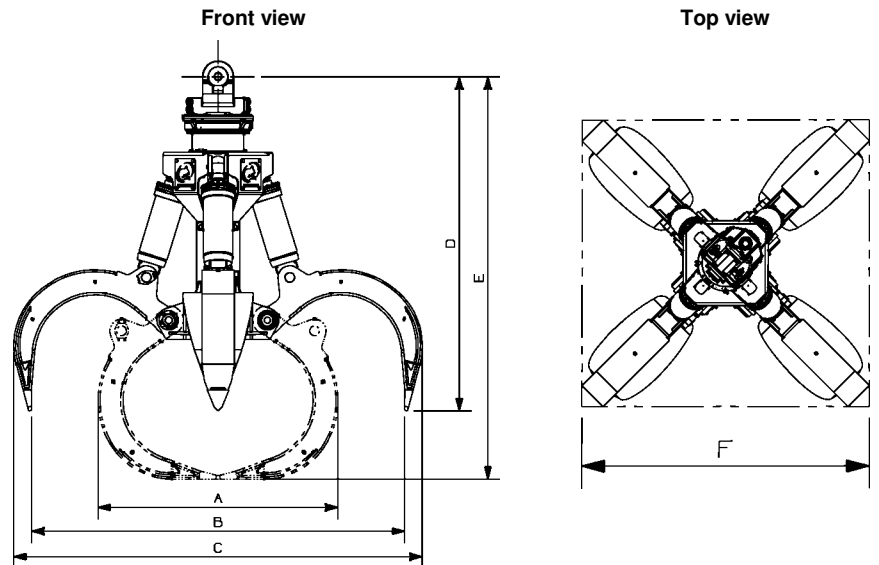
<b>Opening</b>	95 1/2 in. (2426 mm)	
<b>Volume</b>	1.25 cubic yards	0.96 cubic meters
<b>Rotator lifting capacity</b>	50000 lb (22680 kg)	
<b>Torque at relief pressure</b>	18630 in.lb (2105 Nm)	@ 1450 psi (100 bars)
<b>Weight</b>	3970 lb (1801 kg)	

<b>Rotator</b>	<b>Maximum pressure:</b> 5000 psi (345 bars)	<b>Recommended flow:</b> 9 gpm (34 l/min.)
Rotator recommended flow will produce a speed of 25 rpm.		

Cylinder	Diameter	Recommended pressure	Pressure range	Flow range	Lock valves
Standard	3 1/2" (89 mm)	4300 psi (297 bars)	3600 - 5000 psi (248 - 345 bars)	37 - 52 gpm (140 - 197 l/min.)	no

Grapple cylinder maximum flow will theoretically produce a complete grapple open/close cycle in 5 seconds.

Reference	Dimension
A	61 3/8 in. (1559 mm)
B	95 1/2 in. (2426 mm)
C	104 5/8 in. (2657 mm)
D	82 5/8 in. (2099 mm)
E	100 in. (2540 mm)
F	79 7/8 in. (2029 mm)
G	



web site: [www.rotobec.com](http://www.rotobec.com)

e-mail: [rotobec@rotobec.com](mailto:rotobec@rotobec.com)

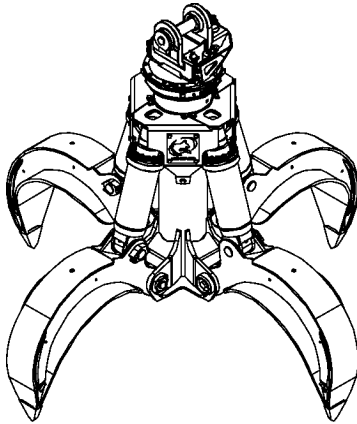
Rotobec Inc.: Head office serving OEM's and Eastern Canada  
 Rotobec West: Branch serving Western Canada and Western USA  
 Rotobec USA: Branch serving Eastern and Central USA

Ph: (418) 383-3002 Fax: (418) 383-5334  
 Ph: (250) 765-1161 Fax: (250) 765-0035  
 Ph: (603) 444-2103 Fax: (603) 444-0327



# Orange Peel Grapple

## OP4S-125 with rotator RT-1002-OR4



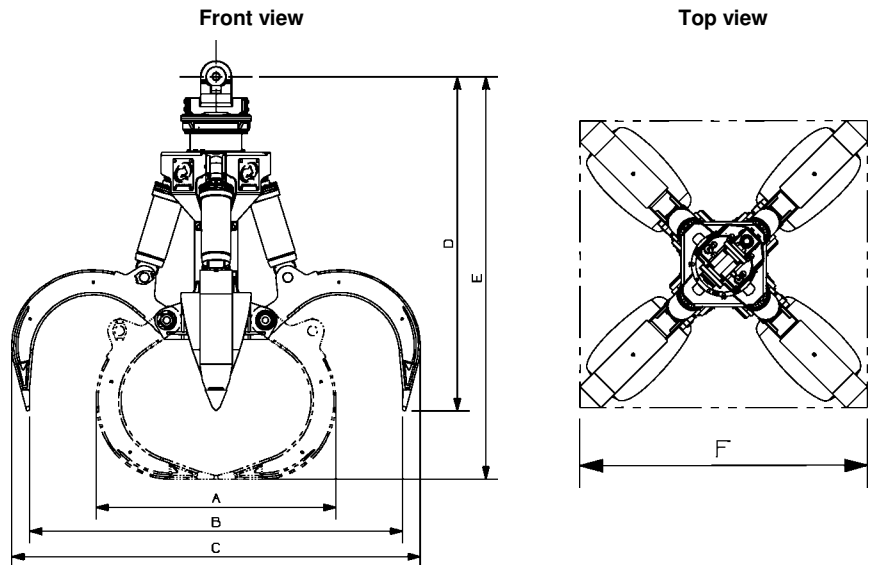
<b>Opening</b>	95 1/2 in. (2426 mm)	
<b>Volume</b>	1.25 cubic yards	0.96 cubic meters
<b>Rotator lifting capacity</b>	100000 lb (45360 kg)	
<b>Torque at relief pressure</b>	22360 in.lb (2527 Nm)	@ 1450 psi (100 bars)
<b>Weight</b>	4175 lb (1894 kg)	

<b>Rotator</b>	<b>Maximum pressure:</b> 5000 psi (345 bars)	<b>Recommended flow:</b> 9 gpm (34 l/min.)
Rotator recommended flow will produce a speed of 20 rpm.		

Cylinder	Diameter	Recommended pressure	Pressure range	Flow range	Lock valves
Standard	3 1/2" (89 mm)	4300 psi (297 bars)	3600 - 5000 psi (248 - 345 bars)	37 - 52 gpm (140 - 197 l/min.)	no

Grapple cylinder maximum flow will theoretically produce a complete grapple open/close cycle in 5 seconds.

Reference	Dimension
A	61 3/8 in. (1559 mm)
B	95 1/2 in. (2426 mm)
C	104 5/8 in. (2657 mm)
D	85 1/2 in. (2172 mm)
E	103 in. (2616 mm)
F	79 7/8 in. (2029 mm)
G	



**web site:** [www.rotobec.com](http://www.rotobec.com)

**e-mail:** [rotobec@rotobec.com](mailto:rotobec@rotobec.com)

Rotobec Inc.: Head office serving OEM's and Eastern Canada  
 Rotobec West: Branch serving Western Canada and Western USA  
 Rotobec USA: Branch serving Eastern and Central USA

Ph: (418) 383-3002      Fax: (418) 383-5334  
 Ph: (250) 765-1161      Fax: (250) 765-0035  
 Ph: (603) 444-2103      Fax: (603) 444-0327