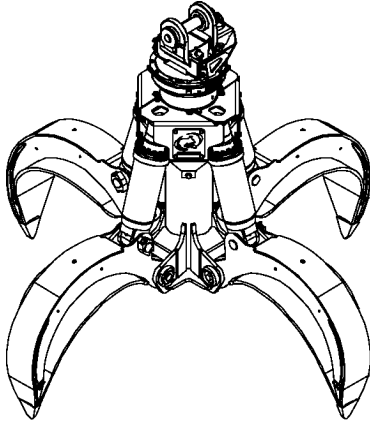




ROTOBEC™

Orange Peel Grapple

OP4S-150 with rotator RT-1002-OR4



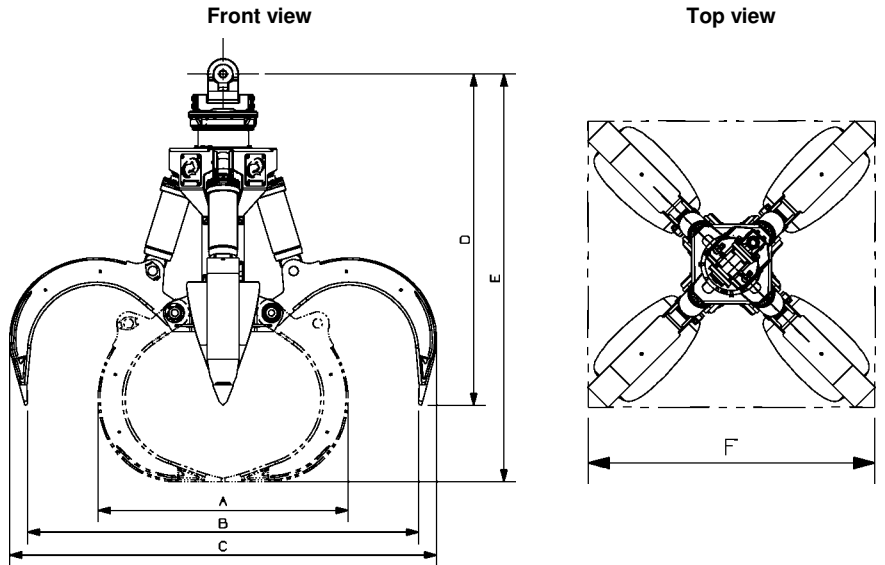
Opening	102 1/8 in. (2594 mm)	
Volume	1.50 cubic yards	1.15 cubic meters
Rotator lifting capacity	100000 lb (45360 kg)	
Torque at relief pressure	22360 in.lb (2527 Nm)	@ 1450 psi (100 bars)
Weight	4445 lb (2016 kg)	

Rotator	Maximum pressure: 5000 psi (345 bars)	Recommended flow: 8 gpm (30 l/min.)
Rotator recommended flow will produce a speed of 20 rpm.		

Cylinder	Diameter	Recommended pressure	Pressure range	Flow range	Lock valves
Standard	3 1/2" (89 mm)	4300 psi (297 bars)	3600 - 5000 psi (248 - 345 bars)	37 - 52 gpm (140 - 197 l/min.)	no

Grapple cylinder maximum flow will theoretically produce a complete grapple open/close cycle in 5 seconds.

Reference	Dimension
A	65 1/4 in. (1657 mm)
B	102 1/8 in. (2594 mm)
C	111 3/8 in. (2829 mm)
D	86 3/8 in. (2194 mm)
E	106 3/8 in. (2702 mm)
F	84 3/4 in. (2153 mm)
G	



web site: www.rotobec.com

e-mail: rotobec@rotobec.com

Rotobec Inc.: Head office serving OEM's and Eastern Canada
 Rotobec West: Branch serving Western Canada and Western USA
 Rotobec USA: Branch serving Eastern and Central USA

Ph: (418) 383-3002 Fax: (418) 383-5334
 Ph: (250) 765-1161 Fax: (250) 765-0035
 Ph: (603) 444-2103 Fax: (603) 444-0327