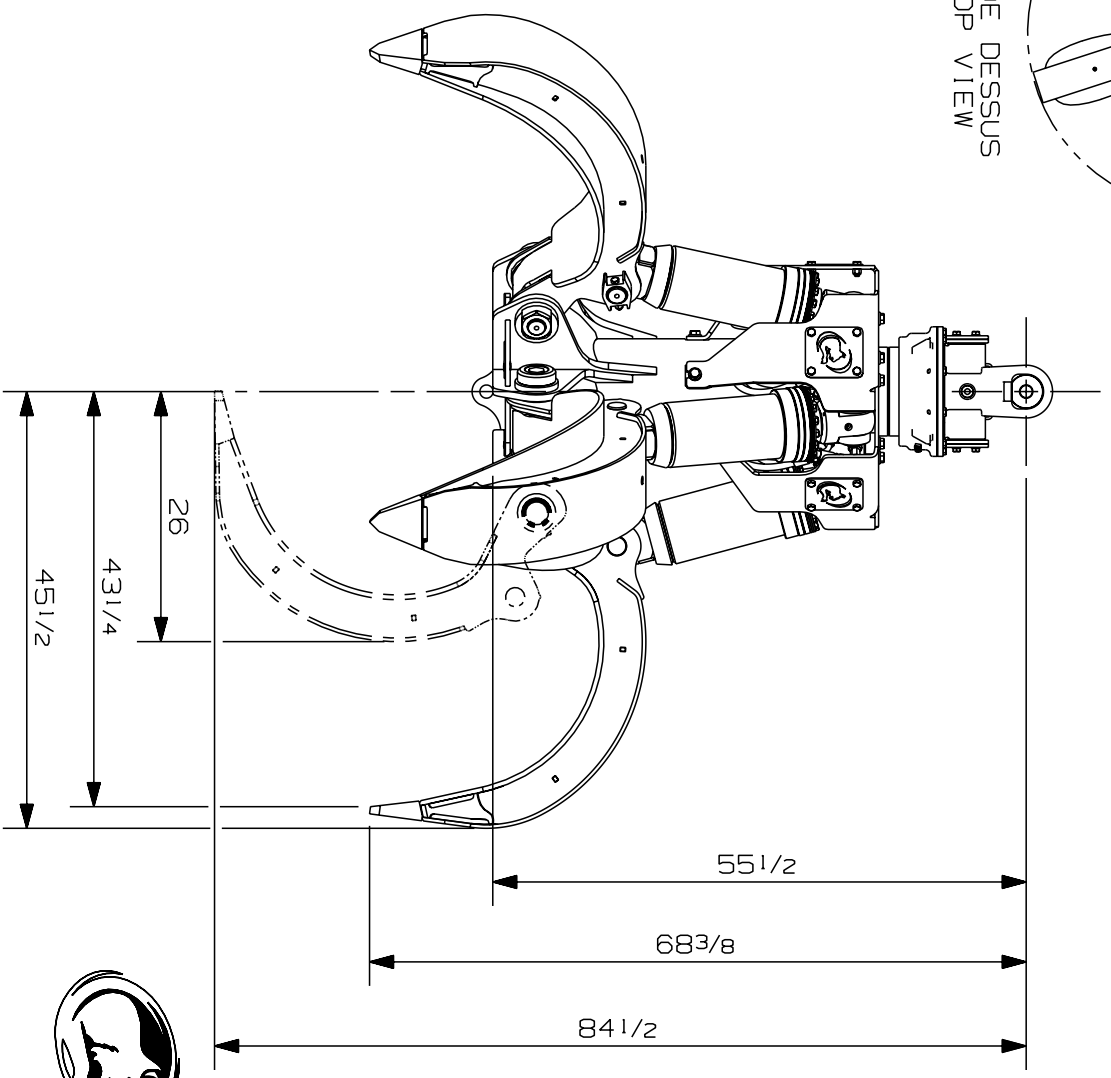


VUE DE DESSUS  
/ TOP VIEW

Ø 92



GRAPPIN "ORANGE PEEL"  
OP55060-B  
RT-322-OR5-1  
ORANGE PEEL GRAPPLE

SPECIFICATION TECHNIQUE  
TECHNICAL DATA

CAPACITE:	0.60 M <sup>3</sup>
CAPACITY:	0.78 Y <sup>3</sup>
ACIER:	CHT 360
POIDS:	3115 lbs
WEIGHT:	
DIA. DU CYLINDRE:	3 PO
CYLINDER DIAMETER:	3 IN
PRESSION MAXIMUM:	5000 PSI
MAXIMUM PRESSURE:	
DEBIT MAXIMUM:	36 GPM
MAXIMUM FLOW:	



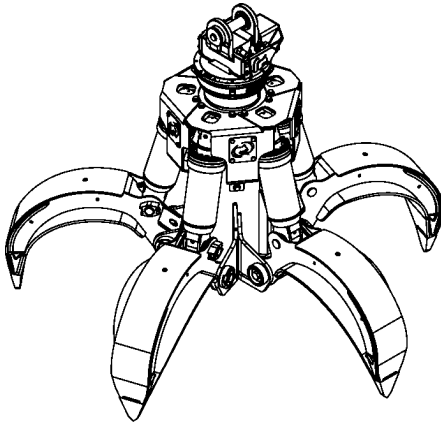
**ROTOBEC**<sup>TM</sup>

Nous nous reservons le droit de modifier nos specifications et d'ameliorer nos produits sans autre avis ou obligation.  
We reserve the right to change specifications and improve our products without notice or obligation.



# Orange Peel Grapple

## OP5S-060 with rotator RT-502-OR5



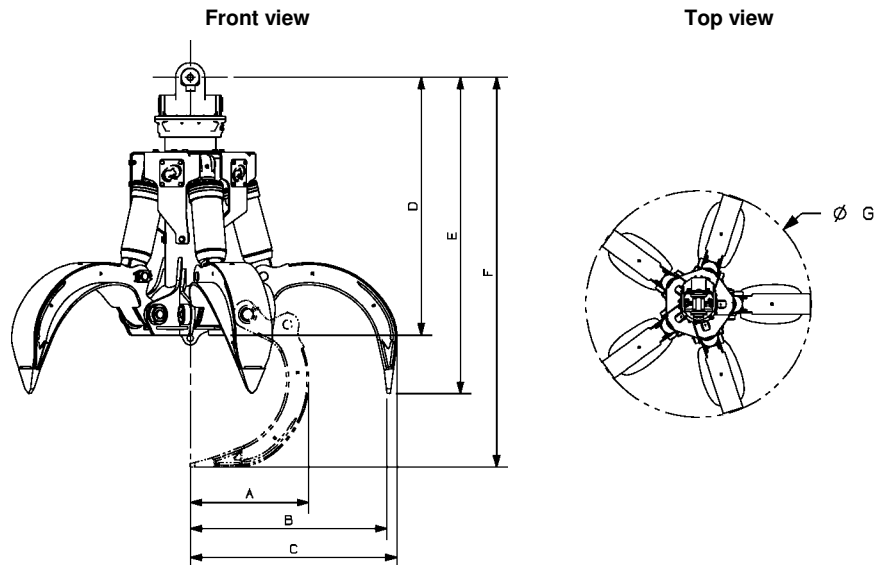
<b>Volume</b>	0.60 cubic meters	0.78 cubic yards
<b>Rotator lifting capacity</b>	50000 lb (22680 kg)	
<b>Torque at relief pressure</b>	18630 in.lb (2105 Nm) @ 1450 psi (100 bars)	
<b>Weight</b>	3255 lb (1476 kg)	

<b>Rotator</b>	<b>Maximum pressure:</b> 5000 psi (345 bars)	<b>Recommended flow:</b> 9 gpm (34 l/min.)
Rotator recommended flow will produce a speed of 25 rpm.		

Cylinder	Diameter	Recommended pressure	Pressure range	Flow range	Lock valves
Standard	3" (76 mm)	4300 psi (297 bars)	3600 - 5000 psi (248 - 345 bars)	26 - 36 gpm (98 - 136 l/min.)	no

Grapple cylinder maximum flow will theoretically produce a complete grapple open/close cycle in 5 seconds.

Reference	Dimension
A	26 in. (660 mm)
B	43 1/4 in. (1099 mm)
C	45 1/2 in. (1156 mm)
D	56 5/8 in. (1438 mm)
E	69 1/2 in. (1765 mm)
F	85 5/8 in. (2175 mm)
G	92 in. (2337 mm)



**web site:** [www.rotobec.com](http://www.rotobec.com)

**e-mail:** [rotobec@rotobec.com](mailto:rotobec@rotobec.com)

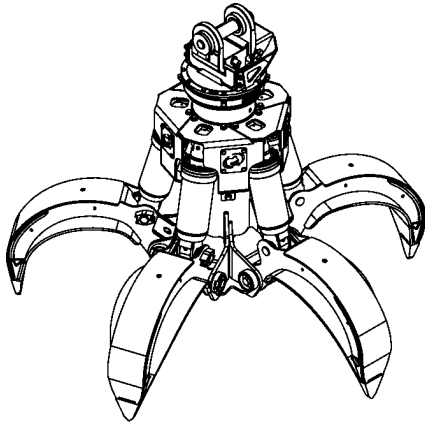
Rotobec Inc.: Head office serving OEM's and Eastern Canada  
 Rotobec West: Branch serving Western Canada and Western USA  
 Rotobec USA: Branch serving Eastern and Central USA

Ph: (418) 383-3002      Fax: (418) 383-5334  
 Ph: (250) 765-1161      Fax: (250) 765-0035  
 Ph: (603) 444-2103      Fax: (603) 444-0327



# Orange Peel Grapple

## OP5S-060 with rotator RT-1002-OR5



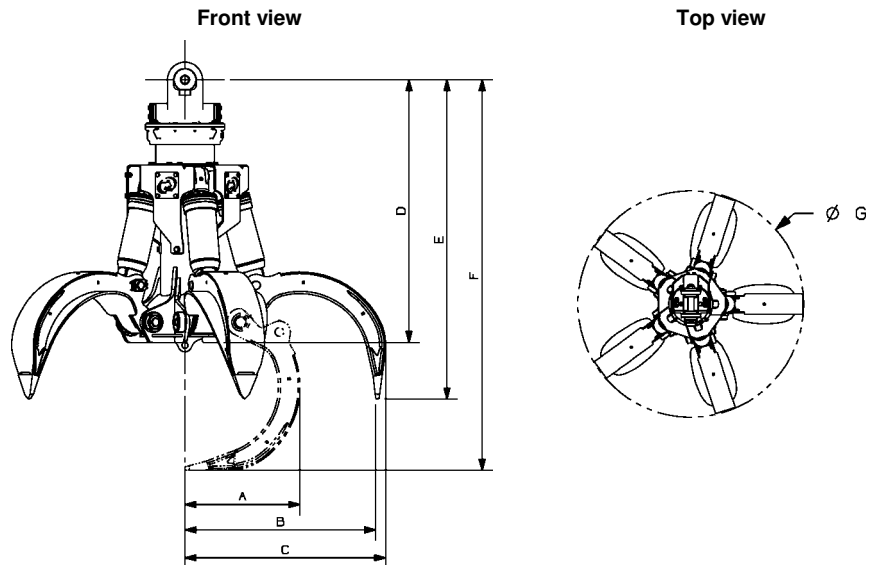
<b>Volume</b>	0.60 cubic meters	0.78 cubic yards
<b>Rotator lifting capacity</b>	100000 lb (45360 kg)	
<b>Torque at relief pressure</b>	22360 in.lb (2527 Nm) @ 1450 psi (100 bars)	
<b>Weight</b>	3460 lb (1569 kg)	

<b>Rotator</b>	<b>Maximum pressure:</b> 5000 psi (345 bars)	<b>Recommended flow:</b> 8 gpm (30 l/min.)
Rotator recommended flow will produce a speed of 20 rpm.		

Cylinder	Diameter	Recommended pressure	Pressure range	Flow range	Lock valves
Standard	3" (76 mm)	4300 psi (297 bars)	3600 - 5000 psi (248 - 345 bars)	26 - 36 gpm (98 - 136 l/min.)	no

Grapple cylinder maximum flow will theoretically produce a complete grapple open/close cycle in 5 seconds.

Reference	Dimension
A	26 in. (660 mm)
B	43 1/4 in. (1099 mm)
C	45 1/2 in. (1156 mm)
D	59 1/2 in. (1511 mm)
E	72 3/8 in. (1838 mm)
F	88 1/2 in. (2248 mm)
G	92 in. (2337 mm)



web site: [www.rotobec.com](http://www.rotobec.com)

e-mail: [rotobec@rotobec.com](mailto:rotobec@rotobec.com)

Rotobec Inc.: Head office serving OEM's and Eastern Canada  
 Rotobec West: Branch serving Western Canada and Western USA  
 Rotobec USA: Branch serving Eastern and Central USA

Ph: (418) 383-3002 Fax: (418) 383-5334  
 Ph: (250) 765-1161 Fax: (250) 765-0035  
 Ph: (603) 444-2103 Fax: (603) 444-0327