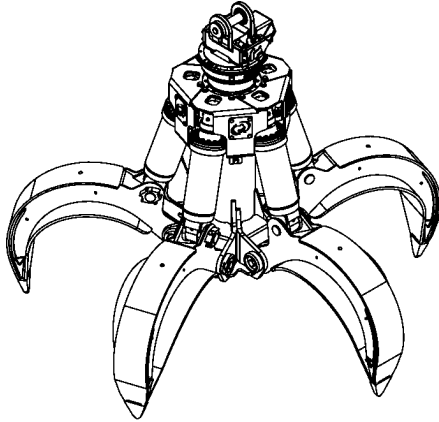




**ROTOBEC™**

# Orange Peel Grapple

## OP5S-090 with rotator RT-502-OR5



**Volume** 0.90 cubic meters 1.18 cubic yards

**Rotator lifting capacity** 50000 lb (22680 kg)

**Torque at relief pressure** 18630 in.lb (2105 Nm) @ 1450 psi (100 bars)

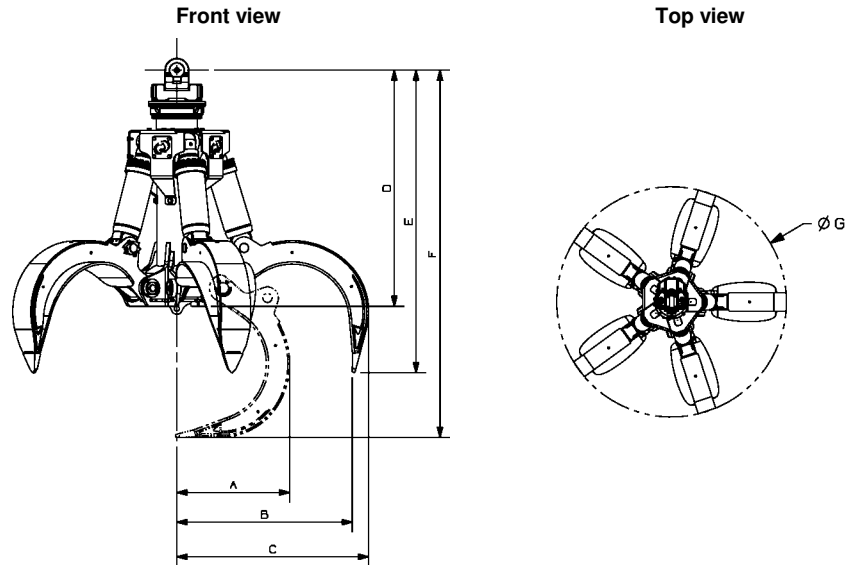
**Weight** 4770 lb (2164 kg)

<b>Rotator</b>	<b>Maximum pressure:</b> 5000 psi (345 bars)	<b>Recommended flow:</b> 9 gpm (34 l/min.)
Rotator recommended flow will produce a speed of 25 rpm.		

Cylinder	Diameter	Recommended pressure	Pressure range	Flow range	Lock valves
Standard	3 1/2" (89 mm)	4300 psi (297 bars)	3600 - 5000 psi (248 - 345 bars)	46 - 64 gpm (174 - 242 l/min.)	no

Grapple cylinder maximum flow will theoretically produce a complete grapple open/close cycle in 5 seconds.

Reference	Dimension
A	30 3/4 in. (781 mm)
B	47 7/8 in. (1216 mm)
C	52 3/8 in. (1330 mm)
D	64 3/8 in. (1635 mm)
E	82 1/2 in. (2096 mm)
F	100 1/8 in. (2543 mm)
G	105 in. (2667 mm)



**web site:** [www.rotobec.com](http://www.rotobec.com)

**e-mail:** [rotobec@rotobec.com](mailto:rotobec@rotobec.com)

Rotobec Inc.: Head office serving OEM's and Eastern Canada  
 Rotobec West: Branch serving Western Canada and Western USA  
 Rotobec USA: Branch serving Eastern and Central USA

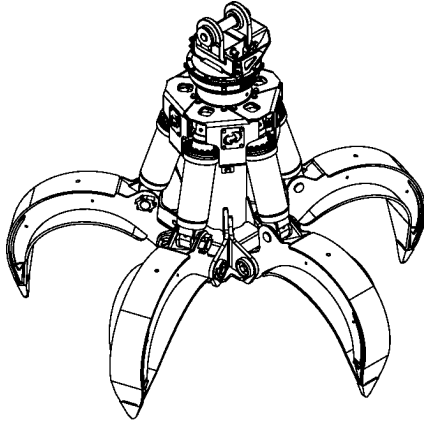
Ph: (418) 383-3002 Fax: (418) 383-5334  
 Ph: (250) 765-1161 Fax: (250) 765-0035  
 Ph: (603) 444-2103 Fax: (603) 444-0327



**ROTOBEC™**

# Orange Peel Grapple

## OP5S-090 with rotator RT-1002-OR5



**Volume** 0.90 cubic meters 1.18 cubic yards

**Rotator lifting capacity** 100000 lb (45360 kg)

**Torque at relief pressure** 22360 in.lb (2527 Nm) @ 1450 psi (100 bars)

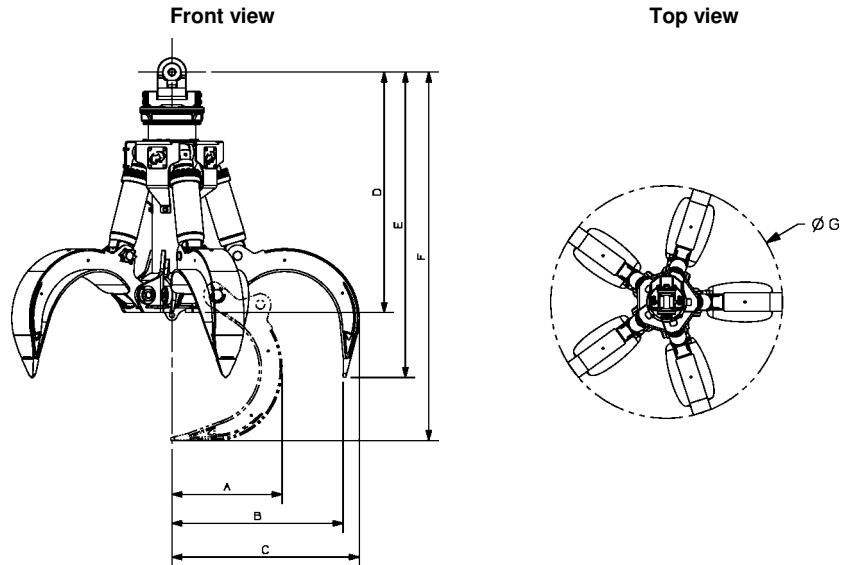
**Weight** 4975 lb (2257 kg)

<b>Rotator</b>	<b>Maximum pressure:</b> 5000 psi (345 bars)	<b>Recommended flow:</b> 8 gpm (30 l/min.)
Rotator recommended flow will produce a speed of 20 rpm.		

Cylinder	Diameter	Recommended pressure	Pressure range	Flow range	Lock valves
Standard	3 1/2" (89 mm)	4300 psi (297 bars)	3600 - 5000 psi (248 - 345 bars)	46 - 64 gpm (174 - 242 l/min.)	no

Grapple cylinder maximum flow will theoretically produce a complete grapple open/close cycle in 5 seconds.

Reference	Dimension
A	30 3/4 in. (781 mm)
B	47 7/8 in. (1216 mm)
C	52 3/8 in. (1330 mm)
D	67 1/4 in. (1708 mm)
E	85 3/8 in. (2169 mm)
F	103 in. (2616 mm)
G	105 in. (2667 mm)



**web site:** [www.rotobec.com](http://www.rotobec.com)

**e-mail:** [rotobec@rotobec.com](mailto:rotobec@rotobec.com)

Rotobec Inc.: Head office serving OEM's and Eastern Canada  
 Rotobec West: Branch serving Western Canada and Western USA  
 Rotobec USA: Branch serving Eastern and Central USA

Ph: (418) 383-3002 Fax: (418) 383-5334  
 Ph: (250) 765-1161 Fax: (250) 765-0035  
 Ph: (603) 444-2103 Fax: (603) 444-0327