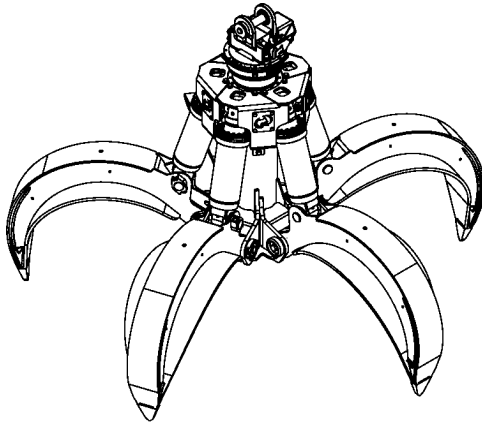




Orange Peel Grapple

OP5S-140 with rotator RT-502-OR5



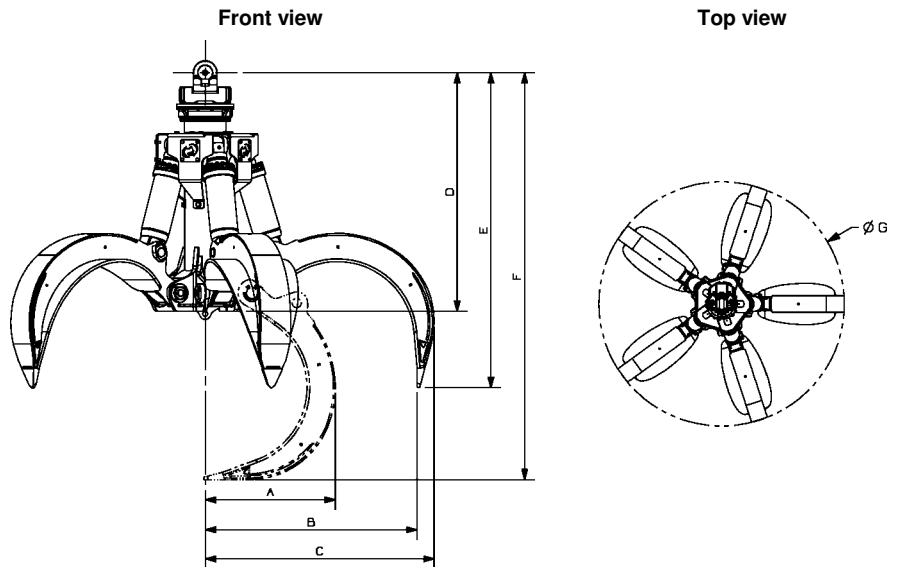
Volume	1.40 cubic meters	1.83 cubic yards
Rotator lifting capacity	50000 lb (22680 kg)	
Torque at relief pressure	18630 in.lb (2105 Nm) @ 1450 psi (100 bars)	
Weight	5455 lb (2474 kg)	

Rotator	Maximum pressure: 5000 psi (345 bars)	Recommended flow: 9 gpm (34 l/min.)
Rotator recommended flow will produce a speed of 25 rpm.		

Cylinder	Diameter	Recommended pressure	Pressure range	Flow range	Lock valves
Standard	3 1/2" (89 mm)	4300 psi (297 bars)	3600 - 5000 psi (248 - 345 bars)	46 - 64 gpm (174 - 242 l/min.)	no

Grapple cylinder maximum flow will theoretically produce a complete grapple open/close cycle in 5 seconds.

Reference	Dimension
A	35 1/8 in. (892 mm)
B	57 1/4 in. (1454 mm)
C	61 7/8 in. (1572 mm)
D	64 3/8 in. (1635 mm)
E	85 in. (2159 mm)
F	109 3/4 in. (2788 mm)
G	124 in. (3150 mm)



web site: www.rotobec.com

e-mail: rotobec@rotobec.com

Rotobec Inc.: Head office serving OEM's and Eastern Canada
 Rotobec West: Branch serving Western Canada and Western USA
 Rotobec USA: Branch serving Eastern and Central USA

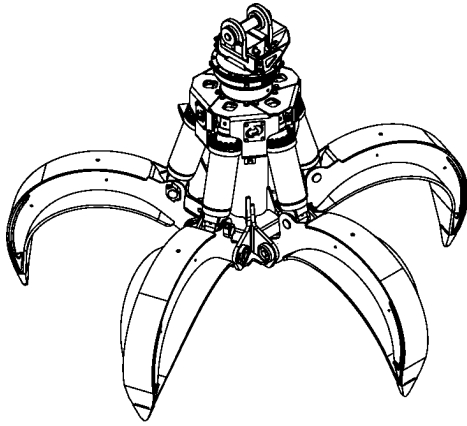
Ph: (418) 383-3002 Fax: (418) 383-5334
 Ph: (250) 765-1161 Fax: (250) 765-0035
 Ph: (603) 444-2103 Fax: (603) 444-0327



ROTOBEC™

Orange Peel Grapple

OP5S-140 with rotator RT-1002-OR5



Volume 1.40 cubic meters 1.83 cubic yards

Rotator lifting capacity 100000 lb (45360 kg)

Torque at relief pressure 22360 in.lb (2527 Nm) @ 1450 psi (100 bars)

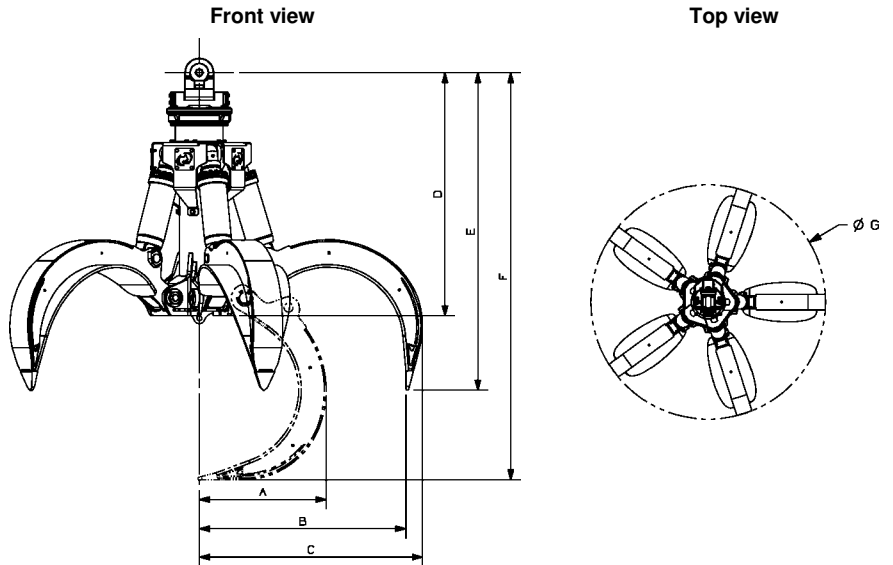
Weight 5660 lb (2567 kg)

Rotator	Maximum pressure: 5000 psi (345 bars)	Recommended flow: 8 gpm (30 l/min.)
Rotator recommended flow will produce a speed of 20 rpm.		

Cylinder	Diameter	Recommended pressure	Pressure range	Flow range	Lock valves
Standard	3 1/2" (89 mm)	4300 psi (297 bars)	3600 - 5000 psi (248 - 345 bars)	46 - 64 gpm (174 - 242 l/min.)	no

Grapple cylinder maximum flow will theoretically produce a complete grapple open/close cycle in 5 seconds.

Reference	Dimension
A	35 1/8 in. (892 mm)
B	57 1/4 in. (1454 mm)
C	61 7/8 in. (1572 mm)
D	67 1/4 in. (1708 mm)
E	87 7/8 in. (2232 mm)
F	112 5/8 in. (2861 mm)
G	124 in. (3150 mm)



web site: www.rotobec.com

e-mail: rotobec@rotobec.com

Rotobec Inc.: Head office serving OEM's and Eastern Canada
 Rotobec West: Branch serving Western Canada and Western USA
 Rotobec USA: Branch serving Eastern and Central USA

Ph: (418) 383-3002 Fax: (418) 383-5334
 Ph: (250) 765-1161 Fax: (250) 765-0035
 Ph: (603) 444-2103 Fax: (603) 444-0327