

MAG GRAPPLE

OPM4S150-B

RT1002E02-OR4

MAGNET 40 PO

SPECIFICATION TECHNIQUE
TECHNICAL DATA

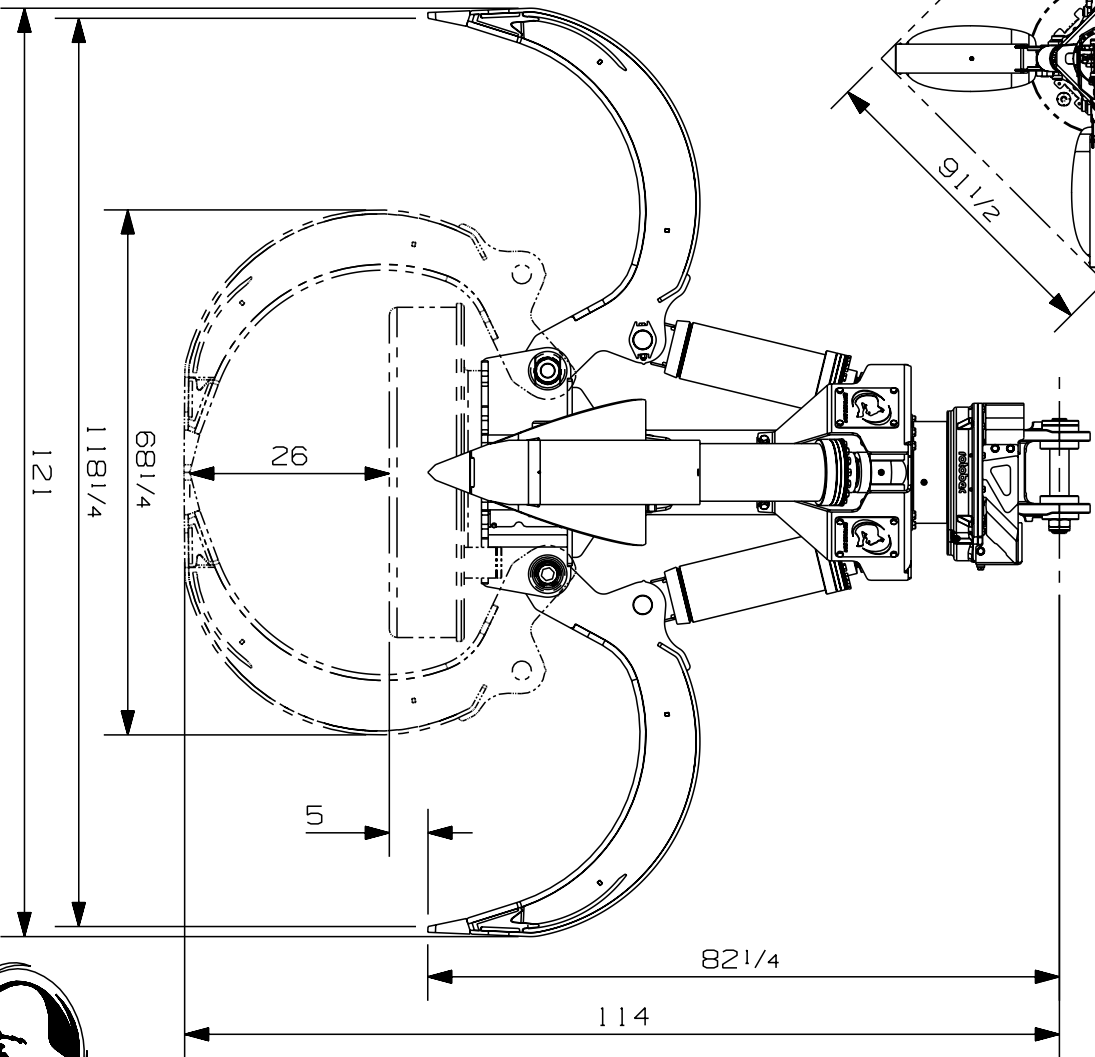
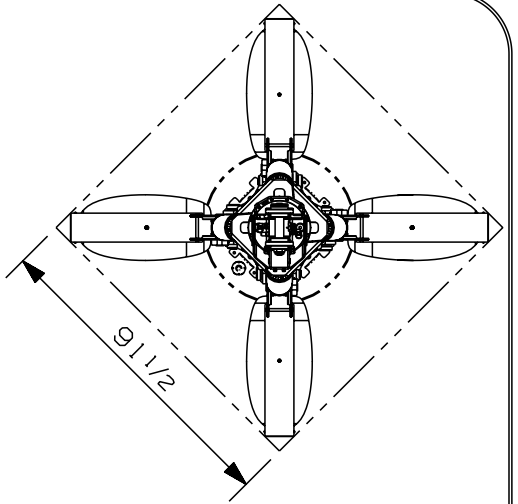
CAPACITE:	1.15 m ³
CAPACITE:	1.50 j ³
POIDS:	6900 lbs
WEIGHT:	
DIA. DU CYLINDRE:	3 1/2"
CYLINDER DIAMETER:	
PRESSION MAXIMUM:	5000 PSI
MAXIMUM PRESSURE:	
DEBIT MAXIMUM:	52 GPM
MAXIMUM FLOW:	
POIDS AIMANT:	1840 lbs
MAGNET WEIGHT:	



ROTOBECTM

Nous nous reservons le droit de modifier nos specifications et d'ameliorer nos produits sans autre avis ou obligation.
We reserve the right to change specifications and improve our products without notice or obligation.

07001-9723/00 (AL TRÉP)
31/05/10
PUB-OPM4S150-B-RT1002E02-OR4_M40



MAG GRAPPLE

OPM4S150-B

RT - 1002E02 - OR4

MAGNET 44 PO

SPECIFICATION TECHNIQUE
TECHNICAL DATA

CAPACITE:	1.15 m ³
CAPACITY:	1.50 y ³
POIDS:	7550 lbs
WEIGHT:	
DIA. DU CYLINDRE:	3 1/2"
CYLINDER DIAMETER:	
PRESSION MAXIMUM:	5000 PSI
MAXIMUM PRESSURE:	
DEBIT MAXIMUM:	52 GPM
MAXIMUM FLOW:	
POIDS AIMANT:	2500 lbs
MAGNET WEIGHT:	



ROTORBEC™

Nous nous reservons le droit de modifier nos specifications et d'ameliorer nos produits sans autre avis ou obligation.
We reserve the right to change specifications and improve our products without notice or obligation.