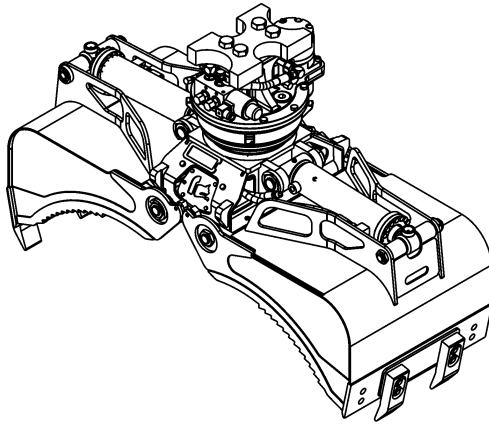




# Mini Power Attachment

## PC018B with rotator RGP-252



|                                  |                       |                     |
|----------------------------------|-----------------------|---------------------|
| <b>Opening</b>                   | 52 in. (1321 mm)      |                     |
| <b>Closing</b>                   | 5 1/2 in. (140 mm)    |                     |
| <b>Volume</b>                    | .18 cubic yards       | 0.14 cubic meters   |
| <b>Rotator lifting capacity</b>  | 25000 lb (11340 kg)   |                     |
| <b>Torque at relief pressure</b> | 15720 in.lb (1776 Nm) | @ 913 psi (63 bars) |
| <b>Steel* thickness</b>          | 1/4" (6 mm)           |                     |
| <b>Weight</b>                    | 830 lb (376 kg)       |                     |

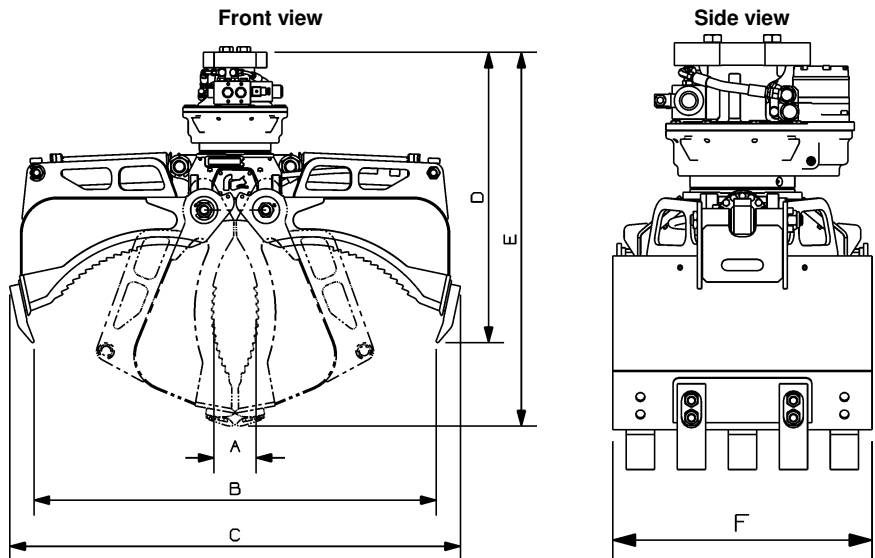
\*High tensile strength steel: 165,000 psi (1138 MPa)

|  |  |   |
|--|--|---|
| <b>Rotator</b>   | <b>Maximum pressure:</b> 4200 psi (290 bars) | <b>Recommended flow:</b> 10 gpm (38 l/min.) |
| Rotator recommended flow will produce a speed of 21 rpm. |  |   |

| Cylinder | Diameter   | Recommended pressure | Pressure range                   | Flow range                  | Lock valves |
|----------|------------|----------------------|----------------------------------|-----------------------------|-------------|
| Standard | 3" (76 mm) | 3700 psi (255 bars)  | 3200 - 4200 psi (221 - 290 bars) | 9 - 13 gpm (34 - 49 l/min.) | no          |
|          |            |                      |                                  |                             |             |
|          |            |                      |                                  |                             |             |
|          |            |                      |                                  |                             |             |

Grapple cylinder maximum flow will theoretically produce a complete grapple open/close cycle in 4 seconds.

| Reference | Dimension            |
|-----------|----------------------|
| A         | 5 1/2 in. (140 mm)   |
| B         | 52 in. (1321 mm)     |
| C         | 58 1/4 in. (1480 mm) |
| D         | 37 1/2 in. (953 mm)  |
| E         | 48 1/4 in. (1226 mm) |
| F         | 22 7/8 in. (581 mm)  |



OPTIONS: Pin-on or quick attach lugging.  
NOTE: Designed to be mounted positioned

web site: [www.rotobec.com](http://www.rotobec.com)

e-mail: [rotobec@rotobec.com](mailto:rotobec@rotobec.com)

Rotobec Inc.: Head office serving OEM's and Eastern Canada  
Rotobec West: Branch serving Western Canada and Western USA  
Rotobec USA: Branch serving Eastern and Central USA

Ph: (418) 383-3002 Fax: (418) 383-5334  
Ph: (250) 765-1161 Fax: (250) 765-0035  
Ph: (603) 444-2103 Fax: (603) 444-0327