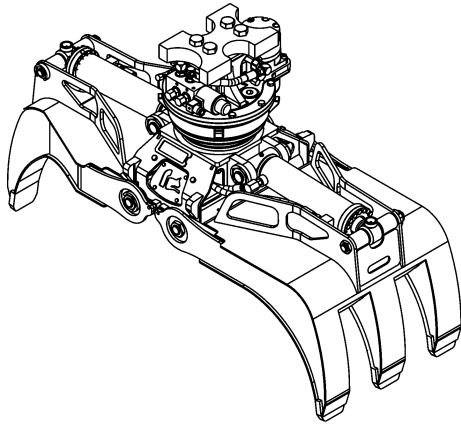




ROTOBEC™

Mini Power Attachment

PC018R with rotator RGP-252



Opening	56 1/4 in. (1429 mm)
Closing	2 3/4 in. (70 mm)
Volume	.22 cubic yards 0.17 cubic meters
Area tip to tip	2 sq. ft. (.19 sq. meter)
Rotator lifting capacity	25000 lb (11340 kg)
Torque at relief pressure	15720 in.lb (1776 Nm) @ 913 psi (63 bars)
Steel* thickness	3/8" (10 mm)
Weight	835 lb (379 kg)

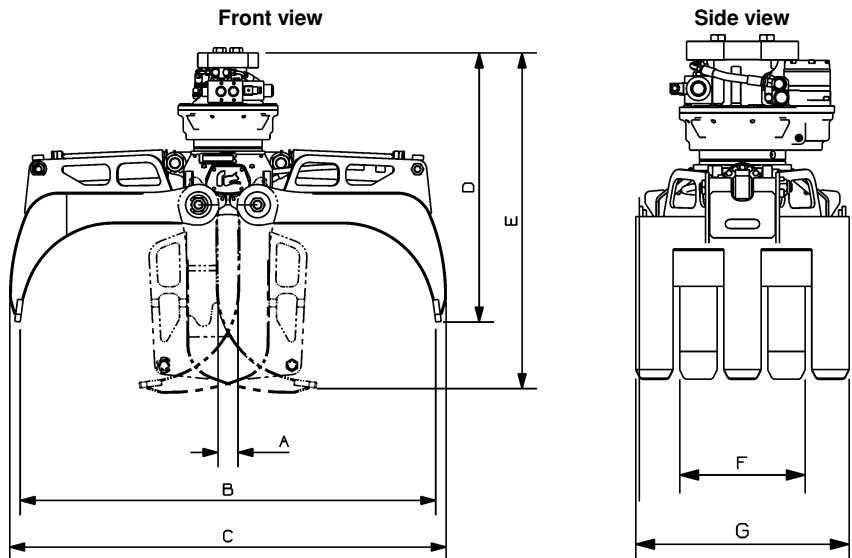
*High tensile strength steel: 165,000 psi (1138 MPa)

Rotator	Maximum pressure: 4200 psi (290 bars)	Recommended flow: 10 gpm (38 l/min.)
Rotator recommended flow will produce a speed of 21 rpm.		

Cylinder	Diameter	Recommended pressure	Pressure range	Flow range	Lock valves
Standard	3" (76 mm)	3700 psi (255 bars)	3200 - 4200 psi (221 - 290 bars)	9 - 13 gpm (34 - 49 l/min.)	no

Grapple cylinder maximum flow will theoretically produce a complete grapple open/close cycle in 4 seconds.

Reference	Dimension
A	5 1/2 in. (140mm)
B	56 1/4 in. (1429 mm)
C	59 in. (1499 mm)
D	36 3/8 in. (924 mm)
E	45 3/8 in. (1153 mm)
F	13 1/2 in. (343 mm)
G	22 7/8 in. (581 mm)



OPTIONS: Pin-on or quick attach lugging.
NOTE: Designed to be mounted positioned

web site: www.rotobec.com

e-mail: rotobec@rotobec.com

Rotobec Inc.: Head office serving OEM's and Eastern Canada
Rotobec West: Branch serving Western Canada and Western USA
Rotobec USA: Branch serving Eastern and Central USA

Ph: (418) 383-3002 Fax: (418) 383-5334
Ph: (250) 765-1161 Fax: (250) 765-0035
Ph: (603) 444-2103 Fax: (603) 444-0327