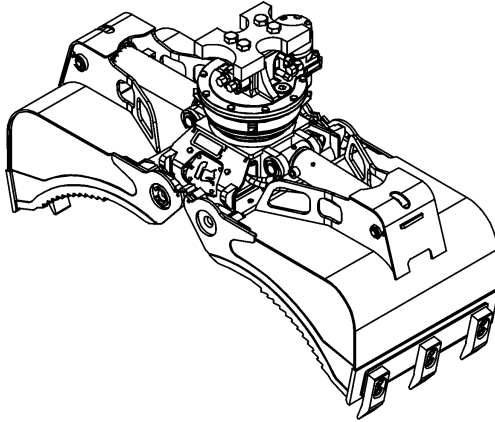




ROTOBEC™

Mini Power Attachment

PC025B with rotator RGP-252



Opening	57 in. (1448 mm)
Closing	6 in. (152 mm)
Volume	.25 cubic yards 0.19 cubic meters
Rotator lifting capacity	25000 lb (11340 kg)
Torque at relief pressure	15720 in.lb (1776 Nm) @ 913 psi (63 bars)
Steel* thickness	1/4" (6 mm)
Weight	930 lb (422 kg)

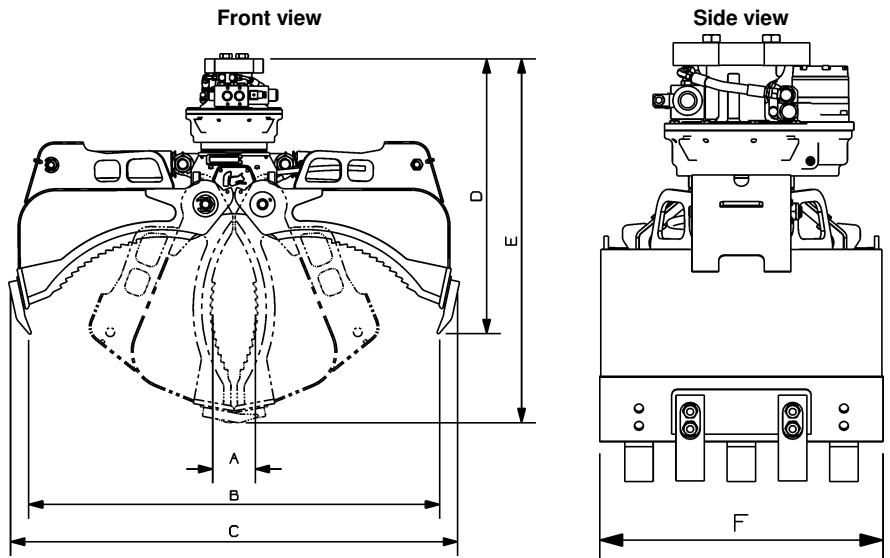
*High tensile strength steel: 165,000 psi (1138 MPa)

Rotator	Maximum pressure: 4200 psi (290 bars)	Recommended flow: 10 gpm (38 l/min.)
Rotator recommended flow will produce a speed of 21 rpm.		

Cylinder	Diameter	Recommended pressure	Pressure range	Flow range	Lock valves
Standard	3" (76 mm)	3700 psi (255 bars)	3200 - 4200 psi (221 - 290 bars)	9 - 13 gpm (34 - 49 l/min.)	no

Grapple cylinder maximum flow will theoretically produce a complete grapple open/close cycle in 4 seconds.

Reference	Dimension
A	6 in. (152 mm)
B	57 in. (1448 mm)
C	63 1/4 in. (1607 mm)
D	38 1/2 in. (9703 mm)
E	51 in. (1295 mm)
F	24 7/8 in. (632 mm)



OPTIONS: Pin-on or quick attach lugging.
NOTE: Designed to be mounted positioned

web site: www.rotobec.com

e-mail: rotobec@rotobec.com

Rotobec Inc.: Head office serving OEM's and Eastern Canada
Rotobec West: Branch serving Western Canada and Western USA
Rotobec USA: Branch serving Eastern and Central USA

Ph: (418) 383-3002 Fax: (418) 383-5334
Ph: (250) 765-1161 Fax: (250) 765-0035
Ph: (603) 444-2103 Fax: (603) 444-0327